

1

2

3

4

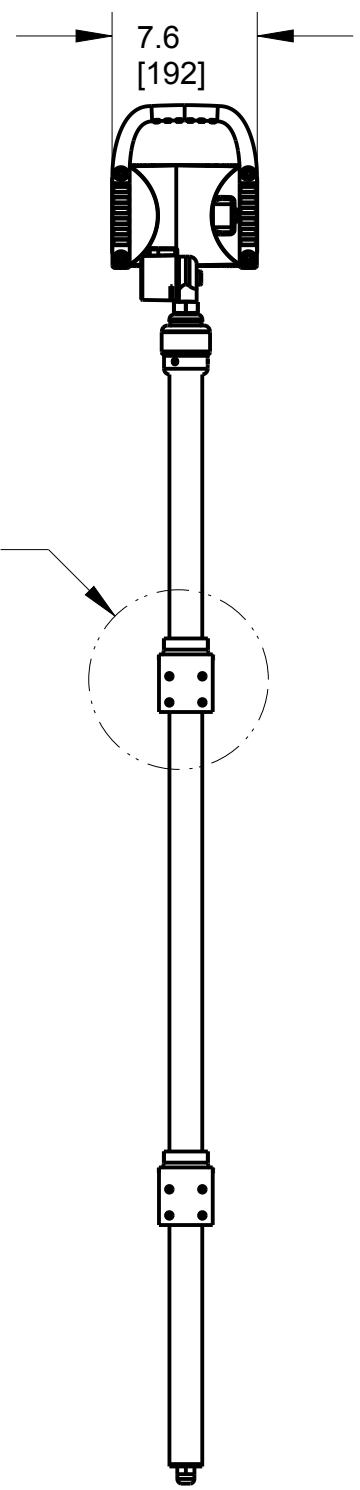
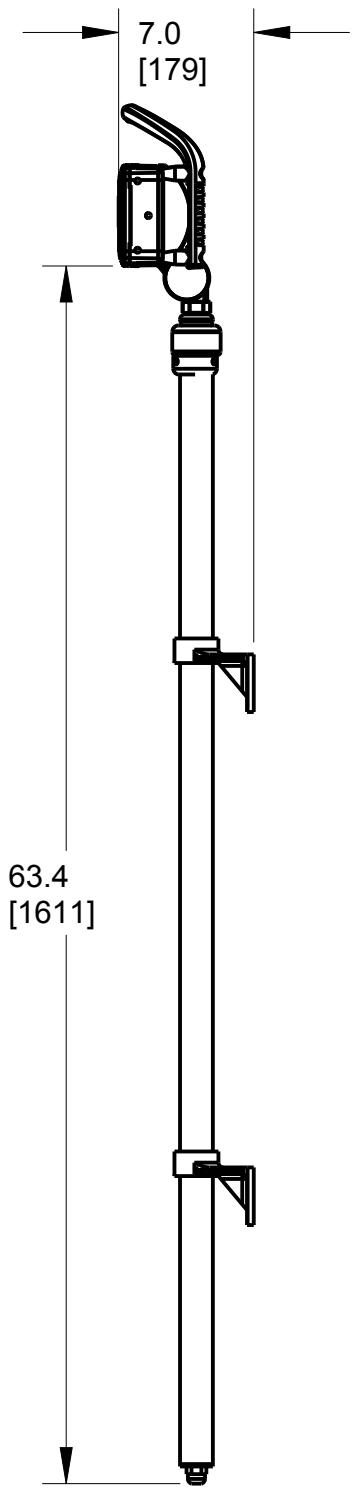
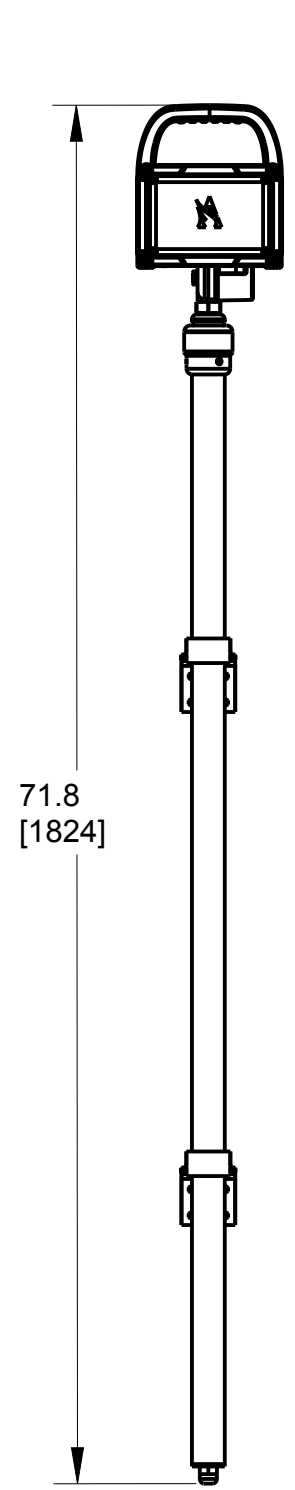
Chg.	Description	Date	Approved
01	DRAWING RELEASE	5/15	

A

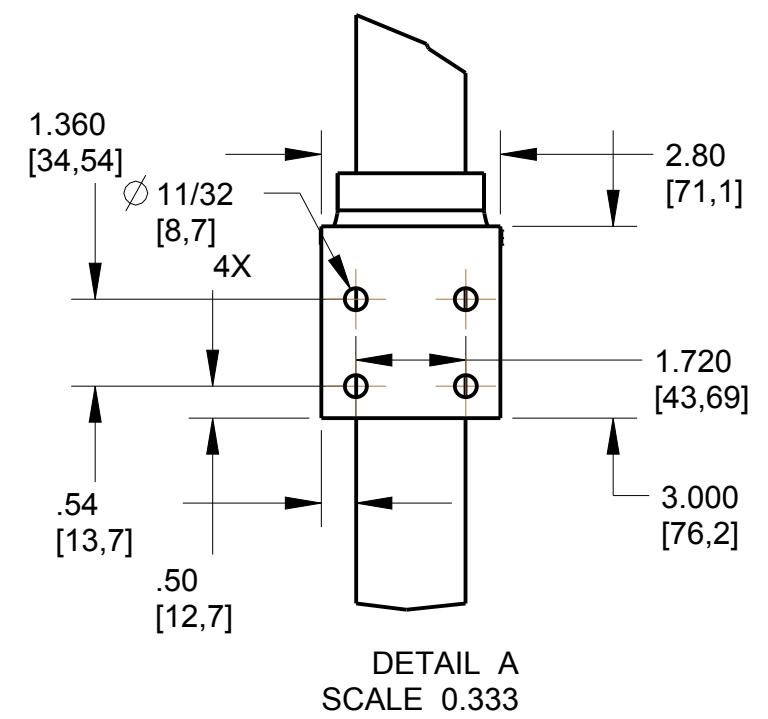
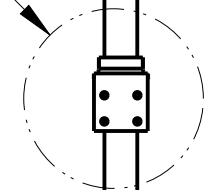
B

C

D



SEE DETAIL A



- NOTES:
1. DRAWING SHOWS MAXIMUM POLE LENGTH.
 2. MAXIMUM INNER POLE LENGTH IS 48" (1219 mm)
MAXIMUM OUTER POLE LENGTH IS 58" (1473 mm)
 3. MINIMUM INNER POLE LENGTH IS 7" (203 mm)
MINIMUM OUTER POLE LENGTH IS 17" (431 mm)
 4. 10" (254 mm) BETWEEN THE INNER AND OUTER POLE IS REQUIRED UNLESS A WIRE OUT THE TOP (NOT SHOWN) IS REQUESTED.
 5. ADD TOGETHER THE INNER POLE LENGTH, OUTER POLE LENGTH, HEAD HEIGHT (11" OR 279 mm) AND MINUS 2" (50 mm) TO GET THE OVERALL EXTENDED LENGTH.

NOTICE
This document and the information hereon are confidential and are the EXCLUSIVE PROPERTY of Akron Brass Co., Wooster, Ohio and shall not be REPRODUCED or USED without the prior written consent of Akron Brass Co.

Third Angle Projection

Government I.D. No.: **00912**

- Drawing Notes:
Geometric Tolerances based on ASME Y14.5
ALL of the following notes apply unless otherwise specified:
1. DO NOT SCALE DRAWING
 2. ALL dimensions are in inches.
 3. Tol on all fractions +/- 1/64
 4. Tol on 3 place decimals +/- .005
 5. Tol on 2 place decimals +/- .02
 6. Tol on all angles +/- 1/2°
 7. ALL inside corners to have .005-.035 fillets.
 8. ALL outside corners to have .005-.015 chamfer or radius.
 9. ALL machine surfaces to have 125 finish.
 10. ALL castings to have 250 finish.

Material:

Finish:

Specifications:



Title: **REVEL PULL-UP W/SM2 DIMENSIONS**

Product(s): **REVEL LED**

Style(s): **ELRE**

Design By:		
Drawn By:	CAF	5/15
Apprv'd By:		
Drawing No:	ELRE-SLDC-PU-SM2	
Weight (LBS)	0.000	
Area (SQ.FT.)		
Scale:	0.100	Sheet(s): 1 of 1

Part Number(s): Description(s):