

1

2

3

4

Chg.	Description	Date	Approved
01	DRAWING RELEASE	5/15	

A

B

C

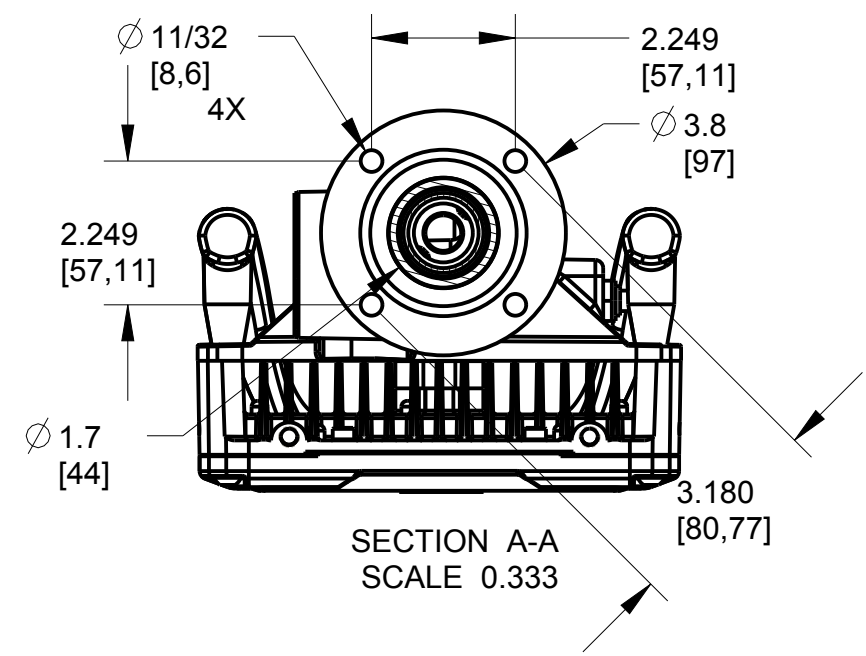
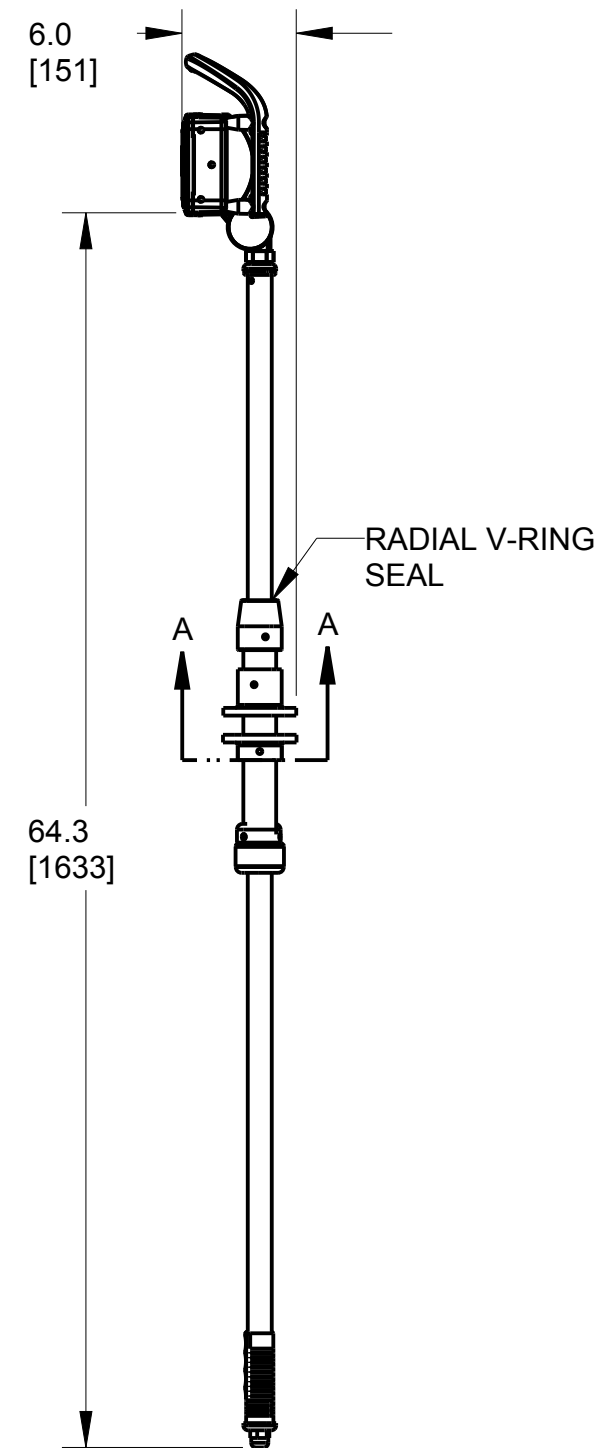
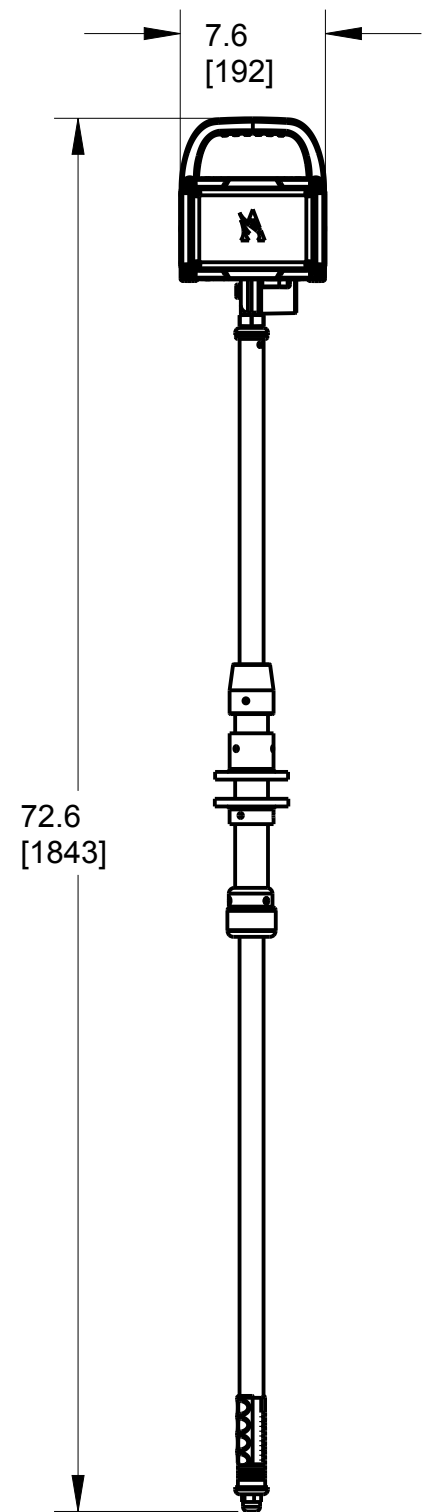
D

A

B

C

D



- NOTES:
1. DRAWING SHOWS MAXIMUM INNER POLE LENGTH.
 2. MAXIMUM INNER POLE LENGTH IS 60" (1524 mm)
MAXIMUM OUTER POLE LENGTH IS 51" (1295 mm)
 3. MINIMUM INNER POLE LENGTH IS 17" (431 mm)
MINIMUM OUTER POLE LENGTH IS 8" (203 mm)
 4. THE OUTER POLE MUST BE AT LEAST 9" SHORTER THE INNER POLE.
 5. BRACKETED DIMENSIONS ARE IN MILLIMETERS.
ALL OTHER DIMENSIONS ARE IN INCHES.

NOTICE
This document and the information hereon are confidential and are the EXCLUSIVE PROPERTY of Akron Brass Co., Wooster, Ohio and shall not be REPRODUCED or USED without the prior written consent of Akron Brass Co.

Third Angle Projection

Government I.D. No.: **00912**

Drawing Notes:
Geometric Tolerances based on ASME Y14.5
ALL of the following notes apply unless otherwise specified:

1. DO NOT SCALE DRAWING
2. ALL dimensions are in inches.
3. Tol on all fractions +/- 1/64
4. Tol on 3 place decimals +/- .005
5. Tol on 2 place decimals +/- .02
6. Tol on all angles +/- 1/2°
7. ALL inside corners to have .005-.035 fillets.
8. ALL outside corners to have .005-.015 chamfer or radius.
9. ALL machine surfaces to have 125 finish.
10. ALL castings to have 250 finish.

Material:

Finish:

Specifications:



Title: **REVEL PUSH-UP W/TR DIMENSIONS**

Product(s): **REVEL LED**

Style(s): **ELRE**

Design By:		
Drawn By:	CAF	5/15
Apprv'd By:		
Drawing No:	ELRE-SLDC-PS-TR	
Weight (LBS)	0.000	
Area (SQ.FT.)		
Scale:	0.100	Sheet(s): 1 of 1

Part Number(s): Description(s):