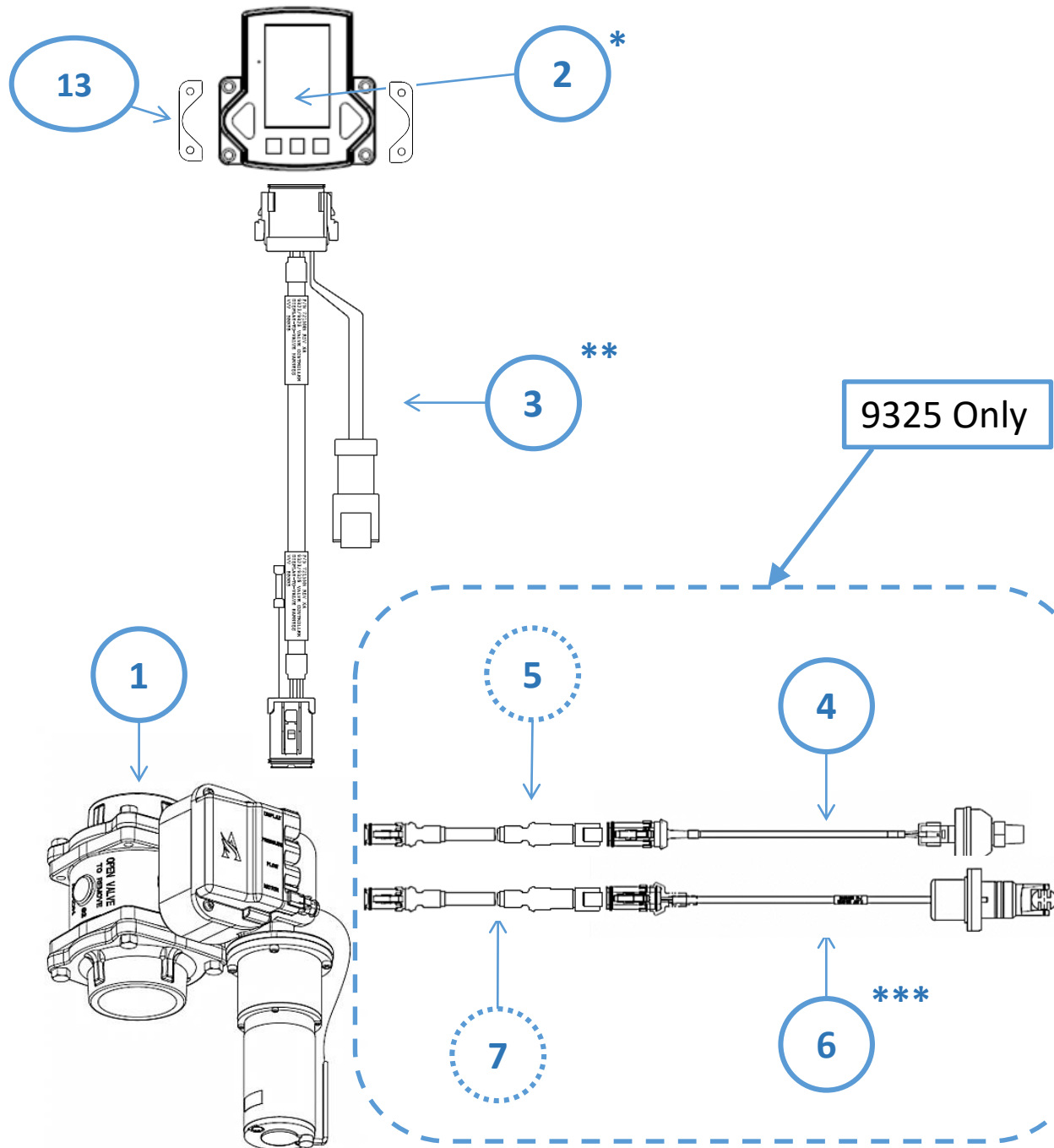


# 9323 & 9325 Navigator Pro Order Form



## One-to-One Setup



\* To add more displays, network setup must be used.

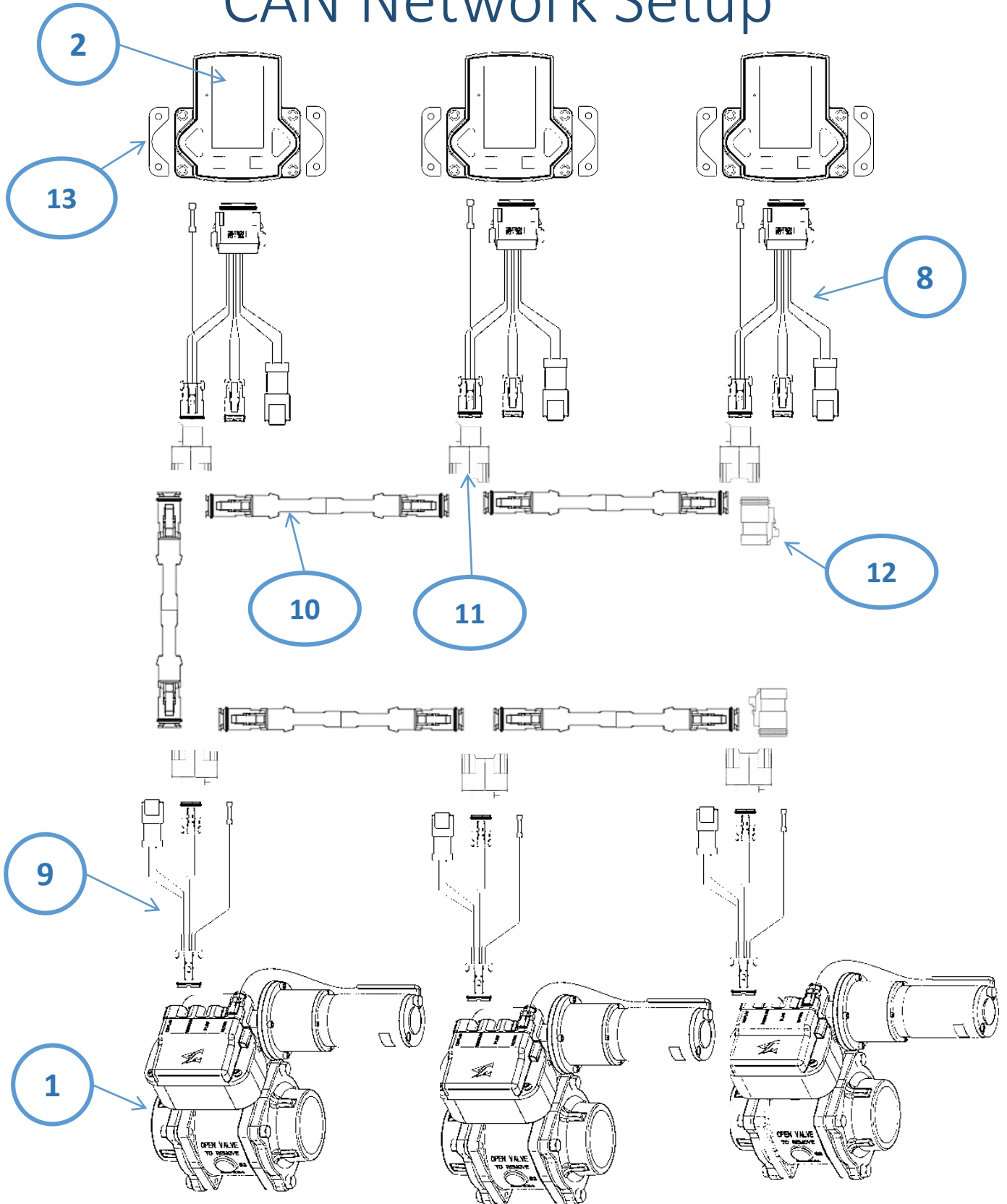
\*\* Harnesses cannot be connected together to extend. Correct length must be ordered.

\*\*\* Flow sensor to be installed with standard saddle clamps or weld bosses.

# 9323 & 9325 Navigator Pro Order Form



## CAN Network Setup



# 9323 & 9325 Navigator Pro Order Form



Item	Description	Part Number	Quantity
1	Valve - See Valve Guide for Detailed Ordering		
2	9323 Display*	93231001	
	9325 Display*	93251001	
3	Main Harness - 10 ft**	721618	
	Main Harness - 15 ft**	721619	
	Main Harness - 20 ft**	721620	
4	Pressure Sensor	93001003	
5	Pressure Sensor Extension Harness - 5 ft	721612	
	Pressure Sensor Extension Harness - 10 ft	721613	
	Pressure Sensor Extension Harness - 15 ft	721614	
6	Flow Sensor***	93001001	
7	Flow Sensor Extension Harness - 5 ft	721609	
	Flow Sensor Extension Harness - 10 ft	721610	
	Flow Sensor Extension Harness - 15 ft	721611	
8	Display CAN Network Harness	721615	
9	Valve CAN Network Harness	721617	
10	CAN Extension Harness - 6 in	721659	
	CAN Extension Harness - 3 ft	721572	
	CAN Extension Harness - 5 ft	721573	
	CAN Extension Harness - 10 ft	721574	
	CAN Extension Harness - 20 ft	721570	
	CAN Extension Harness - 40 ft	721575	
11	CAN Network Tee	758306	
12	Can Network Terminators (set of 2)	123734	
13	Color Indicators (26 pcs - 2 of each color)	123294	
	Color indicators - 1 color - pack of 10		
	Color Indicators - 1 color - pack of 2		

\* To control one valve with multiple displays, network setup must be used.

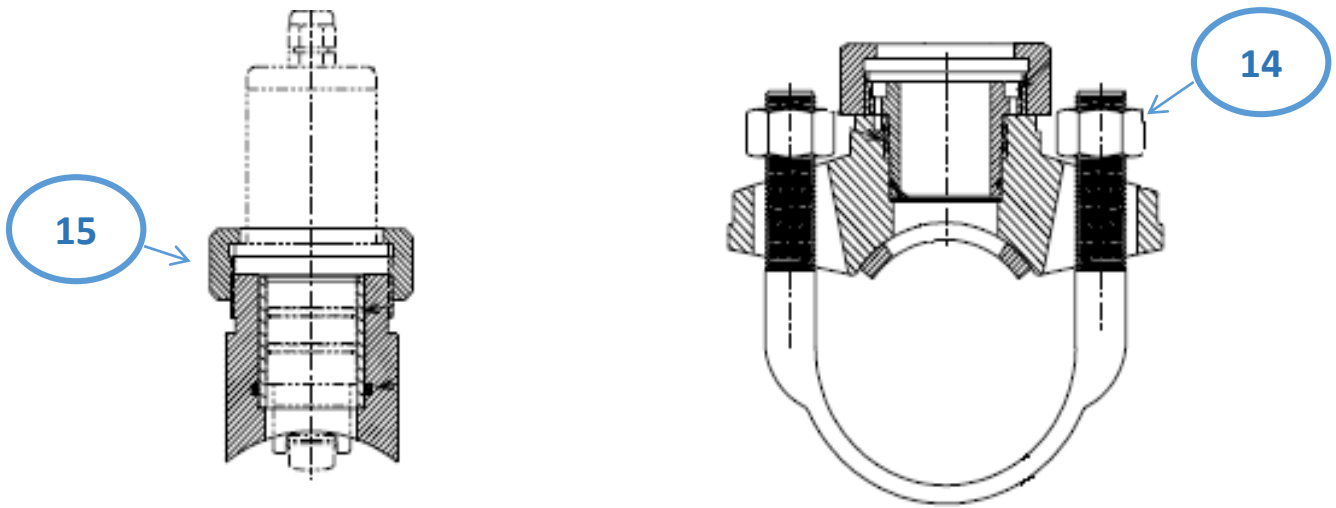
\*\* Harnesses cannot be connected together to extend. Correct length must be ordered.

\*\*\* Flow sensor to be installed with standard saddle clamps or weld bosses.

# 9323 & 9325 Navigator Pro Order Form



## Flow Sensor Installation Options



Item	Description	Part Number	Quantity
14	Saddle Clamp 2" SCH 40 Pipe	93000006	
	Saddle Clamp 2.5" SCH 40 Pipe	93000007	
	Saddle Clamp 3" SCH 40 Pipe	93000008	
	Saddle Clamp 4" SCH 40 Pipe	93000011	
15	Weld Boss - 4" Aluminum Pipe (.125" wall)	93000021	
	Weld Boss - 4.5" Aluminum Pipe (.125" wall)	93000022	
	Weld Boss - 5" Aluminum Pipe (.125" wall)	93000023	
	Weld Boss - 2" Stainless Steel SCH 40 Pipe	93000062	
	Weld Boss - 2.5" Stainless Steel SCH 40 Pipe	93000063	
	Weld Boss - 3" Stainless Steel SCH 40 Pipe	93000064	
	Weld Boss - 4" Stainless Steel SCH 40 Pipe	93000024	
	Weld Boss - 5" Stainless Steel SCH 40 Pipe	93000026	
	Weld Boss - 6" Stainless Steel SCH 40 Pipe	93000061	