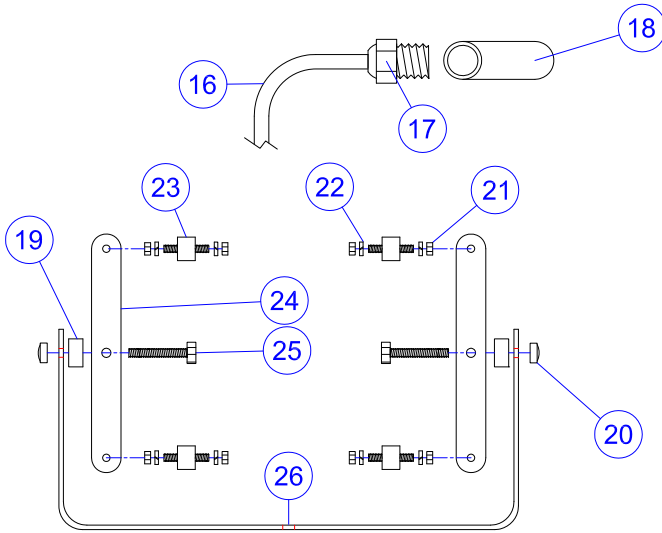
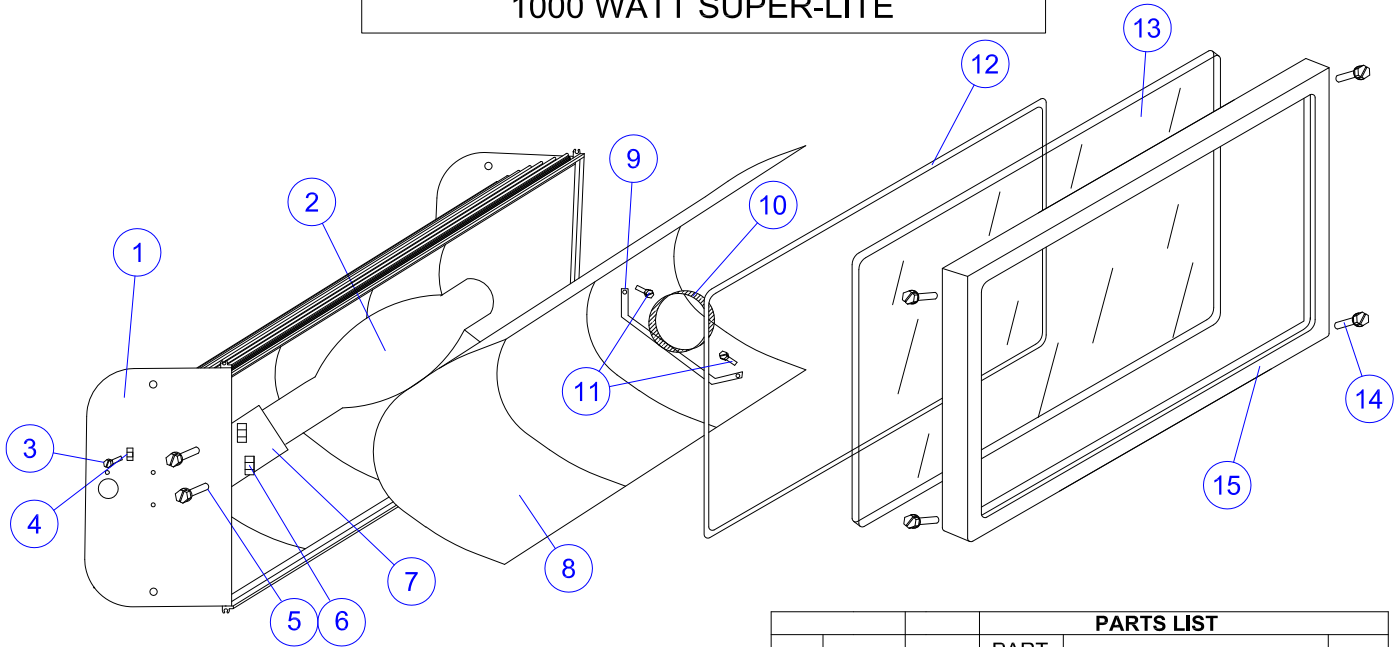
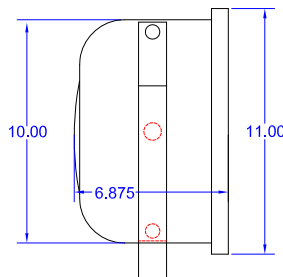
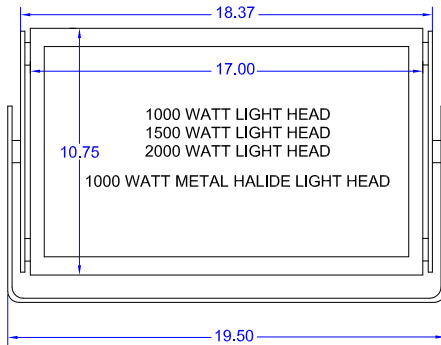


# 1000 WATT SUPER-LITE



## SUPER-LITE



PARTS LIST					
NO.	ASSY	ASSY	PART NO.	DESCRIPTION	QTY.
1			740-HS	LIGHT FIXTURE BODY	1
2			MH-1000	1000 Watt H.I.D. LAMP	1
3			761-GS	GROUND BOLT	1
4			632-NT	GROUND BOLT NUT	1
5			424-JB	SOCKET BOLT	2
6			475-AO	SOCKET NUT	2
7			743-MB	MOGUL BASE SOCKET	1
8			742-MR	REFLECTOR	1
9			747-BS	WIRE LAMP SUPPORT	1
10			748-FS	HIGH TEMP SLEEVE	1
11			762-BS	LAMP SUPPORT SCREWS	2
12			745-LG	HI-TEMP LENS GASKET	1
13			745-LN	TEMPERED GLASS LENS	1
14			760-LS	LENS FRAME SCREWS	4
15			744-LF	CAST LENS FRAME	1
16			123B300	3'- 12/3 WIRE, 300 VOLT	1
17			135-SR	STRAIN RELIEF, ALUM.	1
18			120-AC	ALUM. COUPLING	1
19			756-RR	ALUM. SPACER	2
20			410-LN	S.S. NYLOCK NUT	2
21			H-638	ZINC PLATED NUT	8
22			H-639	ZINC LOCK WASHER	8
23	SL-MY	755-SM	755-SM	SHOCK MOUNTS	4
24			749-RS	FLAT SURPORT BAR	2
25			763-YB	BOLT	2
26			750-MY	YOKE MOUNTING BRK.	1

} ITEMS SOLD AS AN ASSY.

Zone	Chg.	Description	Date	Approved
01		REVISED PART#	8/17/06	



Title: SUPER-LITE HEAD  
Product(s): EXTENDA-LITE  
Style(s):

Designed By:	
Drawn By:	CAF
Apprv'd By:	
Plot Date:	8/17/06
Drawing No.	L-SUPERLITE
Supersedes:	
Scale:	NONE
Sheet(s):	1 OF 1