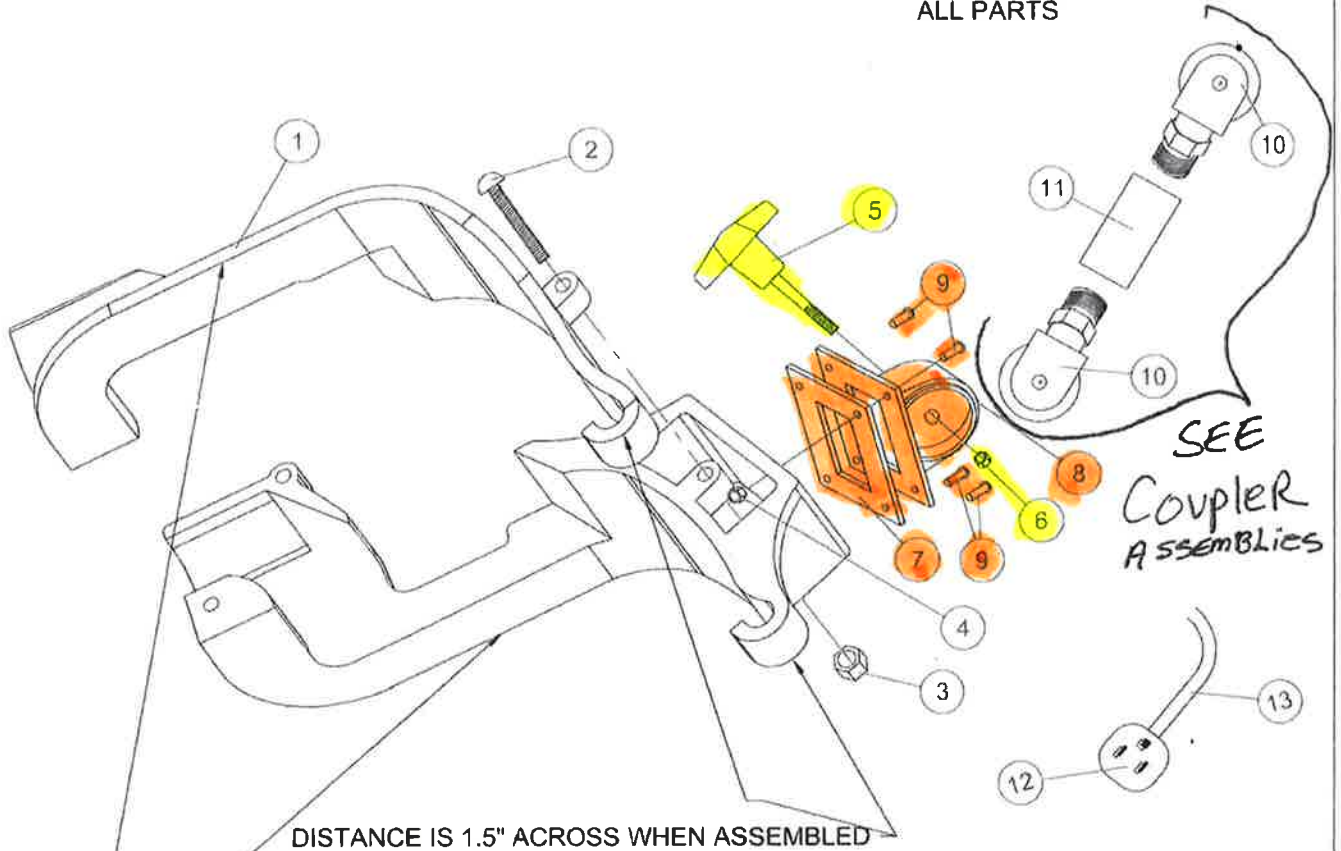


HONDA 2000 WATT GENERATOR BRACKET

SEE MAKE & MODEL
LIGHT HEAD FOR
ALL PARTS



DISTANCE IS 1.5" ACROSS WHEN ASSEMBLED

DISTANCE IS 6" ACROSS WHEN ASSEMBLED

PARTS LIST

ITEM NO.	PART NO.	DESCRIPTION	QTY.
1	200-LB	SET-MOUNTING BRKT	1
2	353-SC	S.S. SCREW	3
3	314-LN	ACORN LOCK NUT	3
4	474-AO	S.S. KEPS NUT	4
5	KBT-40	LOCKING KNOB <i>ASSY</i>	1
6	321-LN	S.S. LOCK NUT	1
7	329-GA	ADAPTER GASKET	1
8	326-HA	HOUSING ADAPTER <i>ASSY</i>	1
9	424-JB	S.S. 1" SCREW	4
10	311-HS	3/4" HOUSING ARM	2
11	340-AC	3/4" ALUM. CPLG.	1
12	200-PG	5-15 PLUG	1
13	16/3-B	CORD - 300V	1

COUPLER ASSEMBLIES

PART NO.	LIGHTHEAD STYLE	DESCRIPTION	PARTS INCLUDED WITH ITEM NO.
B4-GC	BETA	GENERATOR COUPLER ASSY, BETA HEADS	#10 - QTY 2 / #11 - QTY 1 / #13 - QTY 1
		PARTS NO.'S & QTY'S NOT SHOWN	QTY 3 / 818-BC / QTY 1 / 322-GWT QTY 1 / 352-LS / QTY 1 / 353-LS QTY 1.5FT / 323-GW
ST-GC	STONCO	GENERATOR COUPLER ASSY FOR STONCO HEADS	#10 - QTY 2 / #11 - QTY 1 / #13 - QTY 1
		PARTS NO.'S & QTY'S NOT SHOWN	QTY 3 / 818-BC / QTY 1 / 322-GWT QTY 1.5FT / 323-GW QTY 1 / 309-LS
SS-GC	SCENE STAR	SCENE STAR GENERATOR COUPLER ASSY	#10 - QTY 1 / #13 - QTY 1
		PARTS NO.'S & QTY'S NOT SHOWN	QTY 3 / 324-BC / QTY 1 / 602-SL QTY 1 / 121-SS / QTY .270 FT / 314-TPB

PARTS NOT SHOWN DESCRIPTIONS

PART NO.	QTY	DESCRIPTION
818-BC	3	CONNECTOR, BUTT 22-18 GA. RED
322-GWT	1	TERMINAL, FORK 16-14, #10 NON-INSULATED
352-LS	1	LAMPHOLDER, 22" 16AWG UL 1659 WHITE LEAD
353-LS	1	LAMPHOLDER, 22" 16AWG UL 1659 BLACK LEAD
323-GW	1.5 FT	#18, COPPER GROUNDWIRE
309-LS	1	LIGHT SOCKET ASSY, STONCO, SET, 1BLK&1WHT
324-BC	3	CONNECTOR, BUTT 16-14 BLUE FUNNEL ENTRY
602-SL	1	SWIVEL, LOWER, LED 3/4"
121-SS	1	INSERT, 5/16-18 x .312 SS NON-LOCKING
314-TPB	.270 FT	BAR, ROUND, ALUM, 1-1/4"

ISO-9001 CERTIFIED



Akron Brass Company
A Premier Farnell Company

501 N. Cummings Lane, Washington, IL 61571
Phone: (309)444-4440 Fax: (309)444-8766