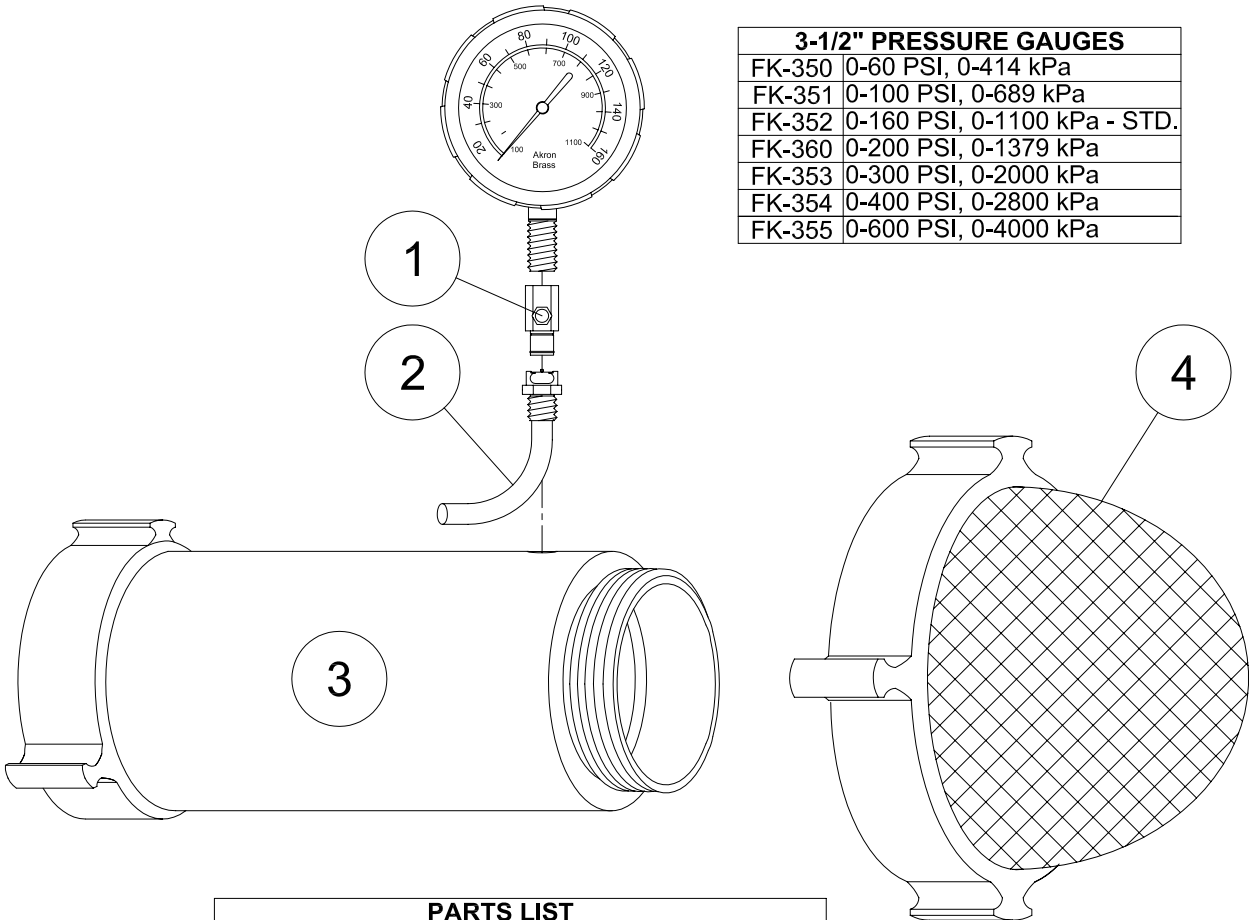
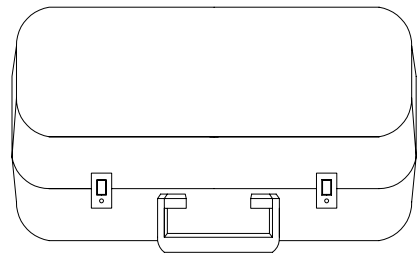
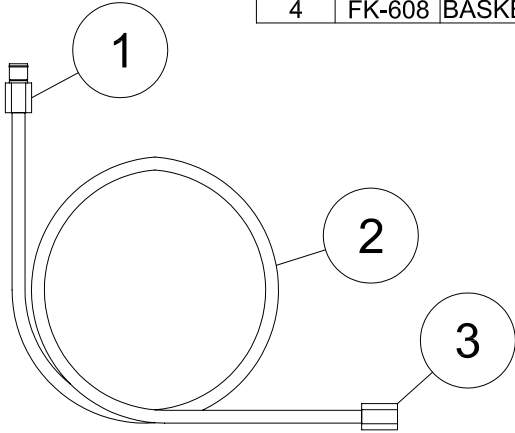


HYDRANT FLOW TEST KIT (HK-45)



3-1/2" PRESSURE GAUGES	
FK-350	0-60 PSI, 0-414 kPa
FK-351	0-100 PSI, 0-689 kPa
FK-352	0-160 PSI, 0-1100 kPa - STD.
FK-360	0-200 PSI, 0-1379 kPa
FK-353	0-300 PSI, 0-2000 kPa
FK-354	0-400 PSI, 0-2800 kPa
FK-355	0-600 PSI, 0-4000 kPa

PARTS LIST			
ITEM NO.	PART NO.	DESCRIPTION	QTY.
1	FK-109	BLEEDER ADAPTER ASSY.	1
2	FK-545	PITOT TUBE/BLEEDER ASSY	1
3	FK-404	4.5" BARREL	1
4	FK-608	BASKET DIFFUSER	1



OPTIONAL (RG-230) 10' REMOTE ASSEMBLY PARTS LIST			
ITEM NO.	PART NO.	DESCRIPTION	QTY.
1	FK-103	MALE SWIVEL PLUG	1
2	FK-105	1/4" TUBING	10'
3	FK-104	FEMALE SWIVEL CONNECTOR	1

CASES		
FK-230	LARGE CASE	18-3/8" W x 14-1/4" D x 8" H-STD.
FK-231	EXTRA LARGE CASE	20-3/4" W x 16-1/2" D x 9-1/4" H
FK-225	LARGE FOAM INSERT FOR FK-230 CASE	
FK-226	EXTRA LARGE FOAM INSERT FOR FK-231 CASE	

ISO-9001 CERTIFIED



Akron Brass Company
A Premier Farnell Company

501 N. Cummings Lane, Washington, IL 61571
Phone: (800)214-6800 Fax: (800)214-6808