

Gemini Order Form



Select Voltage:

Select One

<input type="checkbox"/>	12 Volt
<input type="checkbox"/>	24 Volt

Select Inlet/Outlet:

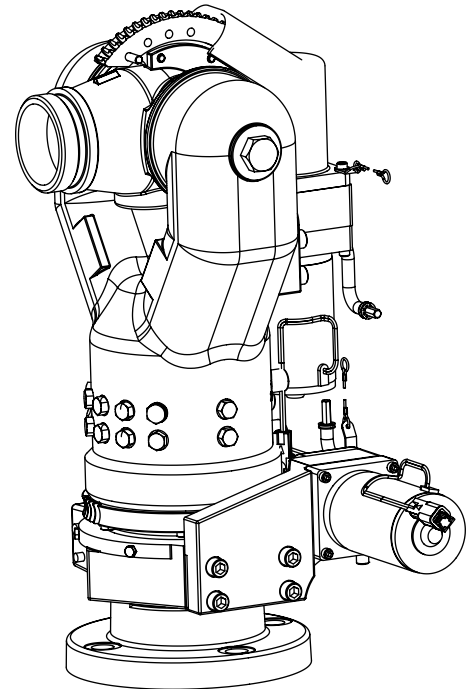
Select

<input type="checkbox"/>	4" flange x 2.5" NH
<input type="checkbox"/>	3" flange x 2.5" NH
<input type="checkbox"/>	4" NPT x 2.5" NH
<input type="checkbox"/>	3" NPT x 2.5" NH

Select Paint:

Select One

<input type="checkbox"/>	Red (standard)
<input type="checkbox"/>	White (optional)
<input type="checkbox"/>	Black (optional)
<input type="checkbox"/>	Lime Yellow (optional)
<input type="checkbox"/>	Silver (optional)
<input type="checkbox"/>	No Paint



Select Nozzle: (specify thread if other than NH)


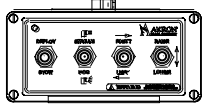



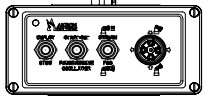

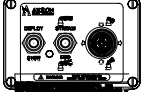
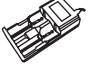
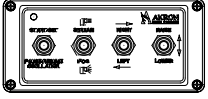
Select One

<input type="checkbox"/>	No Nozzle
<input type="checkbox"/>	5177 Akromatic 1000 gpm (3800 lpm) <input type="checkbox"/> Optional Style 737 foam tube
<input type="checkbox"/>	1578 Sabermaster 1250gpm(4800lpm) fog with 2" smooth bore
<input type="checkbox"/>	4040 Akro-Chem 250-1250gpm (950-4800lpm) water/foam & dry chemical nozzle
<input type="checkbox"/>	3626 1000gpm (3800lpm) Master Stream Foam Tube
<input type="checkbox"/>	3626 800gpm (3030lpm) Master Stream Foam Tube
<input type="checkbox"/>	2499 Quad Stack Tip Set (requires 3488 or 3485 shaper) (3.5"x 2.5" NH reducer)
<input type="checkbox"/>	3485 2.5" x 2.5" mini shaper, 4" long
<input type="checkbox"/>	3488 2.5" x 2.5" standard shaper 11.5" long
<input type="checkbox"/>	No Shaper

Gemini Order Form

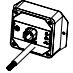



Select Control Options:

Quantity			Quantity			
60350009		Standard CAN Proportional Joystick		60410008	CAN 4 Toggle Stow/Deploy, Up/Down, Right/Left, & Fog/Stream	
60350012		ARFF CAN Joystick (Provides Stow/Deploy, Oscillation, High/Low Flow, and Dry Chemical)		60410023	CAN 3 Toggle Up/Down, Right/Left, & Fog/Stream	
60412002		CAN Tether with Mini Joystick Stow/Deploy, Osc, Fog/Stream, & Valve with Panel Connector		60411000	CAN 3 Toggle Stow/Deploy, Fog/Stream, Osc, & Mini Joystick (lft/rt/up/down)	
60470002 60370008		Handheld Wireless Controller Left/Right, Up/Down, Fog/Stream, Stow/Deploy, Oscillate & Valve Wireless Receiver		60411003	CAN 2 Toggle Stow/Deploy, Fog/Stream, & Mini Joystick (lft/rt/up/down)	
60470010		Wireless Controller Battery Charger		60410034	CAN 4 Toggle Oscillation, Up/Down, Right/Left, & Fog/Stream	

Select Options:

Select Any

60410035		"OEM Interface Module Enable use of standard switch inputs"	
3406		Electric Riser. Provides 12" of vertical extension to the monitor. Extend/Retract sequence automatically integrated to Stow/Deploy sequence of the monitor. (Flow limited to 1500 gpm)	

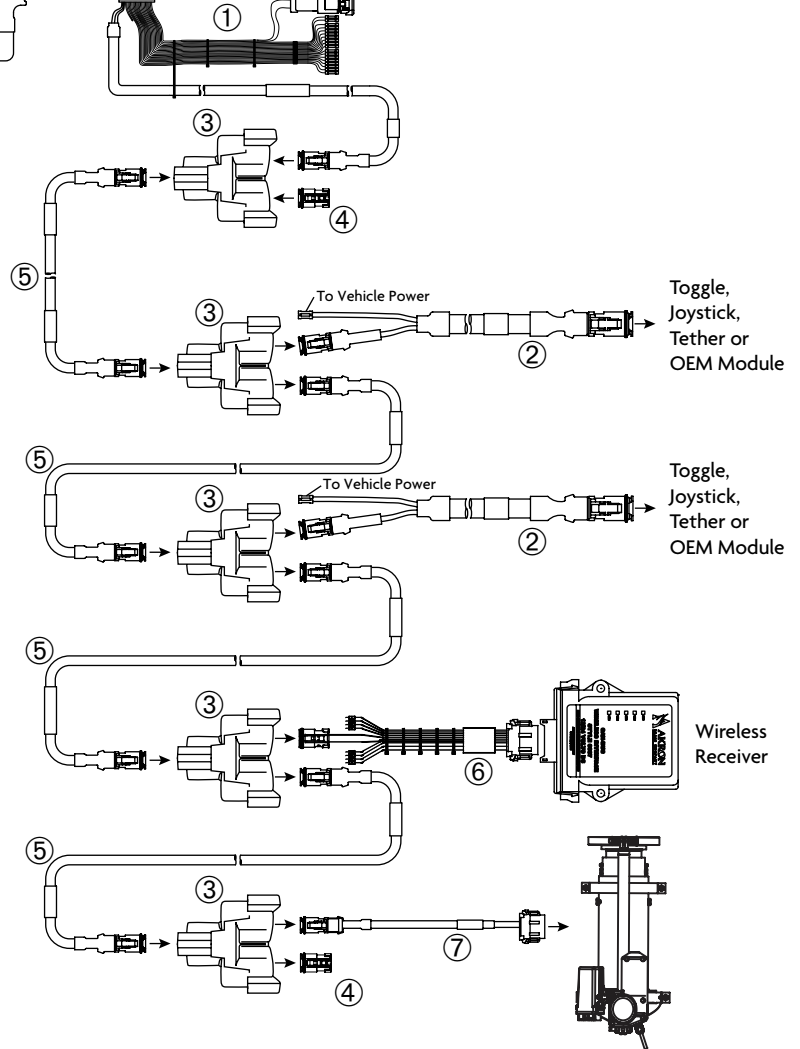
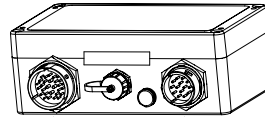
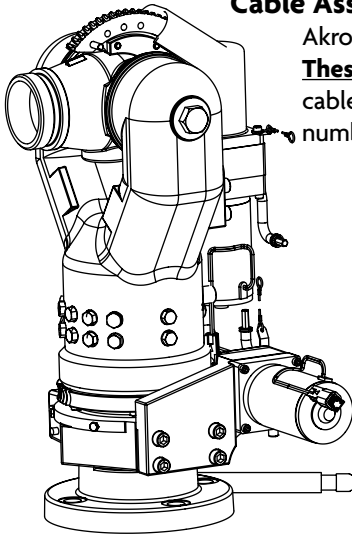
Send PO & completed order guide to akroncare@idexcorp.com or call 800.228.1161

Gemini Order Form



Cable Assemblies:

Akron Brass offers pre-engineered cable assemblies to quicken the installation process. **These are optional items.** Refer to the example system diagram below to identify which cable assemblies you require, then indicate the quantity next to the corresponding part number in the list below.



CAN Network Wiring Assemblies

Quantity	Part #	Description
①	1	721582 U2, J1 interface harness. Provides connection between U2 and CAN network and leads for optional inputs and outputs. One needed per system. 3ft. (1m)
②	721579	CAN device stub harness with power and ground leads 3ft. (1m)
③	758306	CAN network Tee. Provides connection between device stubs and network extension cables. (1 per device including logic box)
④	2	742205 CAN network terminator plugs. Two required per system (one at each end of network).
⑤	Part #	CAN network extension cables used between device tees
	721572	3ft. (1m)
	721573	5ft. (1.5m)
	721574	10ft. (3m)
	721570	20ft. (6m)
	721575	40ft. (12m)
⑥	721580	CAN Wireless module stub harness, one per module.
⑦	721594	Electric Riser controller stub harness
⑧	721592	Optional monitor harness extension. Maximum two per system 8ft. (2.5m) each, for total length of 24ft. (7.5m)

Send PO & completed order guide to akroncare@idexcorp.com or call 800.228.1161