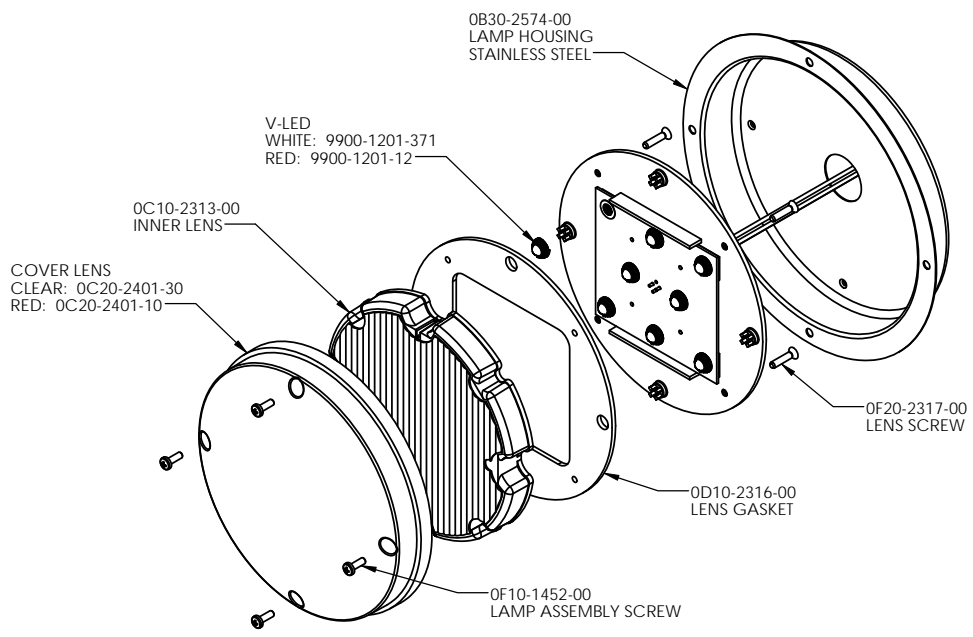
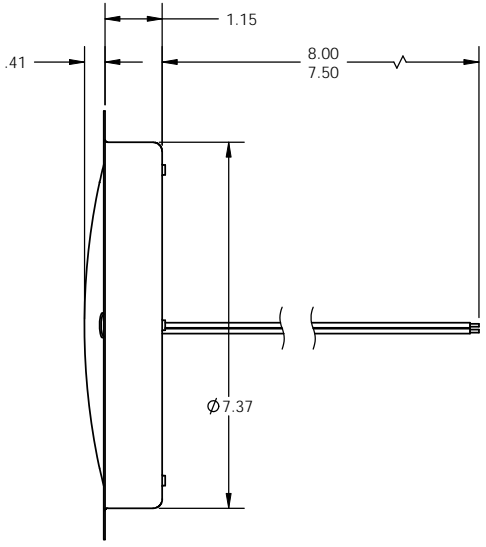
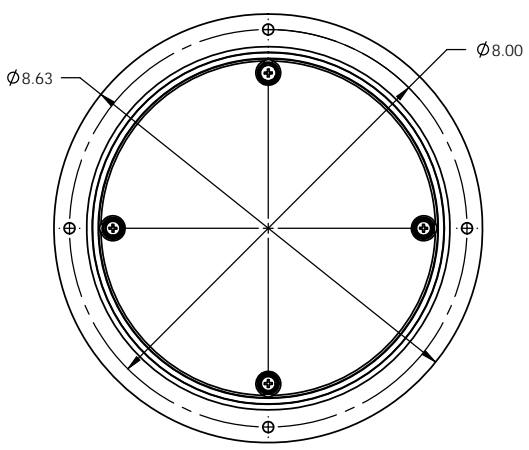


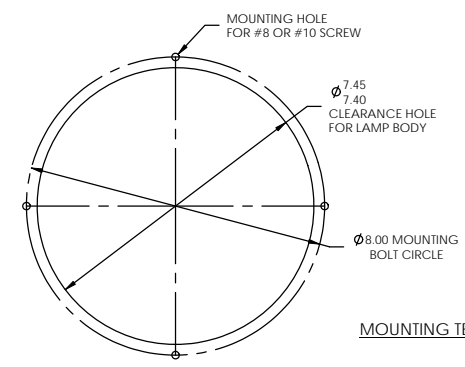
THIS DRAWING AND ALL INFORMATION CONTAINED HEREIN IS THE PROPERTY OF WELDON TECHNOLOGIES, INC. AND MAY NOT BE COPIED, REPRODUCED, OR DEVIATED TO UNAUTHORIZED PERSONS WITHOUT THE EXPRESS WRITTEN CONSENT OF WELDON TECHNOLOGIES, INC. AS IT IS BEING PROVIDED SOLELY FOR THE CONVENIENCE OF THE USER AND SHALL BE RETURNED TO WELDON TECHNOLOGIES, INC. UPON REQUEST.

REVISIONS					
REV	ECN	DESCRIPTION	DATE	BY	APVD
A	R0902	RELEASE FOR PRODUCTION	--	TB	



MOUNTING INSTRUCTIONS:

1. THIS L.E.D. LAMP ASSEMBLY IS CONSIDERABLY HEAVIER THAN THE INCANDESCENT OR HALOGEN VERSION. PRECAUTIONS MUST BE MADE TO INSURE THAT THE MOUNTING SURFACE IS CAPABLE OF SUSTAINING THE LAMP'S WEIGHT IN THE INTENDED SERVICE ENVIRONMENT.
2. PREPARE THE MOUNTING SURFACE PER THE MOUNTING TEMPLATE DIMENSIONS. TAKE NOTE OF ANY COMPONENTS BEHIND THE MOUNTING SURFACE PRIOR TO MAKING ANY CUTS TO THE MOUNTING SURFACE.
3. THIS LAMP PRODUCES HEAT THAT COULD ADVERSELY AFFECT THE LIFE OF THE PRODUCT. THERE SHALL BE NO INSULATION WITHIN 1" OF THE PERIMETER OF THE LAMP AND NO INSULATION WITHIN 2" OF THE BACK OF THE LAMP. ADDITIONAL VENTILATION TO THE BACK OF THE LAMP WILL ENHANCE THE LAMP PERFORMANCE AND LIFE.
4. THIS LAMP HAS TWO BRIGHTNESS SETTINGS - HIGH AND LOW. THE WIRE COLOR FUNCTIONS ARE AS FOLLOWS. INPUT VOLTAGE RANGE TO BE 10 - 16 VDC.
 RED = HIGH (+)
 BLACK = LOW (+)
 WHITE = GROUND (-)
 THE LAMP CAN DRAW UP TO 1.25 AMPS. VEHICLE WIRING SHOULD BE SIZED ACCORDINGLY. TYPICAL AMP DRAW AT 14 VOLTS IS 0.75 AMPS FOR "HIGH" FUNCTION AND 0.075 AMPS FOR "LOW" FUNCTION.
5. OPERATING TEMPERATURE RANGE IS -40C TO +55C (-40F TO +130F).
6. MOUNT THE LAMP USING #8 OR #10 SCREWS. THIS LAMP PROVIDES DIRECTIONAL LIGHT OUTPUT INTENDED TO MAXIMIZE THE ILLUMINATION OF THE INTERIOR OF THE VEHICLE. THE LABEL ON THE BACK OF THE LAMP INDICATES THE PROPER LAMP MOUNTING ORIENTATION. THE ARROW DIRECTION INDICATES THE LONG AXIS OF THE RECTANGULAR LIGHT OUTPUT.
7. TEST THE HIGH AND LOW FUNCTIONS OF THE LAMP TO VERIFY PROPER INSTALLATION.



UNLESS OTHERWISE SPECIFIED DIMENSIONS ARE IN mm TOLERANCES ARE: XXX - ±0.15 XX - ±0.5 ANGLES - ±0.5°	CAD GENERATED DRAWING. DO NOT MANUALLY UPDATE		WELDON TECHNOLOGIES, INC.	
	APPROVALS	DATE		
MATERIAL	DRAWN BARNETT	7/8/09	L.E.D. DOME LAMP ASSEMBLY SERVICEABLE CUSTOMER DRAWING	
FINISH	CHECKED			
DO NOT SCALE DRAWING	PROJ. NO.	00163	SIZE B	PART NO. C8049-0000-00
			SCALE: NONE	REV. A

8 7 6 5 4 3 2 1

8 7 6 5 4 3 2 1

D
C
B
A

D
C
B
A

A

T