

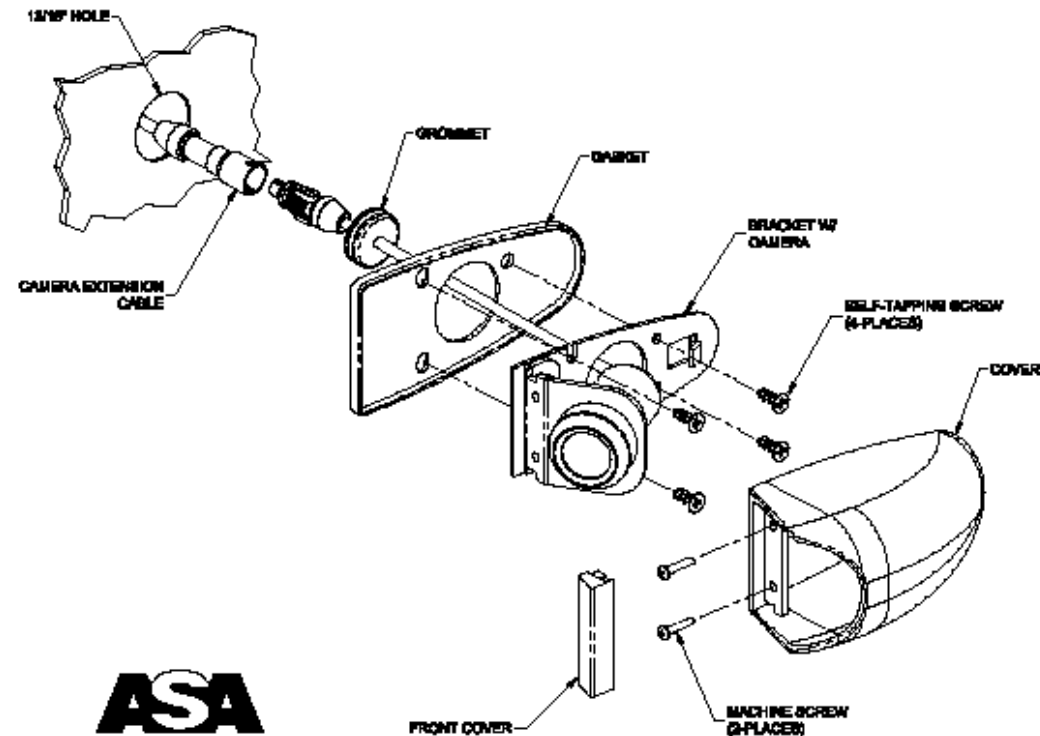
THIS DRAWING AND ALL INFORMATION CONTAINED HEREIN IS THE PROPERTY OF WELDON TECHNOLOGIES, INC. AND MAY NOT BE COPIED, REPRODUCED, OR DIVULGED TO UNAUTHORIZED PERSONS WITHOUT THE EXPRESS WRITTEN CONSENT OF WELDON TECHNOLOGIES, INC. AS IT IS BEING PROVIDED SOLELY FOR THE CONVENIENCE OF THE USER AND SHALL BE RETURNED TO WELDON TECHNOLOGIES, INC. UPON REQUEST.

REV.		ECN		REVISIONS		DATE	BY	APVD
A	R0543			DESCRIPTION		9/29/04	TS	ST

Voyager

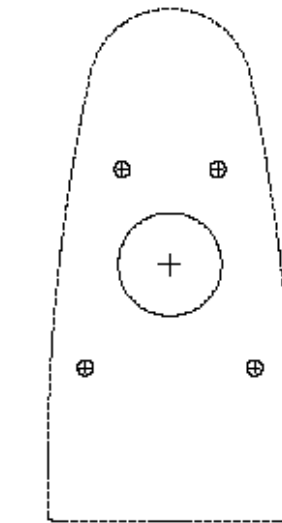
SIDE CAMERA INSTALLATION

- 1) Locate an area in the vehicle's wall which will permit mounting of the Side Camera. The area inside (behind) the wall must be free from obstructions such as Wall Braces, Wires, Brake or Fuel lines, or other impediments.
- 2) Tape Template to Chosen Mounting Location
- 3) Drill 13/16" Cable Clearance Hole and 1/16" Mounting Screw pilot holes
- 4) Install Gasket onto Metal Bracket
- 5) Place Metal Bracket over drilled hole
- 6) Align Camera Bracket in desired location and mount with four (4) screws.
- 7) Connect Camera to Chassis Harness and align prior to installing cover.
- 8) Place Cover onto Bracket and slide onto hook
- 9) Align Cover and install two (2) screws.
- 10) Push Trim Plate over screws.



ASA
 AUDIOVOK SPECIALIZED APPLICATIONS, LLC
 www.asaelectronics.com

10/16/03



MOUNTING TEMPLATE

6501-0000-00	6502-0000-00	6503-0000-00	6504-0000-00	6505-0000-00	6506-0000-00
--------------	--------------	--------------	--------------	--------------	--------------

10/16/03

NOTE:
DO NOT USE UNTIL
MTG. DIMS ARE ADDED

PART NUMBER	DESCRIPTION						
0K16-1792-00	CONNECTOR ADAPTER, CAMERA TO RCA	1	1	1	1	1	1
0U61-1971-11	CAMERA, B&W, LEFT MT. WHITE BODY	1	--	--	--	--	--
0U61-1971-21	CAMERA, B&W, RIGHT MT. WHITE BODY	--	1	--	--	--	--
0U61-1971-12	CAMERA, B&W, LEFT MT. CHROME BODY	--	--	1	--	--	--
0U61-1971-22	CAMERA, B&W, RIGHT MT. CHROME BODY	--	--	--	1	--	--
0U61-1971-13	CAMERA, B&W, LEFT MT. GRAY PRIMER BODY	--	--	--	--	1	--
0U61-1971-23	CAMERA, B&W, RIGHT MT. GRAY PRIMER BODY	--	--	--	--	--	1

UNLESS OTHERWISE SPECIFIED
DIMENSIONS ARE IN INCHES
TOLERANCES ARE:
 X.XXX - ±0.005
 X.XX - ±0.020
 X.X - ±0.050
 ANGLES - ±0.5°

CAD GENERATED DRAWING,
DO NOT MANUALLY UPDATE

MATERIAL

APPROVALS

DRAWN TS 7/16/04

CHECKED ST 7/21/04

QUAL ENG

MFG ENG

FINISH

DO NOT SCALE DRAWING

PROJ. NO.

WELDON TECHNOLOGIES, INC.

CUSTOMER DRAWING
CAMERA, B&W
LEFT/RIGHT SIDE MOUNT

SIZE B PART NO. C6501-0000-00 REV. A

SCALE: 1:1 WELDON COMPUTER GRAPHICS SHEET 1 OF 1