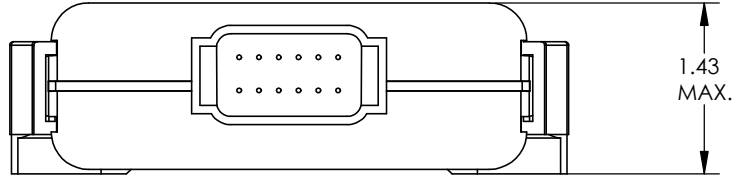
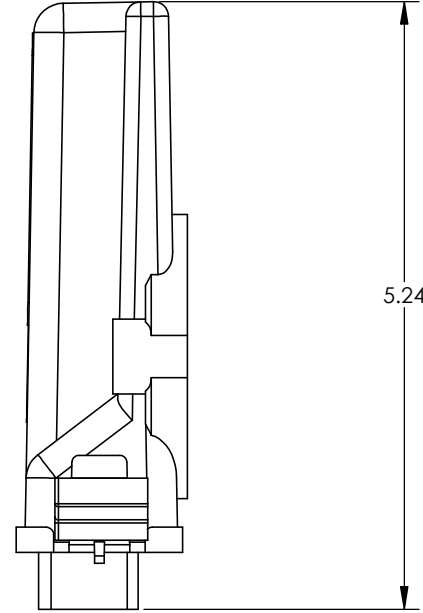
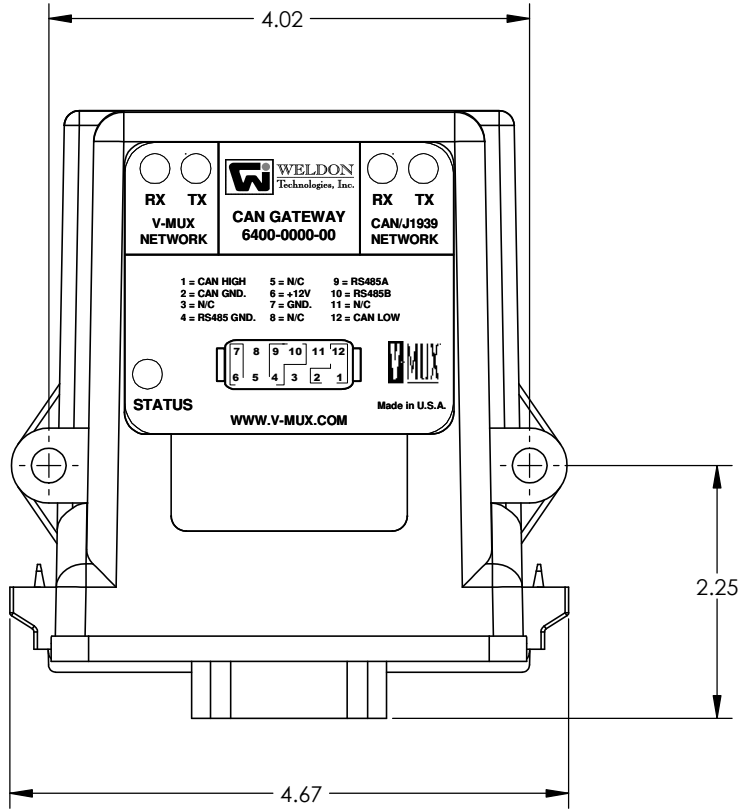


THIS DRAWING AND ALL INFORMATION CONTAINED HEREIN IS THE PROPERTY OF WELDON TECHNOLOGIES, INC. AND MAY NOT BE COPIED, REPRODUCED, OR DISCLOSED TO UNAUTHORIZED PERSONS WITHOUT THE EXPRESS WRITTEN CONSENT OF WELDON TECHNOLOGIES, INC. AS IT IS BEING PROVIDED SOLELY FOR THE CONVENIENCE OF THE USER AND SHALL BE RETURNED TO WELDON TECHNOLOGIES, INC UPON REQUEST.

REVISIONS					
REV.	ECN	DESCRIPTION	DATE	BY	APVD
A	0350	RELEASE FOR REFERENCE		TS	



UNLESS OTHERWISE SPECIFIED DIMENSIONS ARE IN INCHES TOLERANCES ARE: X.XXX - ±0.005 XX.X - ±0.020 X.X - ±0.050 ANGLES - ±0.5°	CAD GENERATED DRAWING. DO NOT MANUALLY UPDATE.		WELDON TECHNOLOGIES, INC.		
	APPROVALS	DATE	INSTALLATION DRAWING J1939 GATEWAY		
	DRAWN				
	CHECKED				
QUAL ENG					
MATERIAL					
FINISH					
DO NOT SCALE DRAWING	PROJ. NO.		SIZE B	PART NO. C 6400-0000-00	REV. A
		SCALE: 1:1	WELDON COMPUTER GRAPHICS SHEET 1 OF 1		