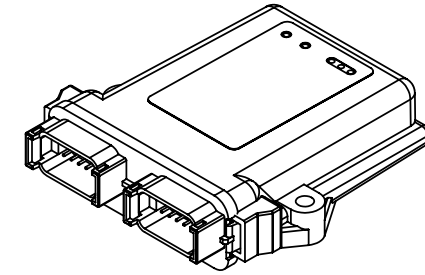
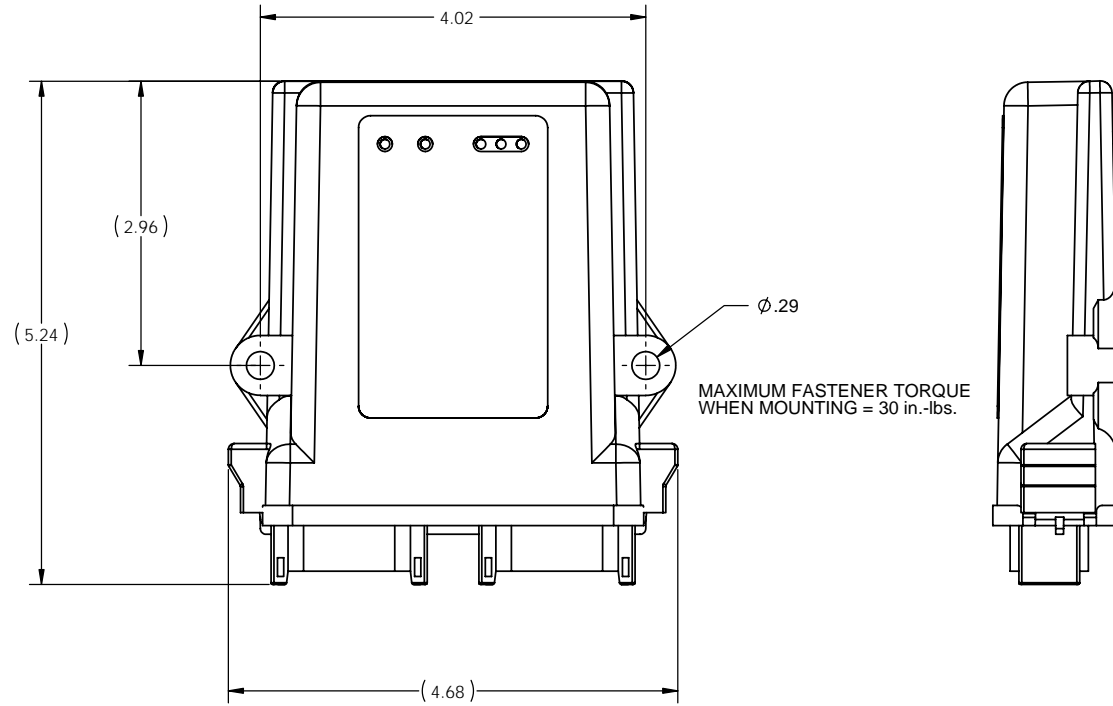
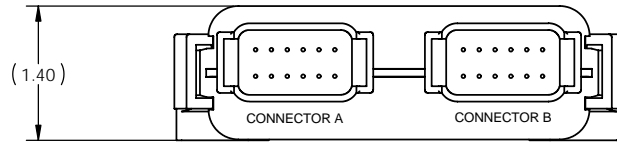


THIS DRAWING AND ALL INFORMATION CONTAINED HEREIN IS THE PROPERTY OF WELDON TECHNOLOGIES, INC. AND MAY NOT BE COPIED, REPRODUCED, OR DEVELOPED TO UNAUTHORIZED PERSONS WITHOUT THE EXPRESS WRITTEN CONSENT OF WELDON TECHNOLOGIES, INC. AS IT IS BEING PROVIDED SOLELY FOR THE CONVENIENCE OF THE USER AND SHALL BE RETURNED TO WELDON TECHNOLOGIES, INC. UPON REQUEST.

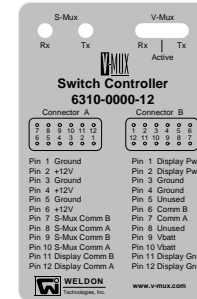
REV		DATE	DESCRIPTION	BY	DATE	APPROV
A	0000		RELEASE	ST	12/29/07	ST
B	0073		REVISED PCB ASSEMBLY	ST	7/30/07	ST



ISOMETRIC VIEW



MATING CONNECTOR INFORMATION:
 CONNECTOR A = DEUTSCH, DTM06-12SB
 CONNECTOR B = DEUTSCH, DTM06-12SA



SWITCH CONTROLLER LABEL SHOWING CONNECTOR PIN ASSIGNMENTS

NOTES:

- SMART SWITCH MODULES ARE TO BE WIRED IN STRINGS ON S-MUX COMM LINES A AND B. IN ADDITION TO COMM LINES A AND B, +12V AND GROUND MUST BE SUPPLIED TO THE MODULES. REFERRING TO THE SWITCH LABEL SHOWN AT RIGHT, IT CAN BE SEEN THAT COMM LINES A AND B APPEAR ON CONNECTOR A, PINS 7 THRU 10 AND THAT +12V AND GROUND APPEAR ON PINS 1 THRU 6. THE ONLY RESTRICTION IN WIRING THE SMART SWITCH MODULES IS TO LIMIT THE NUMBER OF SWITCH MODULES PER STRING TO NO MORE THAN EIGHT MODULES. SINCE MODULES ARE WIRED IN A DAISY-CHAIN FASHION FOR EASE OF INSTALLATION, THE FOUR-WIRE COMMUNICATION CABLE MUST CARRY THE SUPPLY CURRENT FOR ALL THE MODULES IN THE STRING. THE FOREGOING RESTRICTION MEANS THAT THE SWITCH CONTROLLER IS CAPABLE OF CONTROLLING UP TO 16 SMART SWITCH MODULES.
- V-MUX COMM LINES A AND B CAN BE FOUND ON CONNECTOR B, PINS 6 AND 7. THE CONTROLLER IS POWERED BY APPLYING VBATT AND GROUND TO CONNECTOR B, PINS 9 THRU 12.
- MINIMUM COMMUNICATION CABLE SIZE IS 24 AWG STRANDED.
- A 5AMP AUTOMOTIVE-STYLE FUSE IS REQUIRED IN THE SUPPLY LINE TO THIS DEVICE. FAILURE TO FOLLOW THIS RECOMMENDATION COULD LEAD TO FIRE IN THE CASE OF A SHORT CIRCUIT.
- SPECIFICATIONS: OPERATING TEMPERATURE RANGE IS -40°C TO +85°C
 OPERATING VOLTAGE RANGE IS +9VDC TO +16VDC
 IP-67 ENVIRONMENTAL RATING.
- WHENEVER POSSIBLE, INSTALL WITH CONNECTORS FACING DOWN.
- MODULE-TO-MODULE WIRING IS ACCOMPLISHED WITH S-MUX CABLE, WELDON P/N 0L40-2088-00. FOR INFORMATION ON CABLE CONSTRUCTION SEE WELDON DOCUMENT COL40-1950-00.
- USE 20 AWG MINIMUM STRANDED WIRE FOR POWER AND GROUND LINES ON CONNECTOR "B" OF THE SWITCH CONTROLLER.

UNLESS OTHERWISE SPECIFIED DIMENSIONS ARE IN INCHES TOLERANCES ARE: XXXX - ±0.005 XXX - ±0.020 XX - ±0.050 X - ±0.125 ANGLES - ±1.5°		CAD GENERATED DRAWING. DO NOT MANUALLY UPDATE.		WELDON TECHNOLOGIES, INC.	
APPROVALS		DATE		SMART SWITCH CONTROLLER (12V)	
DRAWN		GD 3/20/05			
CHECKED		ST 9/20/06			
MATERIAL		MFG ENG		PART NO.	
FINISH		QUAL ENG		C6310-0000-12	
DO NOT SCALE DRAWING		PROJECT NO.		SCALE	
		00131		1:1 WELDON COMPUTER GRAPHICS	
				SHEET 1 OF 1	