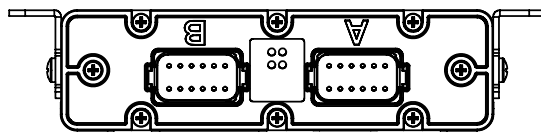
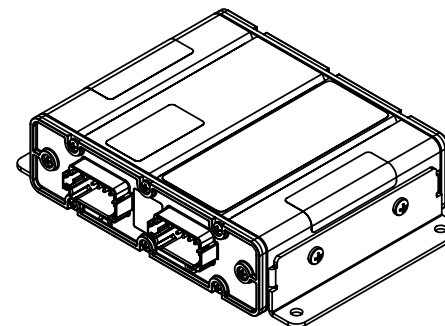


THIS DRAWING AND ALL INFORMATION CONTAINED HEREIN IS THE PROPERTY OF WELDON TECHNOLOGIES, INC. AND MAY NOT BE COPIED, REPRODUCED, OR DEVELOPED TO UNAUTHORIZED PERSONS WITHOUT THE EXPRESS WRITTEN CONSENT OF WELDON TECHNOLOGIES, INC. AS IT IS BEING PROVIDED SOLELY FOR THE CONVENIENCE OF THE USER AND SHALL BE RETURNED TO WELDON TECHNOLOGIES, INC. UPON REQUEST.

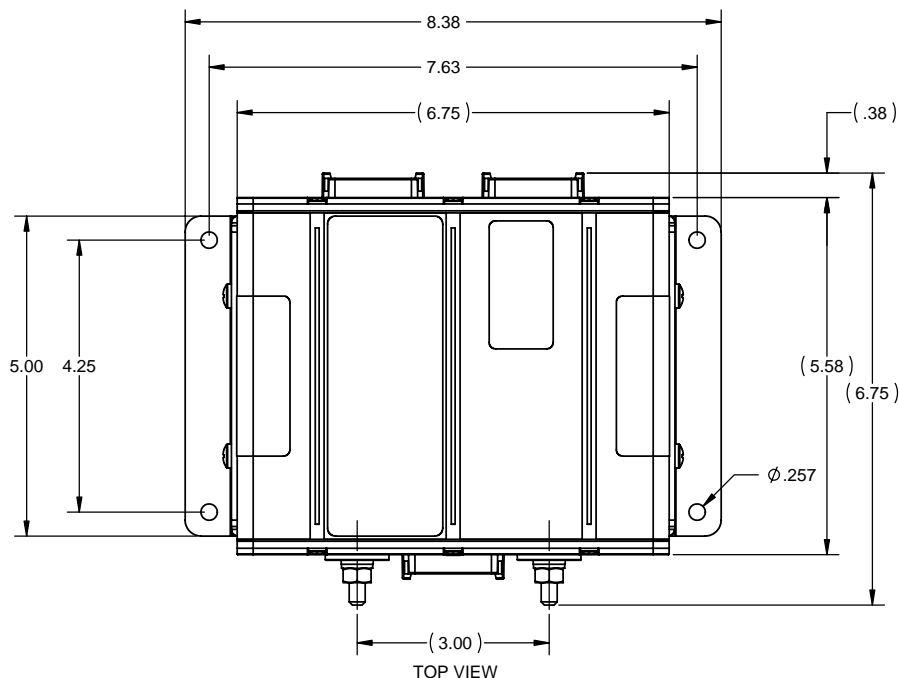
REV		DESCRIPTION		BY	DATE	APP'D
A	09/13	RELEASE		GD	6/1/11	EB



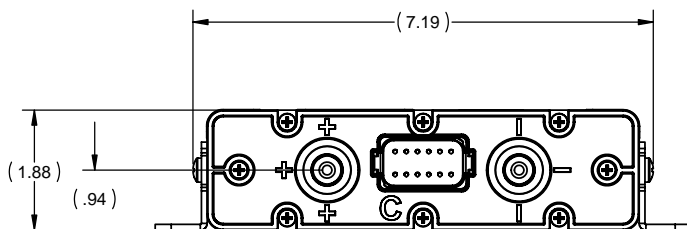
REAR VIEW



ISOMETRIC VIEW



TOP VIEW



FRONT VIEW

**8 x 16 V-MUX Node  
6030-0000-00**

Pin 1 Hi-side 1 Out	Pin 7 Hi-side 7 Out	Pin 1 Hi-side 8 Out	Pin 7 Hi-side 14 Out	Pin 1 V-Mux comm1 A	Pin 7 Analog 1 In
Pin 2 Hi-side 2 Out	Pin 8 Lo-side 1 Out	Pin 2 Hi-side 9 Out	Pin 8 Lo-side 2 Out	Pin 2 V-Mux comm1 B	Pin 8 Analog 2 In
Pin 3 Hi-side 3 Out	Pin 9 Input 1	Pin 3 Hi-side 10 Out	Pin 9 Input 4	Pin 3 Unused	Pin 9 Analog gnd
Pin 4 Hi-side 4 Out	Pin 10 Input 2	Pin 4 Hi-side 11 Out	Pin 10 Input 5	Pin 4 Aux comm2 A	Pin 10 5V (500mA) Out
Pin 5 Hi-side 5 Out	Pin 11 Input 3	Pin 5 Hi-side 12 Out	Pin 11 Input 6	Pin 5 Aux comm2 B	Pin 11 Gnd Out
Pin 6 Hi-side 6 Out	Pin 12 Unused	Pin 6 Hi-side 13 Out	Pin 12 Unused	Pin 6 Unused	Pin 12 Unused

Connector A

Connector B

Connector C

www.v-mux.com

PRODUCT LABEL DETAILING  
CONNECTOR PIN ASSIGNMENTS

NOTES:

- 1) THE FOLLOWING DEUTSCH MATING CONNECTORS ARE REQUIRED TO CONNECT TO THIS NODE:  
CONNECTOR "A" = DT06-12SA (GRAY), CONNECTOR "B" = DT06-12SB (BLACK), AND CONNECTOR "C" = DT06-12SC (GREEN). TO MAINTAIN ENVIRONMENTAL PERFORMANCE, ALL UNUSED CONNECTOR POSITIONS MUST BE PLUGGED WITH A DEUTSCH, SEALING PLUG P/N 114017.
- 2) SPECIFICATIONS: OPERATING TEMPERATURE RANGE IS -40 °C TO +85 °C  
OPERATING VOLTAGE RANGE IS +9VDC TO +32VDC  
OUTPUT CURRENT RATING IS 80A CONTINUOUS  
ENVIRONMENTAL RATING IS IP-66  
STANDBY CURRENT RATING IS 50mA @ +12VDC & 40mA @ +24VDC
- 3) POWER AND GROUND SHOULD BE CONNECTED TO THE NODE USING 1/4" RING TERMINALS. THE WIRE SELECTED MUST BE CAPABLE OF GREATER THAN 80A CONTINUOUS SUPPLY CURRENT. CONNECTIONS SHOULD BE TORQUED TO 55 IN/LBS ±5 IN/LBS.
- 4) MOUNTING HOLES ARE PROVIDED FOR FOUR, 1/4"-20 FASTENERS POSITIONED AS SHOWN.

UNLESS OTHERWISE SPECIFIED DIMENSIONS ARE IN INCHES TOLERANCES ARE: XXX - .0005 XX - .0020 X - .0050 ANGLES - .017	CAD GENERATED DRAWING. DO NOT MANUALLY UPDATE.		WELDON TECHNOLOGIES, INC.	
	APPROVALS	DATE		
DRAWN	GD	5/29/08	<b>8 X 16 V-MUX NODE (W/PWR STUDS &amp; MNTG BRACKETS)</b>	
CHECKED	EB	6/1/11		
MATERIAL	MFG ENG		<b>C6030-0000-00</b>	
FRESH	DUAL ENG			
DO NOT SCALE DRAWING	PROJECT NO.	00149	SCALE	1:2
				WELDON COMPUTER GRAPHICS