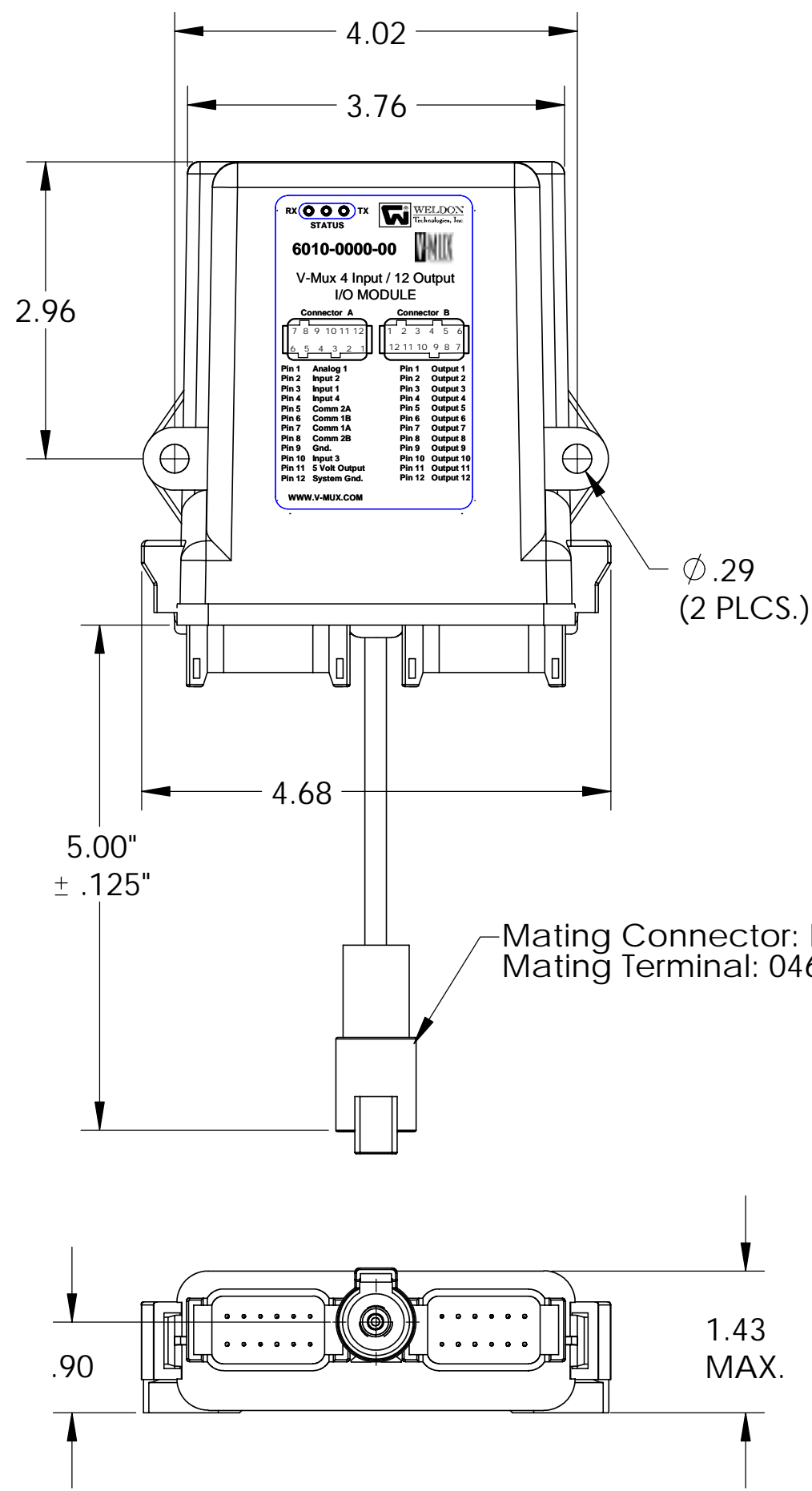
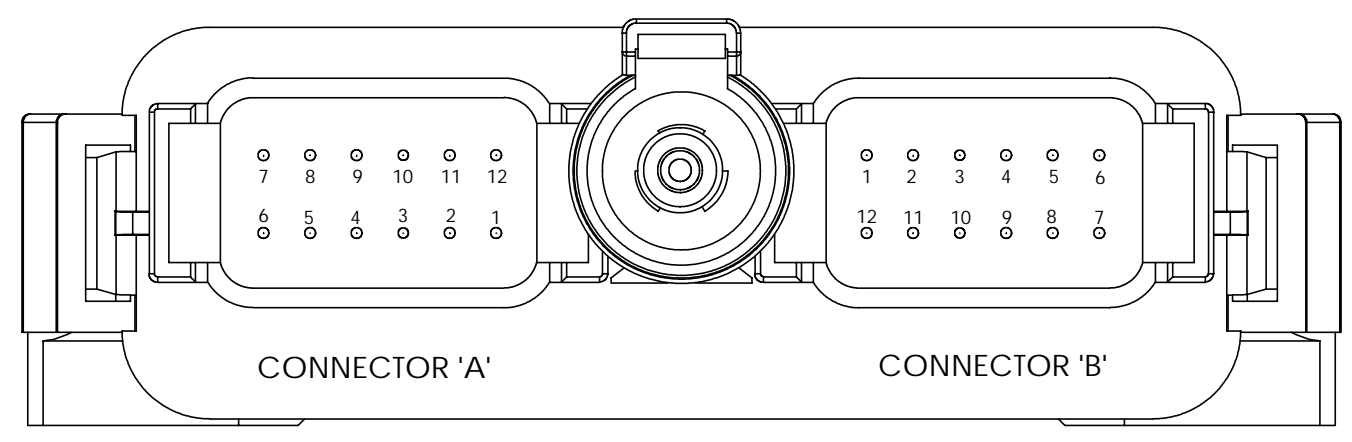


THIS DRAWING AND ALL INFORMATION CONTAINED HEREIN IS THE PROPERTY OF WELDON TECHNOLOGIES, INC. AND MAY NOT BE COPIED, REPRODUCED, OR DEVULGED TO UNAUTHORIZED PERSONS WITHOUT THE EXPRESS WRITTEN CONSENT OF WELDON TECHNOLOGIES, INC. AS IT IS BEING PROVIDED SOLELY FOR THE CONVENIENCE OF THE USER AND SHALL BE RETURNED TO WELDON TECHNOLOGIES, INC. UPON REQUEST.

REV	ECN #	DESCRIPTION	BY	DATE	APVD
A	R0305	RELEASE DOCUMENTATION	TS	-----	ST
B	0351	NEW PIN DESIGNATIONS AT CONNECTOR 'A'	TS	4/10/02	ST
C	0433	@ CONNECTOR 'A', PIN 9 WAS 'COMMS GND'	TS	6/24/03	ST
D	0487	ADDED BULK DC FILTER CAPACITOR	TS	12/5/03	ST
E	0504	EXTENDED DYNAMIC OVER-CURRENT DELAY	DP	2/21/04	ST



Mating Connector: DTHD06-1-8-S
Mating Terminal: 0462-203-08141



Connector 'A'	
Pin	Description
1	Analog 1
2	Input 2
3	Input 1
4	Input 4
5	Comm 2A
6	Comm 1B
7	Comm 1A
8	Comm 2B
9	Gnd.
10	Input 3
11	5 Volt Output
12	System Gnd.

Mating Connector: DTM06-12SA
Mating Terminal: 0462-201-20141

Connector 'B'	
Pin	Description
1	Output 1
2	Output 2
3	Output 3
4	Output 4
5	Output 5
6	Output 6
7	Output 7
8	Output 8
9	Output 9
10	Output 10
11	Output 11
12	Output 12

Mating Connector: DTM06-12SB
Mating Terminal: 0462-201-20141

- NOTES:
1. MOUNT MODULE USING 1/4" DIAMETER (MAX.) HARDWARE, 2 PLACES.
 2. IF THE MODULE WILL BE EXPOSED TO ANY ADVERSE CONDITIONS, MOUNT WITH CONNECTORS POINTING DOWN.

UNLESS OTHERWISE SPECIFIED DIMENSIONS ARE IN INCHES TOLERANCES ARE: X.XXX - ±0.005 X.XX - ±0.020 X.X - ±0.050 ANGLES - ±0.5°	CAD GENERATED DRAWING. DO NOT MANUALLY UPDATE.		WELDON TECHNOLOGIES, INC.	
	APPROVALS	DATE	CUSTOMER/INSTALLATION DRAWING	
MATERIAL	DRAWN TS	3/20/02	V-MUX I/O MODULE	
FINISH	CHECKED ST	5/1/02	4 INPUT/12 OUTPUT	
DO NOT SCALE DRAWING	QUAL ENG		SIZE PART NO.	REV
PROJECT NO. 00124	SCALE 1:1	WELDON COMPUTER GRAPHICS	C6010-0000-00	E
			SHEET 1 OF 1	