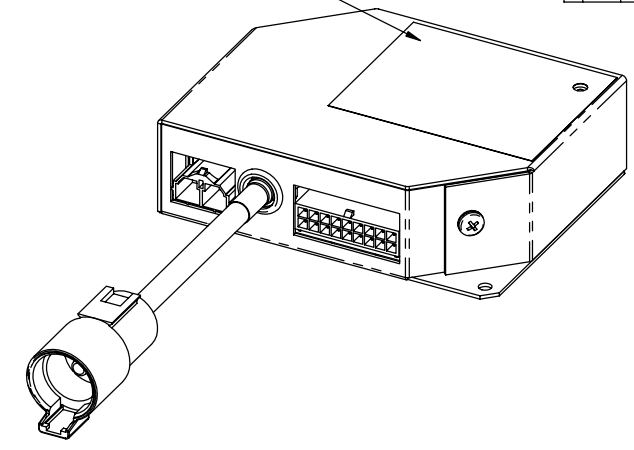
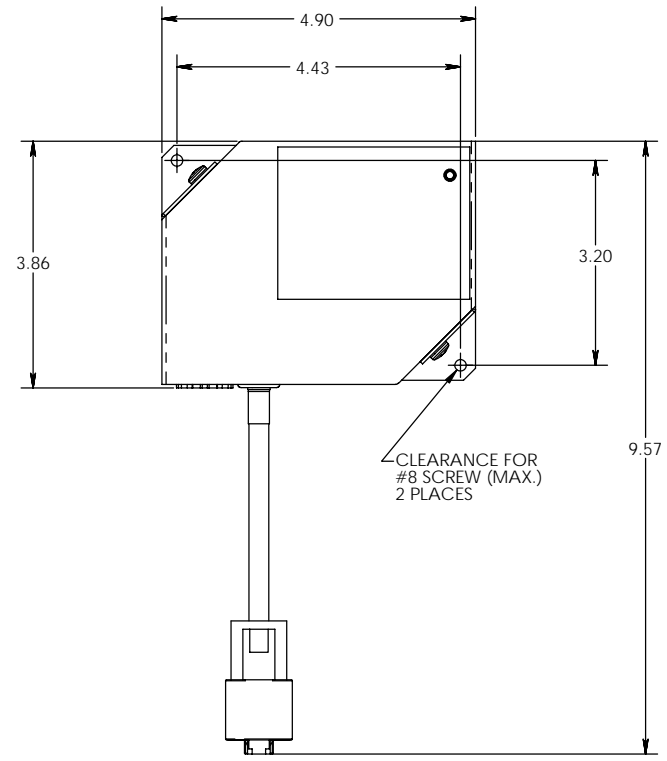


THIS DRAWING AND ALL INFORMATION CONTAINED HEREIN IS THE PROPERTY OF WELDON TECHNOLOGIES, INC. AND MAY NOT BE COPIED, REPRODUCED, OR DISSEMINATED TO UNAUTHORIZED PERSONS WITHOUT THE EXPRESS WRITTEN CONSENT OF WELDON TECHNOLOGIES, INC. AS IT IS BEING PROVIDED SOLELY FOR THE CONVENIENCE OF THE USER AND SHALL BE RETURNED TO WELDON TECHNOLOGIES, INC. UPON REQUEST.

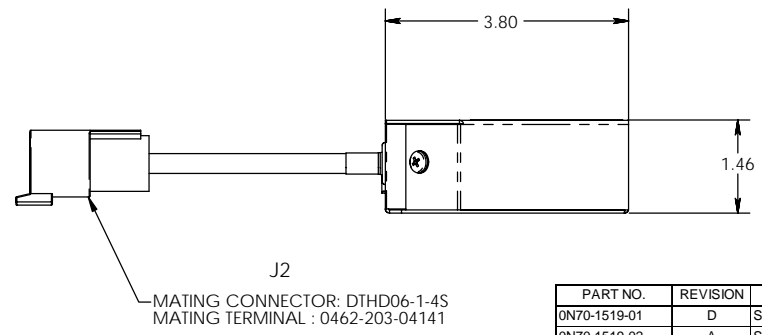
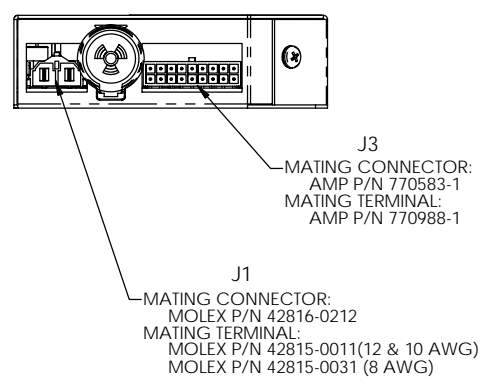
REV.		DESCRIPTION		BY	DATE	APPROV.
A	R0552	DOCUMENTATION RELEASE		LH	12/12/05	ST
B	R0749	REVISED TO ADD FAHRENHEIT & CELSIUS LABELING INFO.		LH	3/14/07	ST
C	0774	CORRECTED DRAWING TO COMPLETE J3 CONNECTOR PIN DESIGNATIONS. ADDED ASSEMBLY REVISION LEVELS.		LH	7/26/07	ST

BLUE DOT INDICATES A FAHRENHEIT UNIT
RED DOT INDICATES A CELSIUS UNIT



PIN CONFIGURATION			
CONN.	PIN	DESCRIPTION	RATING
J1	1	FAN 1	20A
	1	FAN 2	20A
J2	2	DC POWER	60A
J3	1	TEMP. GROUND	--
	2	ATM COMMON	--
	3	SET POINT	--
	4	INSIDE TEMP.	--
	5	PRESSURE IN	--
	6	PRESSURE OUT	--
	7	COMM-B	--
	8	COMM-A	--
	9	SYSTEM GROUND	--
	10	OUTSIDE TEMP.	--
	11	THERMOSTAT 2	--
	12	THERMOSTAT 1	--
	13	ATM POWER	2A
	14	LIQUID SOL. VALVE	2A
	15	CONDENSOR	1A
	16	AIR RELAY	1A
	17	COMP. CLUTCH	5A
	18	WATER PUMP	5A

NOTES/SPECIFICATIONS:
 1. OPERATING TEMPERATURE RANGE: -40°C to 85°C
 2. STORAGE TEMPERATURE RANGE: -40°C to 95°C
 3. INPUT DC VOLTAGE RANGE: 9V to 16V
 4. UNIT SHOULD BE SECURELY MOUNTED TO A METALLIC SURFACE IN A DRY LOCATION AWAY FROM ANY HEAT SOURCE USING #8 (MAX.) HARDWARE. THIS DEVICE IS NOT WATER-PROOF OR SPLASH-PROOF.



PART NO.	REVISION	DESCRIPTION
0N70-1519-01	D	SPARTAN FAHRENHEIT BLUE DOT LABEL
0N70-1519-02	A	SPARTAN CELSIUS RED DOT LABEL
0N70-1519-03	A	WELDON FAHRENHEIT BLUE DOT LABEL
0N70-1519-04	A	WELDON CELSIUS RED DPT LABEL

UNLESS OTHERWISE SPECIFIED TOLERANCES ARE: X.XXX - #1/320 X.XX - #1/160 X.X - #1/80 ANGLES - #1/4	CAD GENERATED DRAWING. DO NOT MANUALLY UPDATE		WELDON TECHNOLOGIES, INC.	
	APPROVALS	DATE	CUSTOMER DRAWING CLIMATE CONTROL NODULE	
DRAWN	TS	9/1/04		
CHECKED	ST	10/19/04		
MATERIAL	MFG ENG			
FRESH	DUAL ENG			
DO NOT SCALE DRAWING	PROJECT NO.		PART NO. C0N70-1519-00	REV. C
	SCALE	1:1	WELDON COMPUTER GRAPHICS SHEET 1 OF 1	