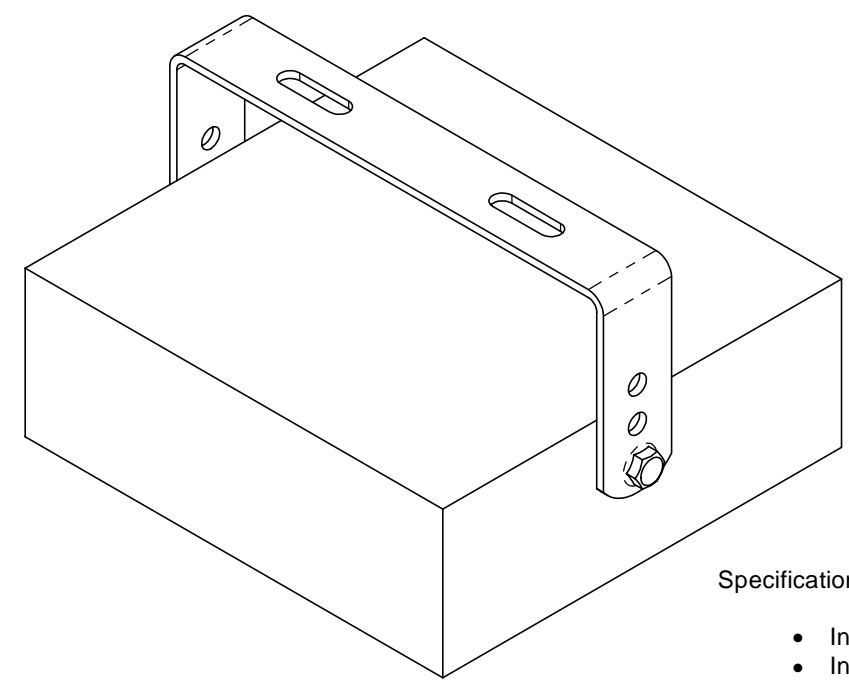
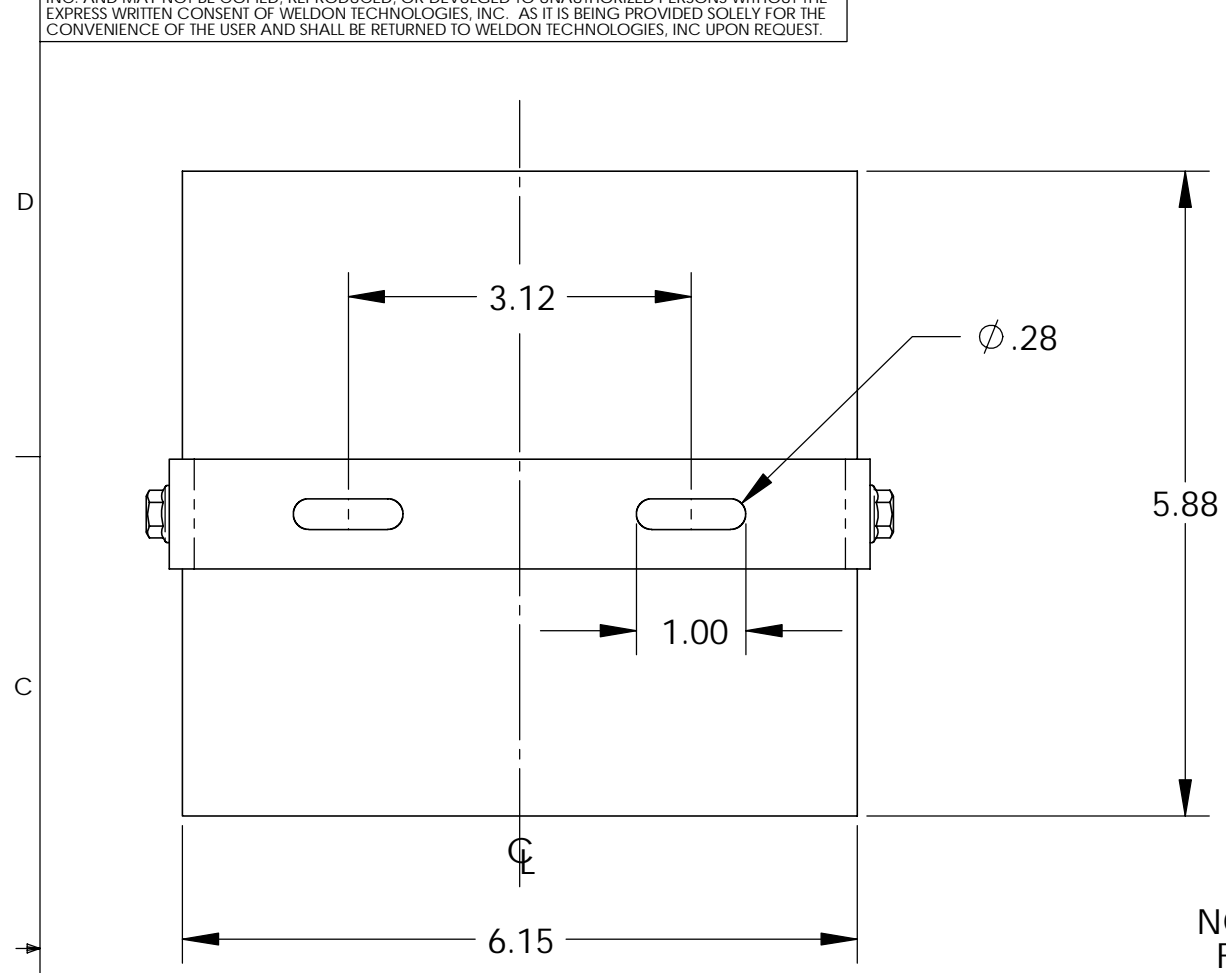


THIS DRAWING AND ALL INFORMATION CONTAINED HEREIN IS THE PROPERTY OF WELDON TECHNOLOGIES, INC. AND MAY NOT BE COPIED, REPRODUCED, OR DEVULGED TO UNAUTHORIZED PERSONS WITHOUT THE EXPRESS WRITTEN CONSENT OF WELDON TECHNOLOGIES, INC. AS IT IS BEING PROVIDED SOLELY FOR THE CONVENIENCE OF THE USER AND SHALL BE RETURNED TO WELDON TECHNOLOGIES, INC. UPON REQUEST.

REVISIONS					
REV.	ECN	DESCRIPTION	DATE	BY	APVD
A	0367	RELEASE AS REFERENCE	1/24/03	TS	ST

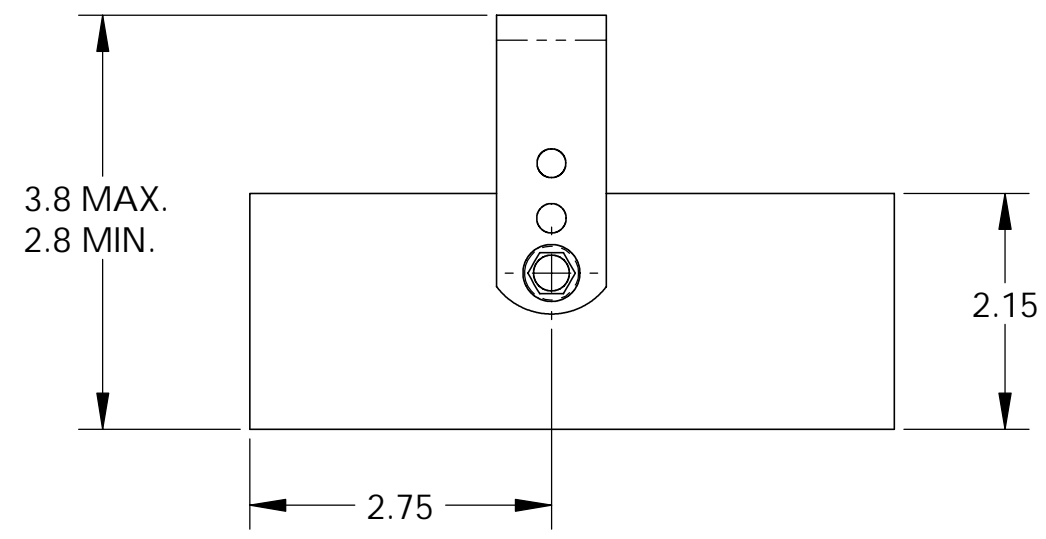
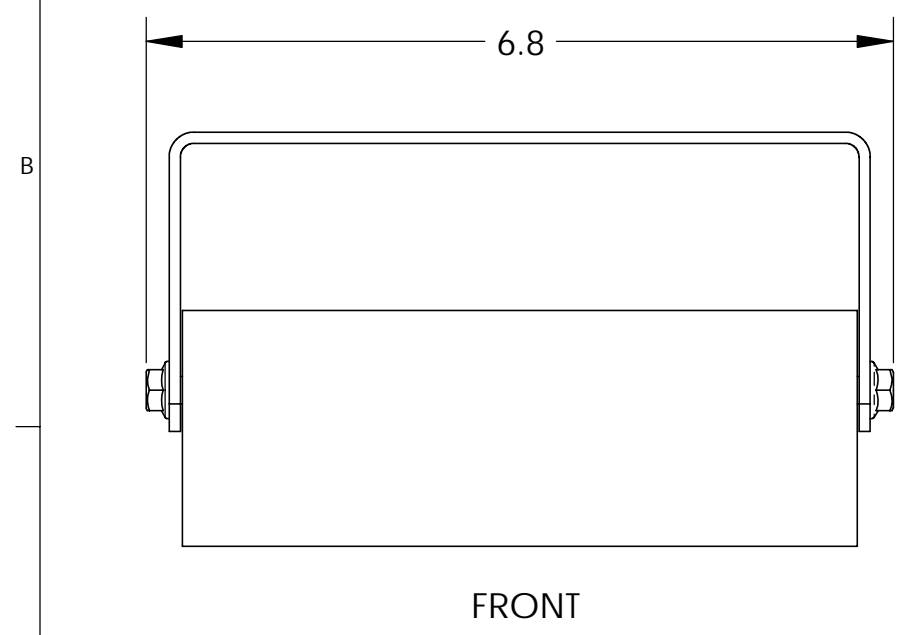


Specifications:

- Input Voltage: 9 – 16 VDC (negative ground)
- Input Current: 8 Amps @ 14 VDC (single 100W speaker) or 16 Amps @ 14 VDC (dual 100W speakers)
- Standby Current: Less than 200 mA
- Audio Frequency: 200Hz – 10 kHz ±3db
- Audio Distortion: Less than 3% @ 1kHz (single 100W speaker)
- Audio Output: 40 watts @ 14 VDC (single 100W speaker)
- Radio Input: 0.75 VRMS min., 400 ohms nominal
- Output Power: 105 WATTS RMS Max. (15 VDC – single 100W speaker) 180 WATTS RMS Max. (15 VDC – dual 100W speaker)
- Siren Frequency: 700Hz – 1450Hz (Two-tone and Horn = 435 & 585Hz)
- Tones/Cycle Rates:

Horn	Wail	Yelp	Phaser	Two-Tone
109 CPS	15 CPM	210 CPM	15 CPS	60 CPM

NOTE:  
FOR WIRING AND OPERATION DETAIL,  
REFER TO MANUAL.



- High Voltage Protection: 16 – 18 VDC will cause siren to cease, resume @ normal voltage (protects speaker from overpower)
- Short Circuit Current: 50 Amps (supply circuit must be capable of 50 Amps)
- Operating Temperature: -15° F to +140° F
- Controls: 4 Pos. rotary mode switch (Yelp, Wail, Standby & Radio)  
Momentary push-button horn switch  
Momentary push-button Manual/Phaser toggle switch  
Auxiliary input connection jumper-programmable for positive or negative horn  
Manual/Phaser or horn ring cyler operation  
Cutout input connection jumper-programmable for positive or negative latching cutout operation
- Connections: (10 pin conn.) (2) Positive, (2) Negative, (2) Speaker, (2) Radio, Cutout, Auxiliary
- Size: 6 1/8" Wide, 5 7/8" Deep, 2 1/8" High
- Shipping Weight: 4 1/2 lbs
- Optional Modes Include: Detachable Microphone / 28 Volt / Positive Ground / Meets Class A sound level tests / Calif. Title 13 Configurable/ Meets KKK-A-1822C for Ambulance

UNLESS OTHERWISE SPECIFIED DIMENSIONS ARE IN INCHES TOLERANCES ARE: X.XXX - ±0.005 X.XX - ±0.020 X.X - ±0.050 ANGLES - ±0.5°	CAD GENERATED DRAWING, DO NOT MANUALLY UPDATE		<b>WELDON TECHNOLOGIES, INC.</b>	
	APPROVALS	DATE		
	DRAWN	TS 10/10/02	9187-9500-00 CUSTOMER DWG.	
	CHECKED	ST 1/8/03		
MATERIAL	QUAL ENG	SIZE	PART NO.	REV.
FINISH	MFG ENG	B	C9187-9500-00	A
DO NOT SCALE DRAWING	PROJ. NO.	SCALE:	1:1	WELDON COMPUTER GRAPHICS SHEET 1 OF 1