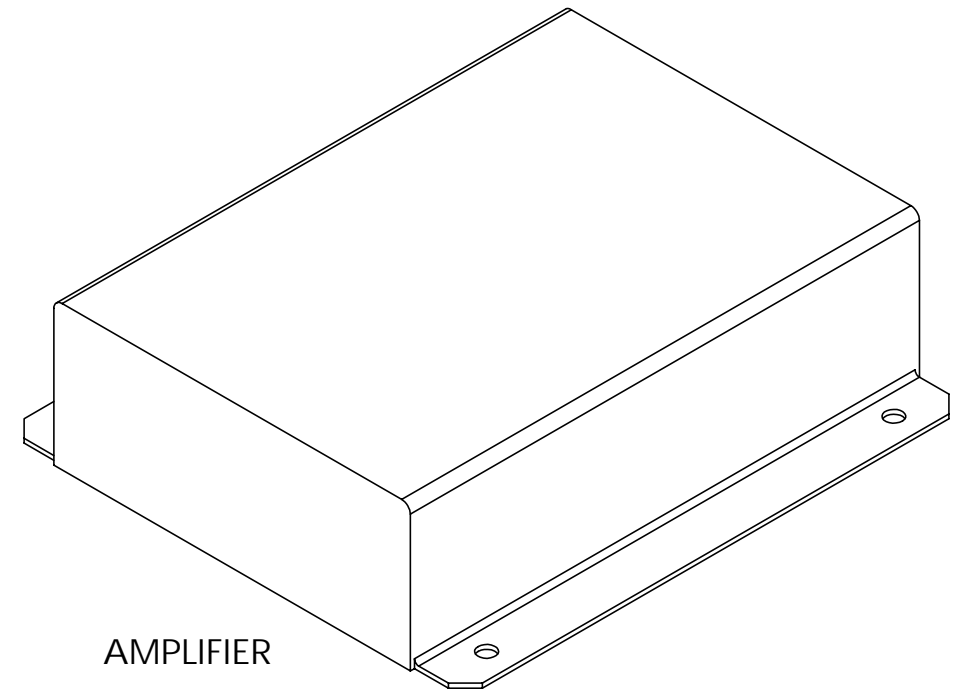
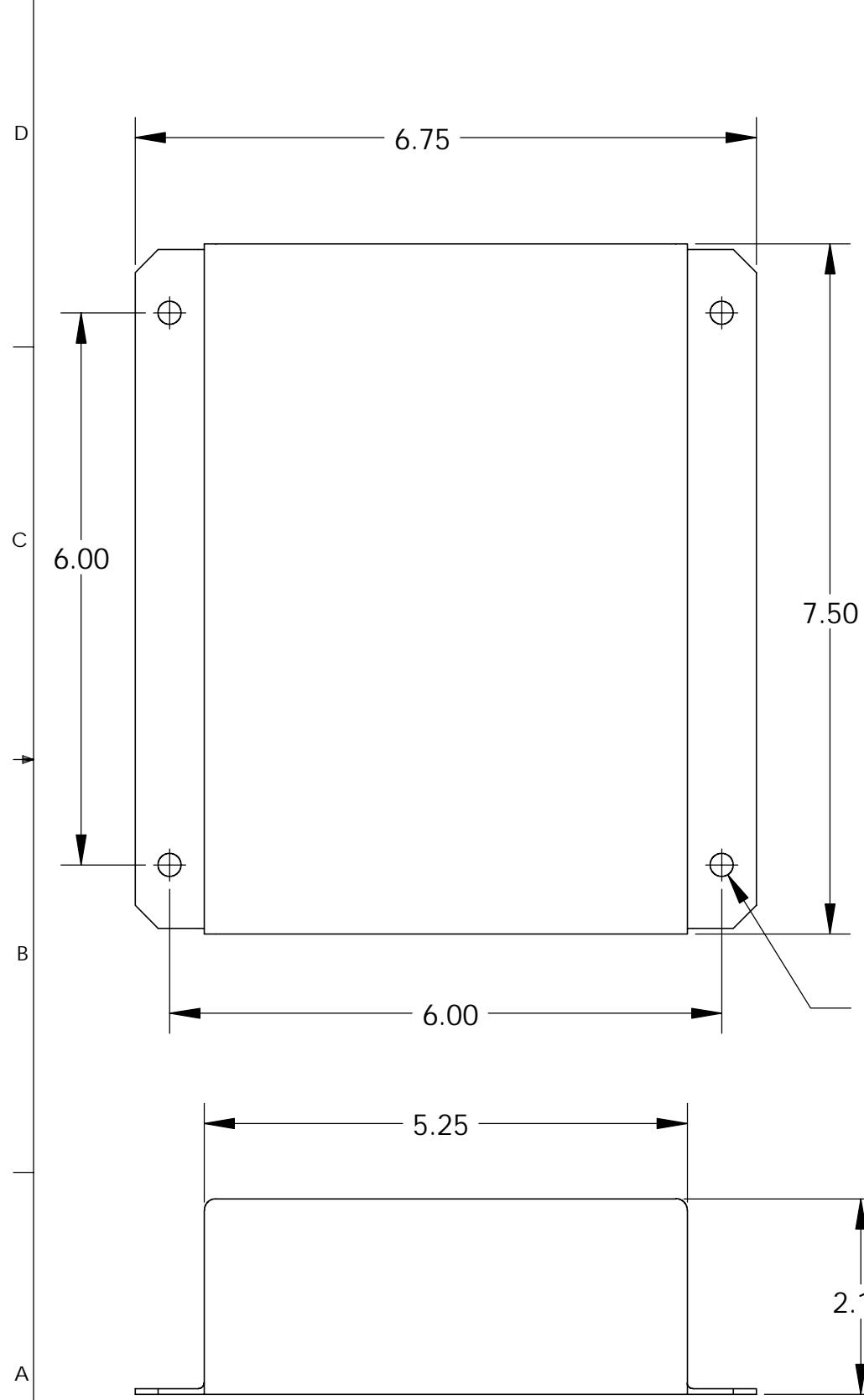


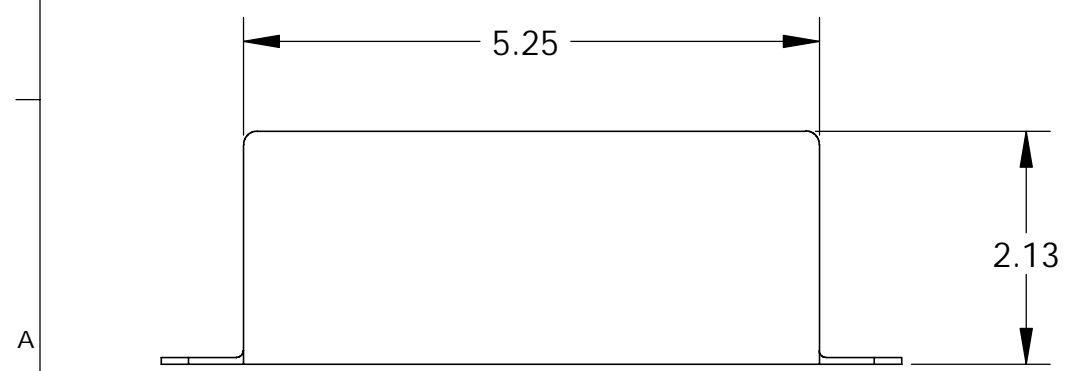
THIS DRAWING AND ALL INFORMATION CONTAINED HEREIN IS THE PROPERTY OF WELDON TECHNOLOGIES, INC. AND MAY NOT BE COPIED, REPRODUCED, OR DEVULGED TO UNAUTHORIZED PERSONS WITHOUT THE EXPRESS WRITTEN CONSENT OF WELDON TECHNOLOGIES, INC. AS IT IS BEING PROVIDED SOLELY FOR THE CONVENIENCE OF THE USER AND SHALL BE RETURNED TO WELDON TECHNOLOGIES, INC. UPON REQUEST.

REVISIONS					
REV.	ECN	DESCRIPTION	DATE	BY	APVD
A	0367	RELEASE AS REFERENCE	1/24/03	TS	ST

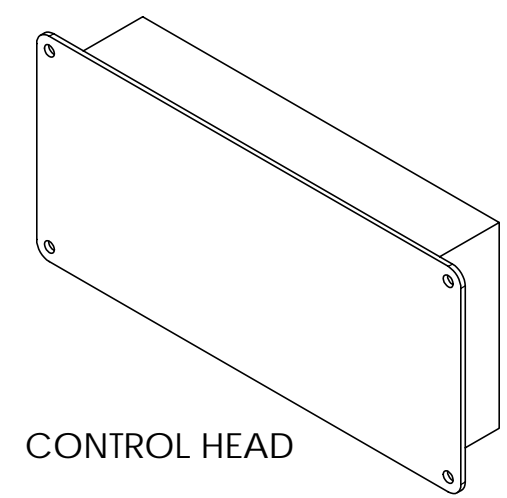


AMPLIFIER

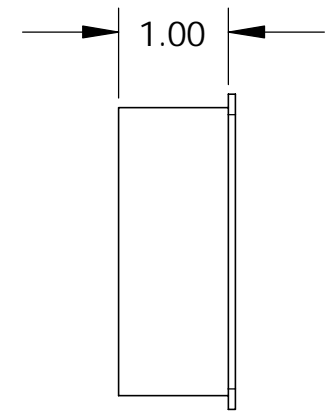
NOTE:
FOR WIRING AND OPERATION DETAIL,
REFER TO MANUAL.



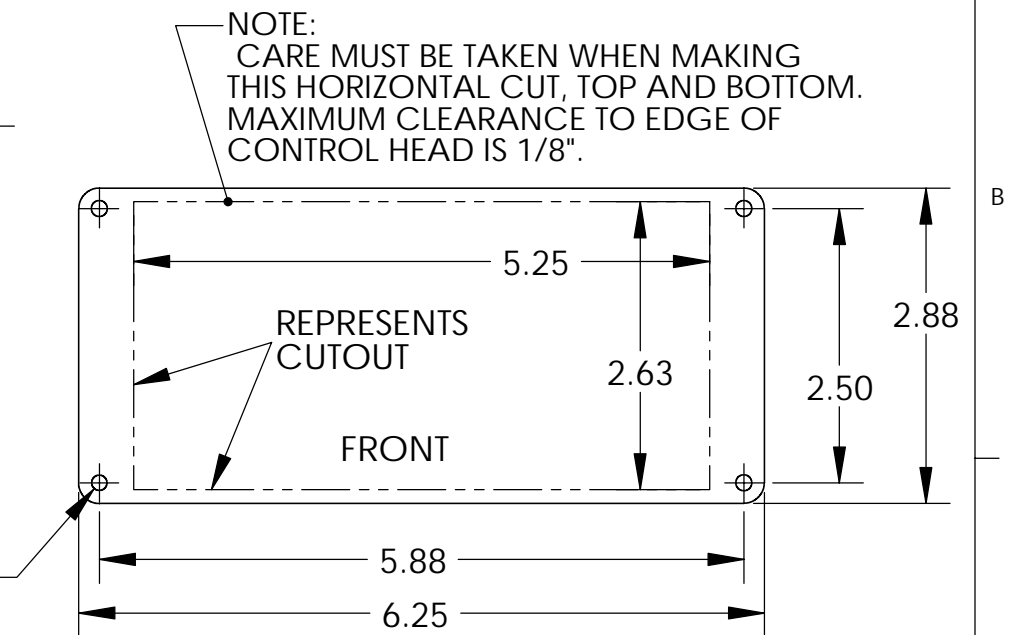
FRONT



CONTROL HEAD



Ø.14
CLEARANCE FOR
#4 MTG. HDWR.



NOTE:
CARE MUST BE TAKEN WHEN MAKING
THIS HORIZONTAL CUT, TOP AND BOTTOM.
MAXIMUM CLEARANCE TO EDGE OF
CONTROL HEAD IS 1/8".

UNLESS OTHERWISE SPECIFIED DIMENSIONS ARE IN INCHES TOLERANCES ARE: X.XXX - ±0.005 X.XX - ±0.020 X.X - ±0.050 ANGLES - ±0.5°		CAD GENERATED DRAWING, DO NOT MANUALLY UPDATE		WELDON TECHNOLOGIES, INC.	
APPROVALS		DATE		9187-9430-00 CUSTOMER DWG.	
DRAWN TS		10/10/02			
CHECKED ST		1/8/03			
QUAL ENG					
MATERIAL		MFG ENG		SIZE B PART NO. C9187-9430-00 REV. A	
FINISH		PROJ. NO.		SCALE: 1:1 WELDON COMPUTER GRAPHICS SHEET 1 OF 1	

Specifications:

- Input Voltage: 11 – 16 VDC (negative ground)
- Input Current: 8 Amps @ 14 VDC (single 100W speaker) or 16 Amps @ 14 VDC (dual 100W speakers)
- Standby Current: Less than 250 mA
- Audio Frequency: 200Hz – 10 kHz ±3db
- Audio Distortion: Less than 3% @ 1kHz (single 100W speaker)
- Audio Output: 40 watts @ 14 VDC (single 100W speaker)
- Radio Input: 0.75 VRMS min., 400 ohms nominal
- Output Power: 105 WATTS RMS Max. (15 VDC – single 100W speaker)
180 WATTS RMS Max. (15 VDC – dual 100W speakers)
- Siren Frequency: 700Hz – 1500Hz (Two-tone and Horn = 435 & 585Hz)
- Tones/Cycle Rates:

Horn	Wail	Yelp	Phaser	Two-Tone
109 CPS	13 CPM	190 CPM	15 CPS	60 CPM

- High Voltage Protection: 16 – 18 VDC will cause siren to cease, resume @ normal voltage (protects speaker from overpower)
- Short Circuit Current: 50 Amps (supply circuit must be capable of 50 Amps)
- Operating Temperature: -15° F to +140° F
- Controls: 6 Pos. rotary mode switch (Phaser, Yelp, Wail, Manual, Horn & Radio)
Momentary push-button siren switch
Front panel mounted PA volume control
Auxiliary input for positive or negative connection
- Amplifier Settings: Radio volume adjust & 8-position switch option selector
- Head Connections: Positive, Negative, Auxiliary, Control Output, Backlight Input
- Amplifier Conn.: (2) Positive, (2) Negative, (2) Speaker, (2) Radio, Aux., Cutout
- Amplifier Size: 8" Wide, 6 3/4" Deep, 2 1/8" High
- Head Size: 6 1/4" Wide, 1" Deep, 2 7/8" High
- Shipping Weight: 5 1/2 lbs
- Optional Modes Include: Detachable Microphone / 28 Volt / Positive Ground / Option to wire microphone directly to Amplifier / Meets Class A sound level tests / Calif. Title 13 Configurable / Meets KKK-A-1822C for Ambulance