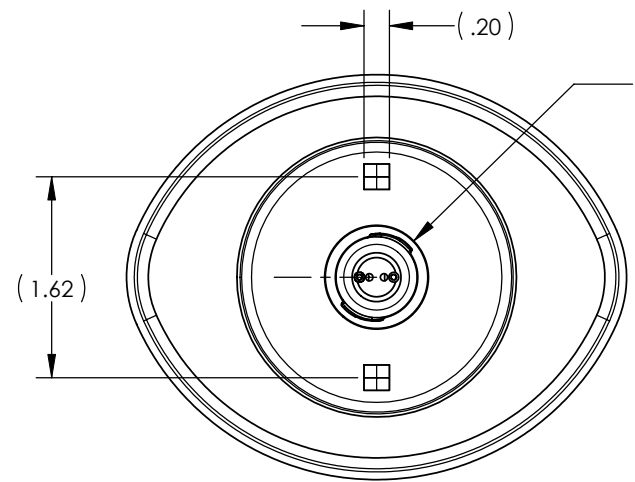
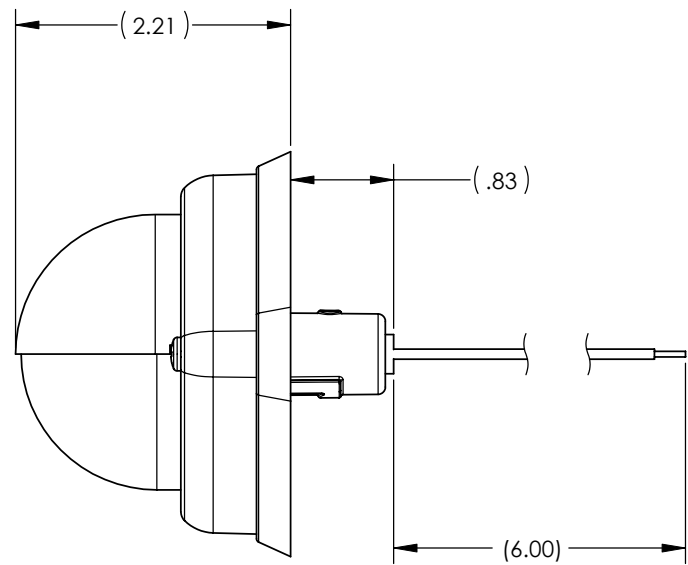
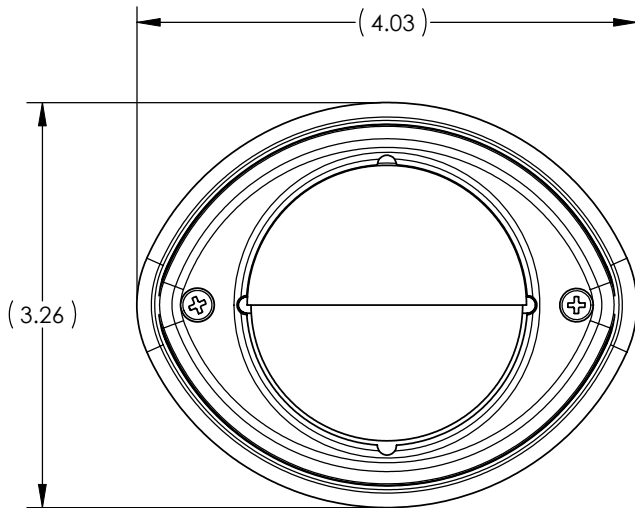


THIS DRAWING AND ALL INFORMATION CONTAINED HEREIN IS THE PROPERTY OF WELDON TECHNOLOGIES, INC. AND MAY NOT BE COPIED, REPRODUCED, OR DIVULGED TO UNAUTHORIZED PERSONS WITHOUT THE EXPRESS WRITTEN CONSENT OF WELDON TECHNOLOGIES, INC. AS IT IS BEING PROVIDED SOLELY FOR THE CONVENIENCE OF THE USER AND SHALL BE RETURNED TO WELDON TECHNOLOGIES, INC. UPON REQUEST.

REVISIONS					
REV.	ECN	DESCRIPTION	DATE	BY	APVD
A	R0806	DOCUMENTATION RELEASE	1/18/08	TS	ST



Ø .87 MIN. CLEARANCE HOLE

**MATERIALS:**  
 HOUSING AND SOCKET - STEEL, ZINC PLATE WITH CHROMATE CONVERSION COATING  
 SHIELD AND BEZEL - POLISHED STAINLESS STEEL  
 LENS - GLASS, CLEAR  
 BEZEL SCREWS - #8-32, STAINLESS STEEL, PASSIVATED  
 LENS GASKET - SILICON RUBBER, WHITE  
 MOUNTING PAD - BLACK, PVC  
 BULB - #1076, 32CP, S-8, DUAL CONTACT

WIRE TABLE	
COLOR	FUNCTION
BLACK	POWER (+)
WHITE	GROUND (-)

NOTE:  
 DIMENSIONS IN ( ) ARE FOR REFERENCE ONLY.

UNLESS OTHERWISE SPECIFIED DIMENSIONS ARE IN INCHES TOLERANCES ARE: X.XXX - ±0.005 X.XX - ±0.020 X.X - ±0.050 ANGLES - ±0.5°	CAD GENERATED DRAWING. DO NOT MANUALLY UPDATE		<b>WELDON TECHNOLOGIES, INC.</b>	
	APPROVALS	DATE		
MATERIAL	DRAWN	LH	1/4/08	CUSTOMER DRAWING: STEPWELL LAMP CLEAR, 32 CP, DUAL WIRE
FINISH	CHECKED	ST	1/4/08	
DO NOT SCALE DRAWING	PROJ. NO.			SIZE B
				PART NO. C9186-8563-30
				SCALE: 1:1
				WELDON COMPUTER GRAPHICS SHEET 1 OF 1

BACK VIEW