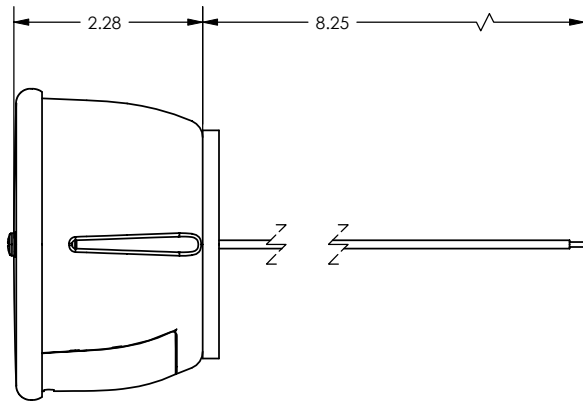
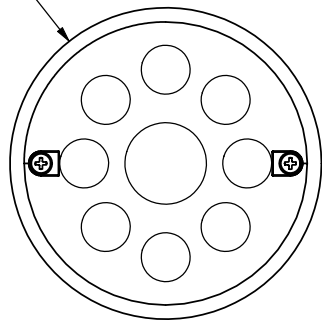


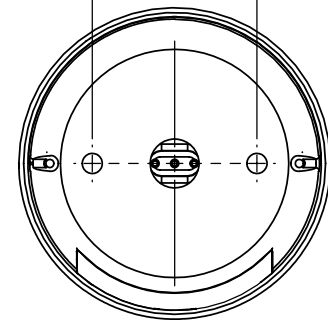
THIS DRAWING AND ALL INFORMATION CONTAINED HEREIN IS THE PROPERTY OF WELDON TECHNOLOGIES, INC. AND MAY NOT BE COPIED, REPRODUCED, OR DIVULGED TO UNAUTHORIZED PERSONS WITHOUT THE EXPRESS WRITTEN CONSENT OF WELDON TECHNOLOGIES, INC. AS IT IS BEING PROVIDED SOLELY FOR THE CONVENIENCE OF THE USER AND SHALL BE RETURNED TO WELDON TECHNOLOGIES, INC. UPON REQUEST.

REVISIONS				
REV.	ECN	DESCRIPTION	DATE	BY / APVD
A	R0909	RELEASE FOR PRODUCTION	--	TB

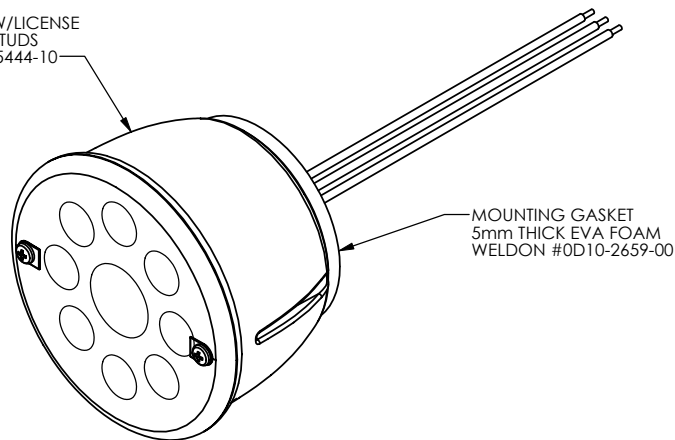
Ø3.76



2.00 MOUNTING HOLES



L.E.D. STOP/TAL W/LICENSE  
NO MOUNTING STUDS  
WELDON #9186-5444-10



MOUNTING GASKET  
5mm THICK EVA FOAM  
WELDON #0D10-2659-00

NOTES:

- THIS LAMP ASSEMBLY IS TO COMPLY WITH FMVSS 108 AND ANY SAE STANDARDS REFERENCED THEREIN WITH RESPECT TO THE FOLLOWING:
  - A.) STOP LAMPS (OVER 80") PER SAE J1398 MAY85
  - B.) TAIL LAMPS PER SAE J585e SEP77
  - C.) TURN SIGNAL LAMPS (OVER 80") PER SAE J1395 APR85
  - D.) LICENSE LAMPS PER SAE J587 OCT81
  - E.) LENS MATERIALS PER SAE J576 JUL91
  - F.) COLOR PER SAE J578c FEB77
  - G.) TEST REQUIREMENTS PER SAE J575e AUG70
- CERTIFICATION DOCUMENTS SHALL BE AVAILABLE UPON REQUEST.
- WIRE COLOR, CONNECTOR POSITION, FUNCTION:
  - WHITE WIRE - GROUND
  - BLACK WIRE - TAIL
  - RED WIRE - STOP

UNLESS OTHERWISE SPECIFIED DIMENSIONS ARE IN INCHES TOLERANCES ARE: X.XXX - ±0.005 X.XX - ±0.020 X.X - ±0.050 ANGLES - ±0.5°	CAD GENERATED DRAWING. DO NOT MANUALLY UPDATE		<b>WELDON TECHNOLOGIES, INC.</b>	
	APPROVALS	DATE		
MATERIAL	DRAWN BARNETT	9/15/09	CUSTOMER DRAWING LED STOP/TAIL WITH LICENSE NO MOUNTING STUDS	
FINISH	CHECKED			
DO NOT SCALE DRAWING	PROJ. NO.		SIZE B	PART NO. C9186-5444-10
			SCALE:	REV. A
			WELDON COMPUTER GRAPHICS SHEET 1 OF 1	