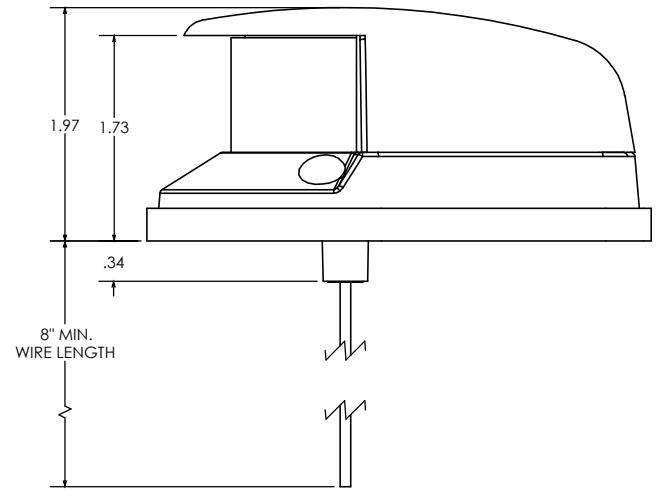
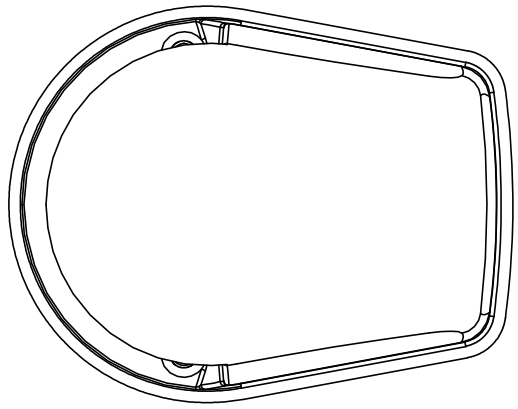
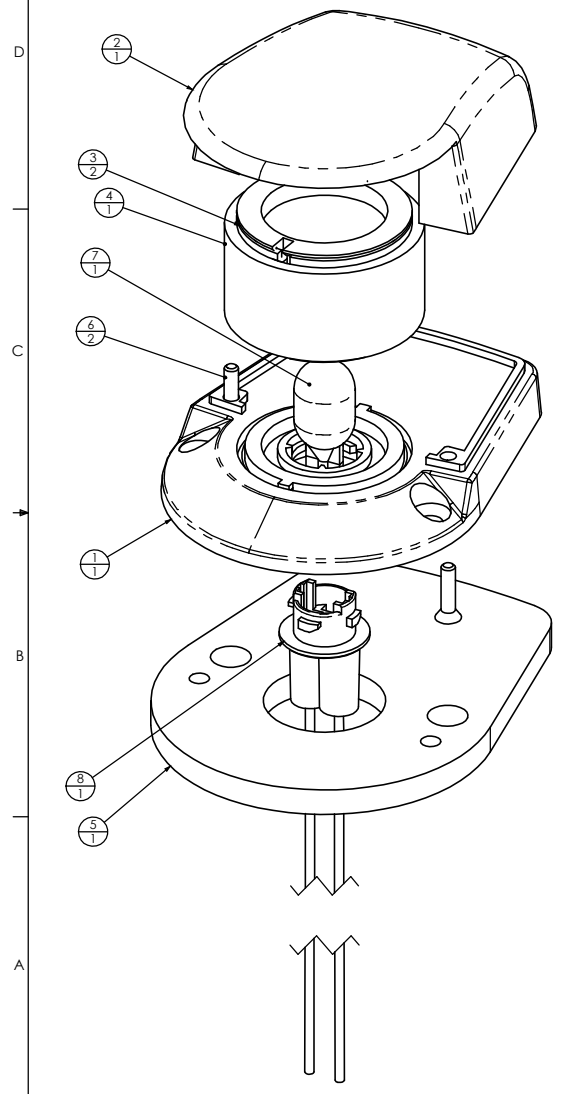


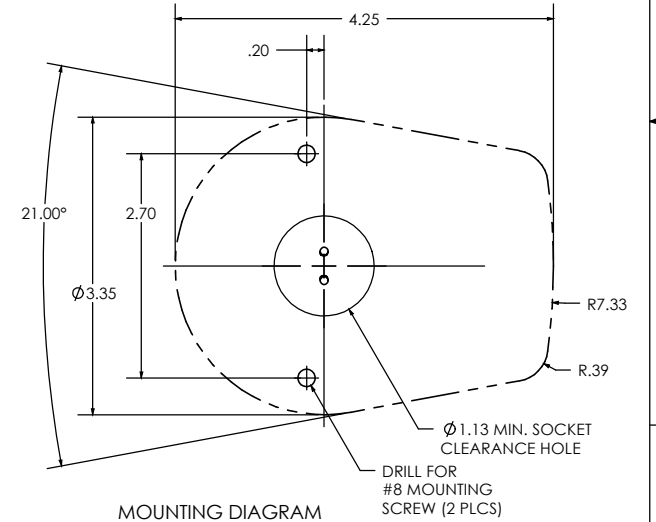
THIS DRAWING AND ALL INFORMATION CONTAINED HEREIN IS THE PROPERTY OF WELDON TECHNOLOGIES, INC. AND MAY NOT BE COPIED, REPRODUCED, OR DEVLGLED TO UNAUTHORIZED PERSONS WITHOUT THE EXPRESS WRITTEN CONSENT OF WELDON TECHNOLOGIES, INC. AS IT IS BEING PROVIDED SOLELY FOR THE CONVENIENCE OF THE USER AND SHALL BE RETURNED TO WELDON TECHNOLOGIES, INC UPON REQUEST.

REVISIONS				
REV.	ECN	DESCRIPTION	DATE	BY / APVD
A	0043	RELEASE CUSTOMER DRAWING		

ITEM NO.	QTY.	DESCRIPTION
1	1	Housing, Black, High Temp. 180 deg. C Min.
2	1	Bezel, Chrome Plated Zinc Diecast (Zamak #3)
3	2	Lens Gasket, PVC-Black
4	1	Lens, Clear Polycarbonate
5	1	Mtg. Gasket, Black Closed Cell Foam Rubber
6	2	6-32x.5 Screw, Phillips Flat Head, Steel W/Bright Zinc
7	1	Bulb, T-5 Wedge Base, #906, 6cp, 13V/.69A
8	1	Socket, Sealed Wedge Base
9	1	Individual Packing Box, Not Shown
10	1/100	Master Carton, Not Shown
11	1	Inner Carton Label, Not Shown



USE #8 FLAT HEAD MOUNTING SCREWS (NOT INCLUDED)



UNLESS OTHERWISE SPECIFIED DIMENSIONS ARE IN INCHES TOLERANCES ARE: X.XXX - +0.005 X.XX - +0.020 X.X - +0.050 ANGLES - +0.5°	CAD GENERATED DRAWING. DO NOT MANUALLY UPDATE.		WELDON TECHNOLOGIES, INC.	
	APPROVALS		DATE	
DRAWN	TS	3/9/1999		
CHECKED	ST	3/12/1999		
MATERIAL				
FRESH				
DO NOT SCALE DRAWING	PROJ. NO.	00107	SIZE B	PART NO. C9186-23882-30
			SCALE: 1:1	REV. A

STEPWELL LAMP ASSEMBLY
WELDON COMPUTER GRAPHICS SHEET 1 OF 1