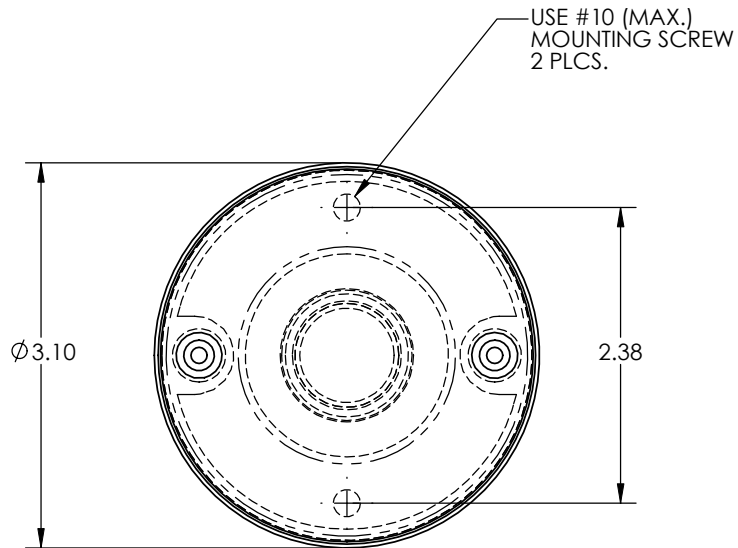


THIS DRAWING AND ALL INFORMATION CONTAINED HEREIN IS THE PROPERTY OF WELDON TECHNOLOGIES, INC. AND MAY NOT BE COPIED, REPRODUCED, OR DEVIATED TO UNAUTHORIZED PERSONS WITHOUT THE EXPRESS WRITTEN CONSENT OF WELDON TECHNOLOGIES, INC. AS IT IS BEING PROVIDED SOLELY FOR THE CONVENIENCE OF THE USER AND SHALL BE RETURNED TO WELDON TECHNOLOGIES, INC UPON REQUEST.

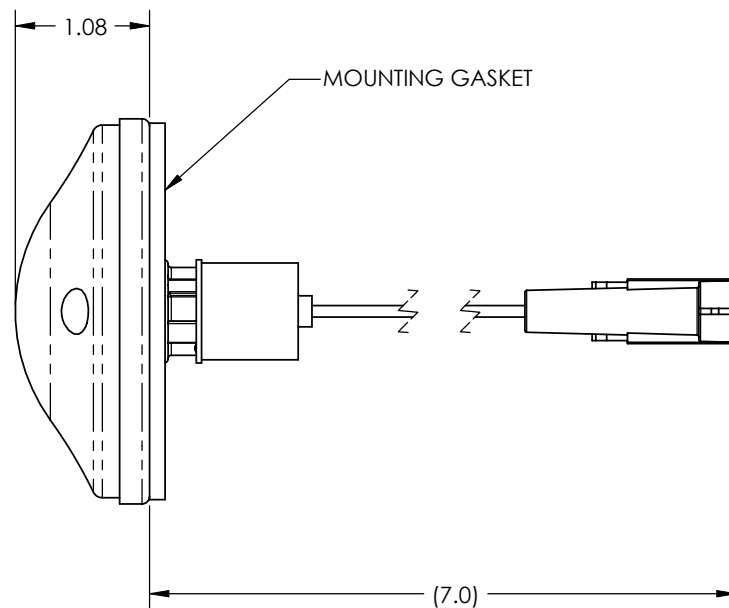
REVISIONS					
REV.	ECN	DESCRIPTION	DATE	BY	APVD
A	R0482	DOCUMENTATION RELEASE	2/12/04	TS	ST



NOTE:
BULB - #89, 6cp
SINGLE CONTACT
BAYONET

MATING CONNECTOR PART NUMBERS
ARE AS FOLLOWS:
CONNECTOR, MALE -----12015791
SEAL-----12015323 (2.85 - 2.03 CABLE DIAMETER)
TERMINAL-----12124580 (2.0 - 1.0 CABLE RANGE)

NOTE:
SEE PACKARD CATALOG FOR SEAL AND TERMINAL PART NUMBERS
FOR CABLE SIZES OTHER THAN THOSE SPECIFIED ABOVE.



UNLESS OTHERWISE SPECIFIED DIMENSIONS ARE IN INCHES TOLERANCES ARE: X.XXX - ±0.005 X.XX - ±0.020 X.X - ±0.050 ANGLES - ±0.5°	CAD GENERATED DRAWING. DO NOT MANUALLY UPDATE		WELDON TECHNOLOGIES, INC.	
	APPROVALS	DATE	STEPWELL LAMP W/BOOT, 6cp SING. POS. PACKARD	
DRAWN	TS 12/11/03			
CHECKED	ST 12/2/03			
QUAL ENG				
MATERIAL	MFG ENG			
FINISH				
DO NOT SCALE DRAWING	PROJ. NO.			

SIZE: B PART NO. C8025-9100-31 REV. A
SCALE: NTS WELDON COMPUTER GRAPHICS SHEET 1 OF 1