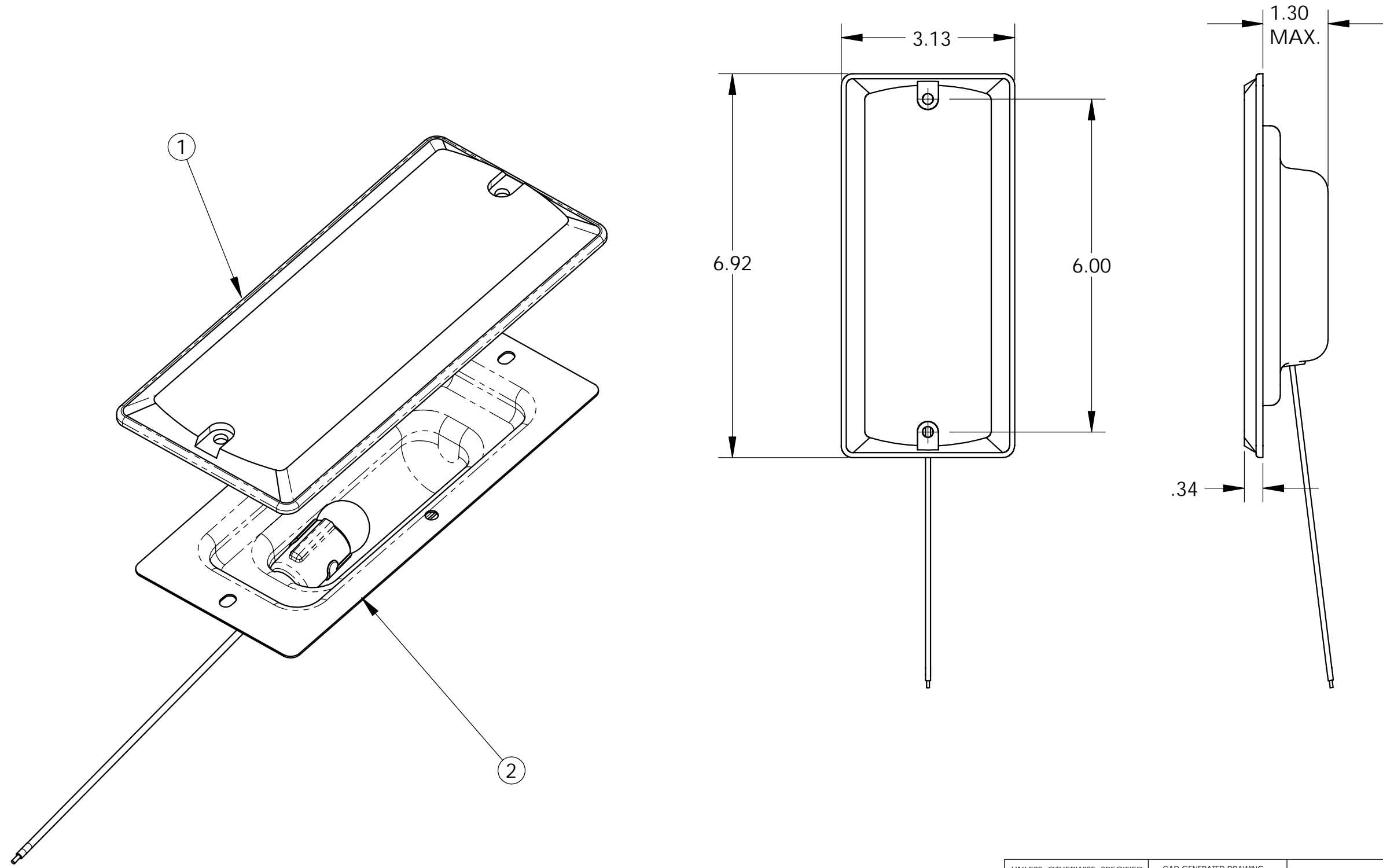


THIS DRAWING AND ALL INFORMATION CONTAINED HEREIN IS THE PROPERTY OF WELDON TECHNOLOGIES, INC. AND MAY NOT BE COPIED, REPRODUCED, OR DEVULGED TO UNAUTHORIZED PERSONS WITHOUT THE EXPRESS WRITTEN CONSENT OF WELDON TECHNOLOGIES, INC. AS IT IS BEING PROVIDED SOLELY FOR THE CONVENIENCE OF THE USER AND SHALL BE RETURNED TO WELDON TECHNOLOGIES, INC UPON REQUEST.

REVISIONS					
REV.	ECN	DESCRIPTION	DATE	BY	APVD
A	R0297	DOCUMENTATION RELEASE	9/28/01	TS	ST



Item No.	Part Number	Description	Qty.
1	8004-0000-30	Lens, Dome, Clear	1
2	8015-1090-00	Dome Lamp, 6cp (without lens)	1

UNLESS OTHERWISE SPECIFIED DIMENSIONS ARE IN INCHES TOLERANCES ARE: X.XXX - ±0.005 X.XX - ±0.020 X.X - ±0.050 ANGLES - ±0.5°		CAD GENERATED DRAWING, DO NOT MANUALLY UPDATE		<b>WELDON TECHNOLOGIES, INC.</b>	
MATERIAL		APPROVALS	DATE		
FINISH		DRAWN	TS 9/28/01	<b>DOMELAMP, 6CP CLEAR LENS</b>	
DO NOT SCALE DRAWING		CHECKED	ST 9/28/01		
FILE LOCATION \\CAD_LIB\DWG_LIB\8\		QUAL ENG		SIZE	PART NO.
PROJ. NO.		SCALE: 1:1	WELDON COMPUTER GRAPHICS	B	8015-1090-30
		SHEET 1	OF 1	REV	A