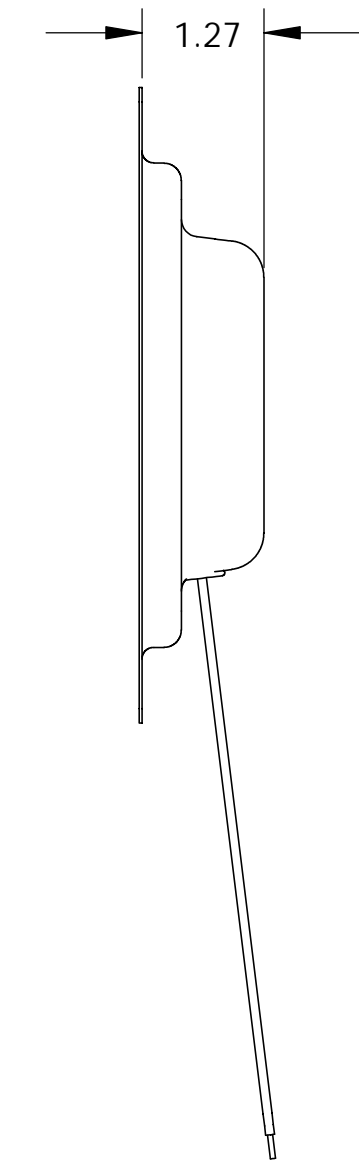
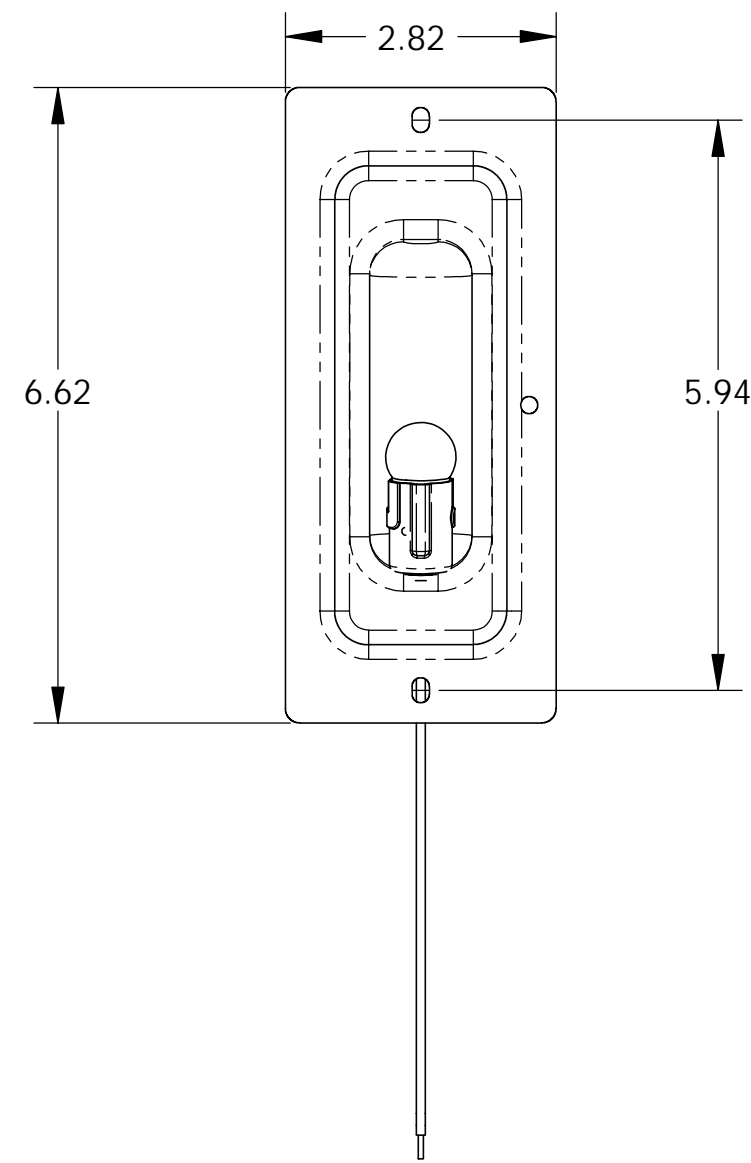
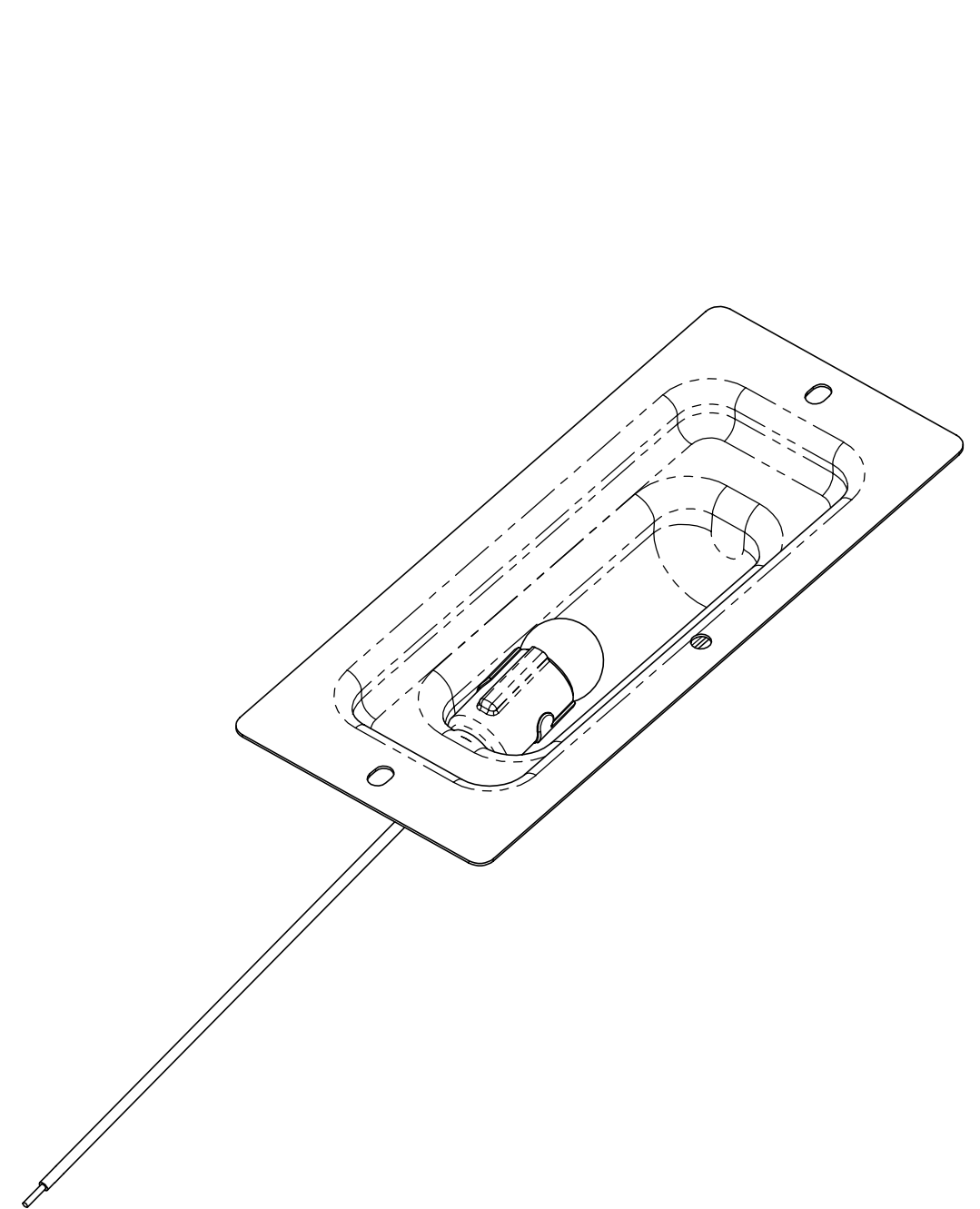


THIS DRAWING AND ALL INFORMATION CONTAINED HEREIN IS THE PROPERTY OF WELDON TECHNOLOGIES, INC. AND MAY NOT BE COPIED, REPRODUCED, OR DIVULGED TO UNAUTHORIZED PERSONS WITHOUT THE EXPRESS WRITTEN CONSENT OF WELDON TECHNOLOGIES, INC. AS IT IS BEING PROVIDED SOLELY FOR THE CONVENIENCE OF THE USER AND SHALL BE RETURNED TO WELDON TECHNOLOGIES, INC UPON REQUEST.

REVISIONS					
REV.	ECN	DESCRIPTION	DATE	BY	APVD
A	R0311	DOCUMENTATION RELEASE	11/16/01	TS	ST



Item No.	Part Number	Description	Qty.
1	8001-0001-00	Body, Sub-Assembly, 8005/8015	1
2	9007-0000-00	Spring, S/S	1
3	9018-0012-00	Bulb, Miniature, #93, 15cp	1
4	9086-0000-00	Assembly, Wire, 6"	1

UNLESS OTHERWISE SPECIFIED DIMENSIONS ARE IN INCHES TOLERANCES ARE: X.XXX - ±0.005 X.XX - ±0.020 X.X - ±0.050 ANGLES - ±0.5*	CAD GENERATED DRAWING, DO NOT MANUALLY UPDATE		WELDON TECHNOLOGIES, INC.	
	APPROVALS	DATE		
	DRAWN	TS 11/16/01	DOMELAMP, 15 CP NO LENS	
	CHECKED	ST 12/1/01		
MATERIAL	QUAL ENG	SIZE	PART NO.	REV.
FINISH	FILE LOCATION	B	C8005-1000-00	A
DO NOT SCALE DRAWING	PROJ. NO.	SCALE: 1:1	WELDON COMPUTER GRAPHICS	SHEET 1 OF 1