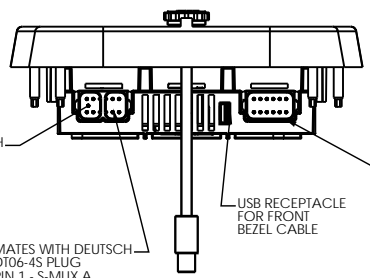
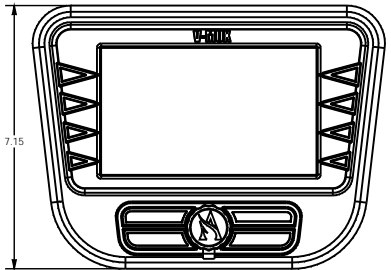
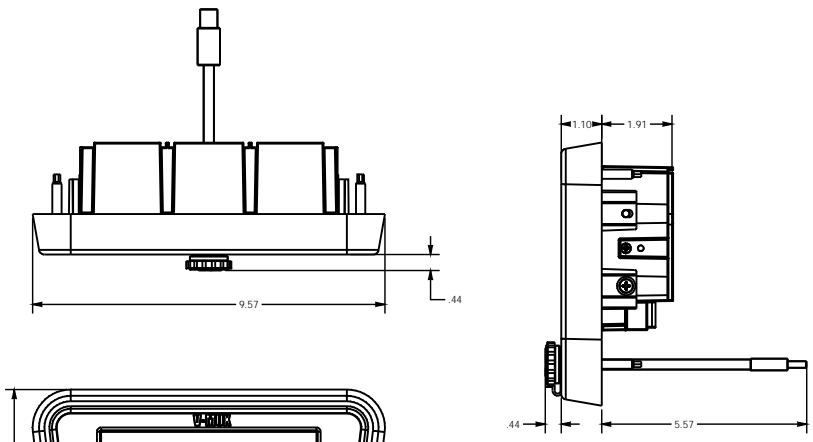


THIS DRAWING AND ALL INFORMATION CONTAINED HEREIN IS THE PROPERTY OF WELDON TECHNOLOGIES, INC. AND MAY NOT BE COPIED, REPRODUCED, OR DEVELOPED TO TRANSMITTED PERSONS WITHOUT THE EXPRESS WRITTEN CONSENT OF WELDON TECHNOLOGIES, INC. ANY USE BEING PROVIDED SHALL BE FOR THE CONVENIENCE OF THE USER AND SHALL BE RETURNED TO WELDON TECHNOLOGIES, INC. UPON REQUEST.

REV	DATE	DESCRIPTION	BY	CHKD
1		ISSUE FOR RELEASE		

F
E
D
C
B
A

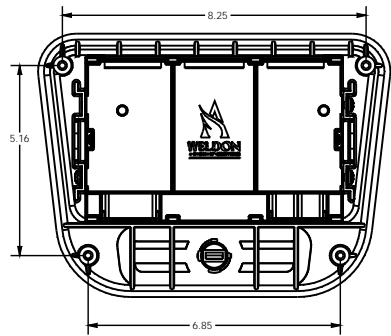
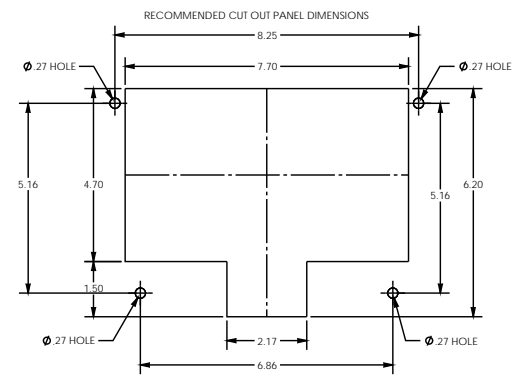


MATES WITH DEUTSCH DT06-4S PLUG
PIN 1 - COMM A
PIN 2 - COMM B
PIN 3 - GROUND
PIN 4 - 9-32VDC (IN)

MATES WITH DEUTSCH DT06-4S PLUG
PIN 1 - S-MUX A
PIN 2 - S-MUX B
PIN 3 - GROUND
PIN 4 - 12VDC (OUT)

USB RECEPTACLE FOR FRONT BEZEL CABLE

MATES WITH DEUTSCH DT06-12S
PIN 1 - RS-232 RX
PIN 2 - CAN HI
PIN 3 - GROUND
PIN 4 - GROUND
PIN 5 - GROUND
PIN 6 - GROUND
PIN 7 - VIDEO 1 INPUT
PIN 8 - VIDEO 2 INPUT
PIN 9 - VIDEO 3 INPUT
PIN 10 - VIDEO 4 INPUT
PIN 11 - CAN LO
PIN 12 - RS-232 TX



UNLESS OTHERWISE SPECIFIED DIMENSIONS ARE IN INCHES UNLESS OTHERWISE SPECIFIED	UNLESS OTHERWISE SPECIFIED DIMENSIONS ARE IN INCHES UNLESS OTHERWISE SPECIFIED	WELDON TECHNOLOGIES, INC.	
SCALE: AS SHOWN	DATE: 11/11/13	VISTA BEZEL WITH TOUCH CUSTOMER DRAWING	
PROJECT NO. C6241-0130-00	REV. A		

8 7 6 5 4 3 2 1