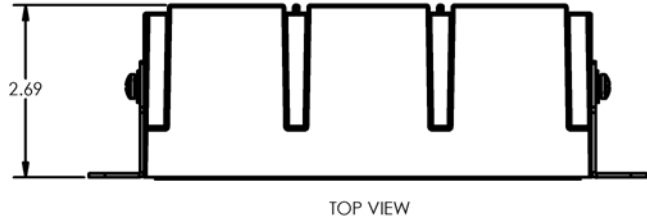
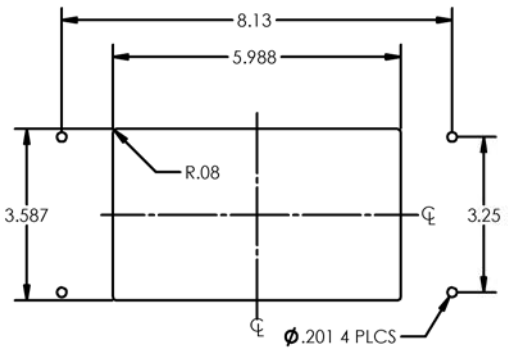


THIS DRAWING AND ALL INFORMATION CONTAINED HEREIN IS THE PROPERTY OF WELDON TECHNOLOGIES, INC. AND MAY NOT BE COPIED, REPRODUCED, OR DISCLOSED TO UNAUTHORIZED PERSONS WITHOUT THE EXPRESS WRITTEN CONSENT OF WELDON TECHNOLOGIES, INC. AS IT IS BEING PROVIDED SOLELY FOR THE CONVENIENCE OF THE USER AND SHALL BE RETURNED TO WELDON TECHNOLOGIES, INC. UPON REQUEST.

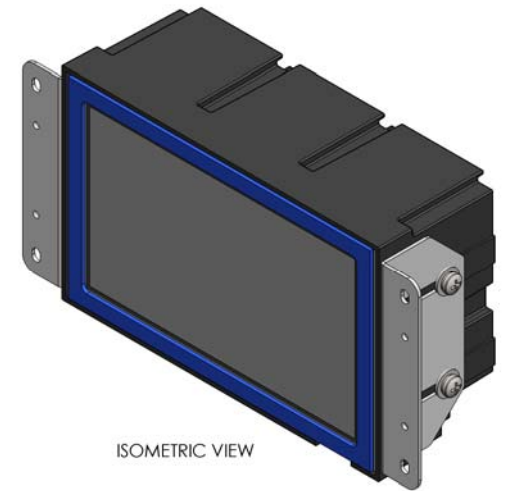
REV	DATE	DESCRIPTION	BY	DATE	APPROVED
A	01/00	RELEASE	GD	5/9/12	EB



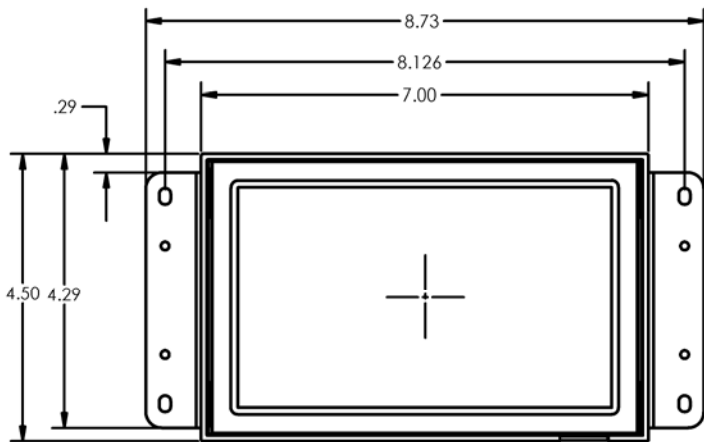
TOP VIEW



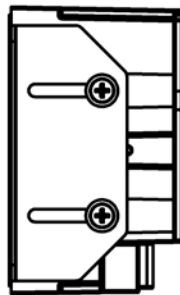
SUGGESTED CUTOUT & DIMENSIONS FOR REAR PANEL MOUNTING



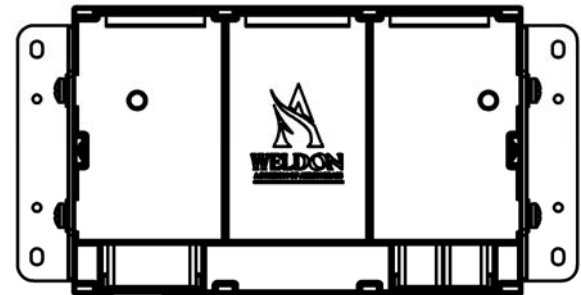
ISOMETRIC VIEW



FRONT VIEW



SIDE VIEW



REAR VIEW



BOTTOM VIEW

MATES WITH DEUTSCH DT06-4S PLUG
PIN 1 - COMM A
PIN 2 - COMM B
PIN 3 - GROUND
PIN 4 - 9-32VDC (IN)

MATES WITH DEUTSCH DT06-4S PLUG
PIN 1 - S-MUX A
PIN 2 - S-MUX B
PIN 3 - GROUND
PIN 4 - 12VDC (OUT)

USB RECEPTACLE

MATES WITH DEUTSCH DT06-12S
PIN 1 - RS-232 RX
PIN 2 - CAN HI
PIN 3 - GROUND
PIN 4 - GROUND
PIN 5 - GROUND
PIN 6 - GROUND
PIN 7 - VIDEO 1 INPUT
PIN 8 - VIDEO 2 INPUT
PIN 9 - VIDEO 3 INPUT
PIN 10 - VIDEO 4 INPUT
PIN 11 - CAN LO
PIN 12 - RS-232 TX

NOTES AND SPECIFICATIONS:

- 1) SPECIFICATIONS: OPERATING TEMPERATURE RANGE IS -40 °C TO +80 °C
OPERATING VOLTAGE IS 9-32VDC
SUPPLY CURRENT @ 12V IS 1.07A
SUPPLY CURRENT @ 24V IS 0.485mA

UNLESS OTHERWISE SPECIFIED TOLERANCES ARE: XXX - .0005 XXX - .0010 XXX - .0015 ANGLES - .0010	C-AD GENERATED DRAWING. DO NOT MANUALLY UPDATE.		WELDON TECHNOLOGIES, INC.	
	APPROVALS	DATE	VISTA IV (TOUCH-ONLY) V-MUX DISPLAY NODE (REAR PANEL MOUNT)	
	DRAWN GD	4/30/12	PROJECT NO.	C6241-0115-00
	CHECKED EB	4/30/12	SCALE	1:1
MATERIAL	WFO BVO	ISS	START NO.	REV. A
FINISH	QUAL BND	ISS	END NO.	
DO NOT SCALE DRAWING	PROJECT NO.	00119-10	SHEET	1 OF 1