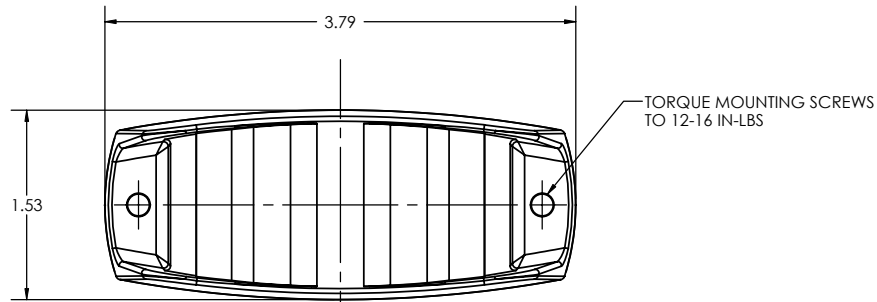


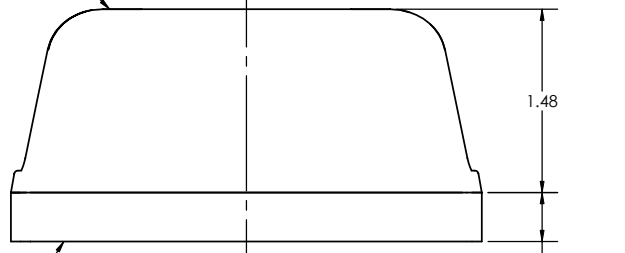
THIS DRAWING AND ALL INFORMATION CONTAINED HEREIN IS THE PROPERTY OF WELDON TECHNOLOGIES, INC. AND MAY NOT BE COPIED, REPRODUCED, OR DIVULGED TO UNAUTHORIZED PERSONS WITHOUT THE EXPRESS WRITTEN CONSENT OF WELDON TECHNOLOGIES, INC. AS IT IS BEING PROVIDED SOLELY FOR THE CONVENIENCE OF THE USER AND SHALL BE RETURNED TO WELDON TECHNOLOGIES, INC. UPON REQUEST.

REVISIONS				
REV.	ECN	DESCRIPTION	DATE	BY / APVD
A	R0776	RELEASE FOR REFERENCE	7/30/07	TB / ST
B	0831	REVISED TO SHOW MODIFIED LAMP	5/14/08	LH / ST

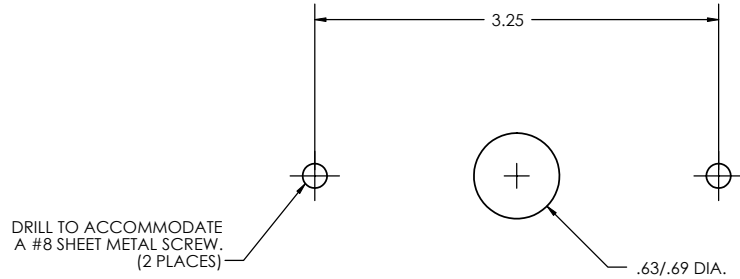


- NOTES:
- THIS LAMP ASSEMBLY MUST COMPLY WITH FMVSS 108 AND ANY SAE STANDARD REFERENCED THEREIN WITH RESPECT TO THE FOLLOWING:
    - COMBINATION CLEARANCE/SIDEMARKER LAMPS PER SAE J592e JUL72
    - PLASTIC MATERIALS PER SAE J576 JUL91
    - COLOR PER SAE J578c FEB77
    - TEST METHODS PER SAE J575e AUG70
  - CARTON QUANTITY TO BE 50 PIECES.
  - LAMP TO ACCEPT DELPHI CONNECTOR #12047662 - METRI-PACK 150 SERIES.
    - CAVITY "A" = POWER (+)
    - CAVITY "B" = GROUND (-)
  - OPERATING VOLTAGE RANGE: 10VDC - 16VDC
  - LAMP CURRENT: 45-65mA @ 14.0VDC

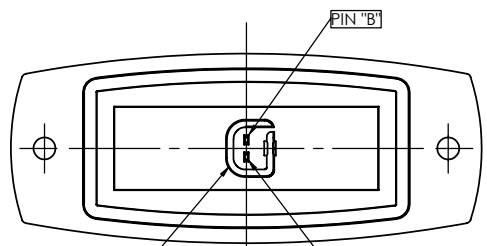
LED MARKER LAMP ASSEMBLY  
 WELDON PART NUMBER:  
 RED: 5180-0100-10  
 AMBER: 5180-0100-20  
 (INCLUDES MOUNTING GASKET)



MOUNTING GASKET  
 WELDON #0D10-1630-00



MOUNTING DETAIL



CONNECTOR GEOMETRY TO ACCEPT DELPHI #12047662  
 CAVITY "A" = POWER (+)  
 CAVITY "B" = GROUND (-)

UNLESS OTHERWISE SPECIFIED DIMENSIONS ARE IN INCHES TOLERANCES ARE:		CAD GENERATED DRAWING. DO NOT MANUALLY UPDATE		<b>WELDON TECHNOLOGIES, INC.</b>	
X.XXX - ±0.005 X.XX - ±0.020 X.X - ±0.050 ANGLES - ±0.5°		APPROVALS	DATE		
MATERIAL		DRAWN	7/16/07	SIZE	PART NO.
FINISH		CHECKED	ST 7/18/07	B	C5180-0100-00
DO NOT SCALE DRAWING	PROJ. NO.	QUAL ENG		SCALE: 1:1	WELDON COMPUTER GRAPHICS   SHEET 1 OF 1
		MFG ENG		REV. B	