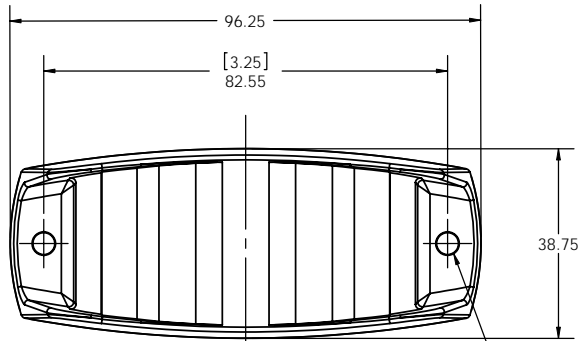
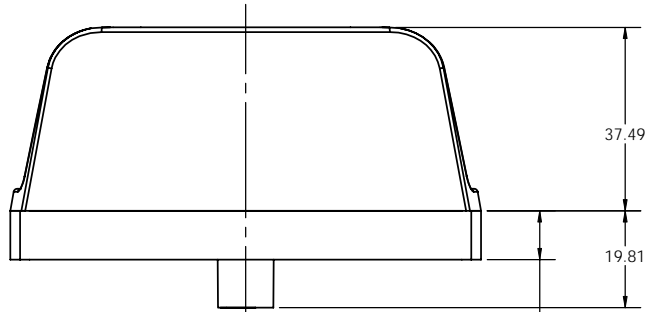


THIS DRAWING AND ALL INFORMATION CONTAINED HEREIN IS THE PROPERTY OF WELDON TECHNOLOGIES, INC. AND MAY NOT BE COPIED, REPRODUCED, OR DIVULGED TO UNAUTHORIZED PERSONS WITHOUT THE EXPRESS WRITTEN CONSENT OF WELDON TECHNOLOGIES, INC. AS IT IS BEING PROVIDED SOLELY FOR THE CONVENIENCE OF THE USER AND SHALL BE RETURNED TO WELDON TECHNOLOGIES, INC. UPON REQUEST.

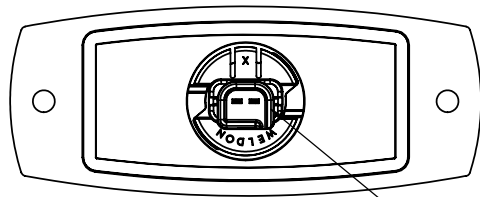
REVISIONS					
REV	ECN	DESCRIPTION	DATE	BY	APVD
A	R0655	RELEASE FOR REFERENCE	1/4/06	TB	ST
B	R0776	OM10-2218-10/20 WAS OM10-1978-10/20; OK90-1601-00 WAS OK90-1804-00	7/30/07	TB	ST
C	0831	REVISED TO SHOW MODIFIED LAMP	5/14/08	LH	ST



TORQUE MOUNTING SCREWS TO 12-16 IN-LBS.

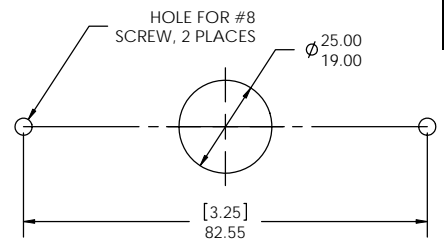
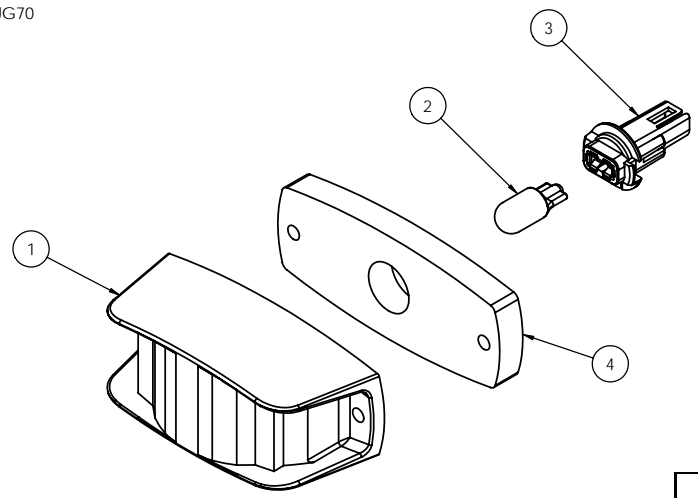


10.00 GASKET



CONNECTOR TO ACCEPT DELPHI #12047662

- NOTES:  
 1. THIS LAMP ASSEMBLY COMPLIES WITH FMVSS 108 AND ANY SAE STANDARD REFERENCED THEREIN WITH RESPECT TO THE FOLLOWING:  
 A.) COMBINATION CLEARANCE/SIDEMARKER LAMPS PER SAE J592e JUL72  
 B.) PLASTIC MATERIALS MATERIALS PER SAE J576 JUL91  
 C.) COLOR PER SAE J578c FEB77  
 D.) TEST METHODS PER SAE J575e AUG70  
 2. CARTON QUANTITY TO BE 50 PIECES.



RECOMMENDED MOUNTING GEOMETRY

ITEM	PART NUMBER	DESCRIPTION	QTY.	QTY.
1	OM10-2218-10	LENS/BASE ASSEMBLY, RED	1	--
	OM10-2218-20	LENS/BASE ASSEMBLY, AMBER	--	1
2	--	BULB, WEDGE BASE - #168	1	1
3	OK90-1601-00	BULB SOCKET ASSEMBLY	1	1
4	0D10-1630-00	MOUNTING GASKET, FOAM	1	1

UNLESS OTHERWISE SPECIFIED DIMENSIONS ARE IN mm  
 TOLERANCES ARE:  
 XX - ±0.15  
 XX - ±0.5  
 ANGLES - ±0.5°

CAD GENERATED DRAWING. DO NOT MANUALLY UPDATE

APPROVALS	DATE
DRAWN BARNETT	11/9/05
CHECKED ST	11/15/05
QUAL ENG	
MFG ENG	

**WELDON TECHNOLOGIES, INC.**

CLEARANCE/MARKER ASSEMBLY

SIZE B PART NO. C5150-0100-00 REV. C

SCALE: 1:1 WELDON COMPUTER GRAPHICS SHEET 1 OF 1

5150-0100-10  
 5150-0100-20