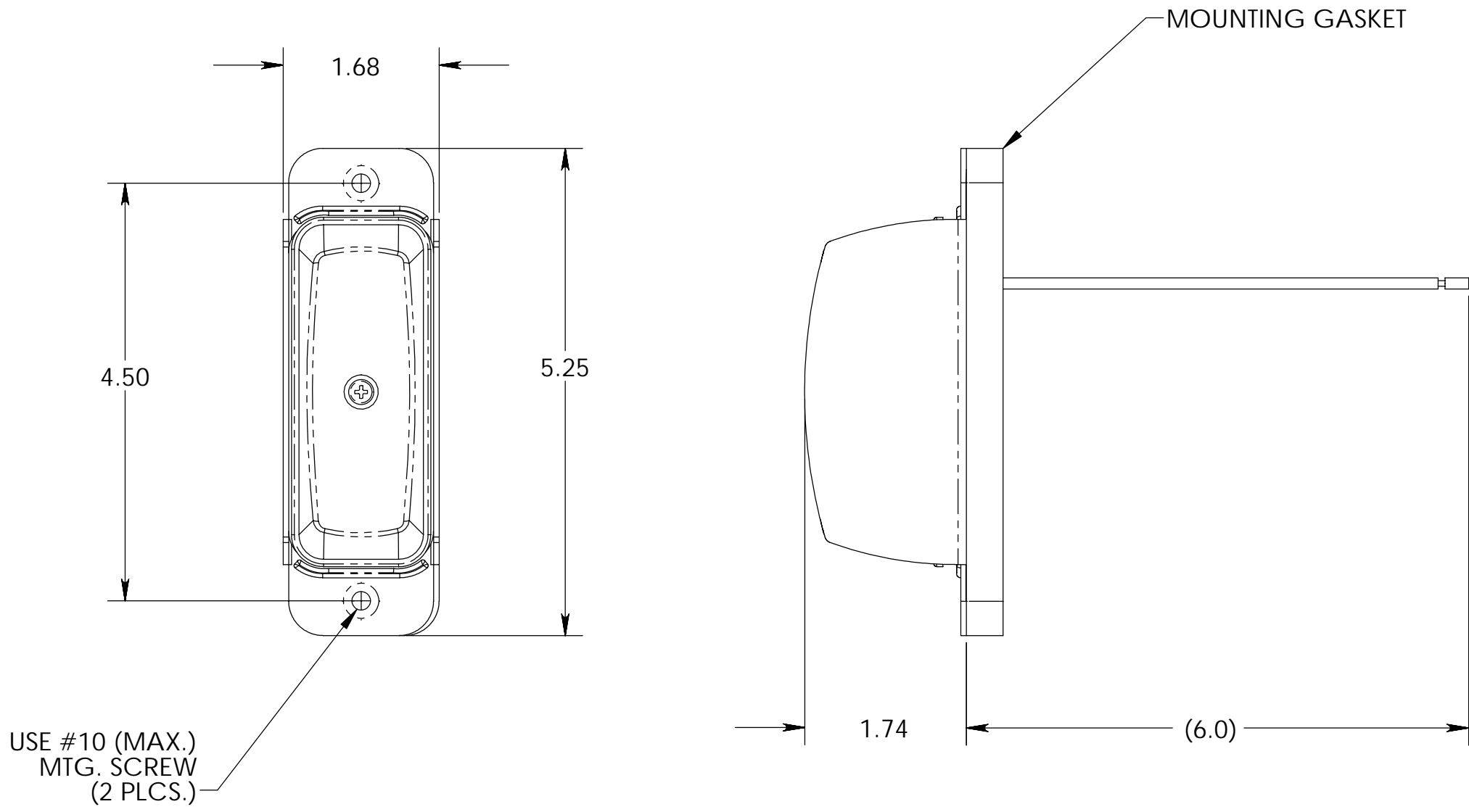


THIS DRAWING AND ALL INFORMATION CONTAINED HEREIN IS THE PROPERTY OF WELDON TECHNOLOGIES, INC. AND MAY NOT BE COPIED, REPRODUCED, OR DEVLUGED TO UNAUTHORIZED PERSONS WITHOUT THE EXPRESS WRITTEN CONSENT OF WELDON TECHNOLOGIES, INC. AS IT IS BEING PROVIDED SOLELY FOR THE CONVENIENCE OF THE USER AND SHALL BE RETURNED TO WELDON TECHNOLOGIES, INC UPON REQUEST.

REVISIONS					
REV.	ECN	DESCRIPTION	DATE	BY	APVD
A	R0586	DOCUMENTATION RELEASE	9/15/05	TS	ST



Wire Table				
Gauge	Function	Type	5120-1300-10/20	5120-1306-10/20
18	Signal (+)	GXL, Stranded	Black	Black
18	Ground (-)	GXL, Stranded	Gnd. Thru Body	White

WTI Part No.	Description	5120-1300-10	5120-1300-20	5120-1306-10	5120-1306-20
5002-0000-10	Lens, Red	1	--	1	--
5002-0000-20	Lens, Amber	--	1	--	1
9018-0047-00	Bulb, #193 2cp	1	1	1	1
9028-0008-00	Lens screw	1	1	1	1

UNLESS OTHERWISE SPECIFIED DIMENSIONS ARE IN INCHES TOLERANCES ARE: X.XXX - ±0.005 X.XX - ±0.020 X.X - ±0.050 ANGLES - ±0.5*	CAD GENERATED DRAWING, DO NOT MANUALLY UPDATE		<b>WELDON TECHNOLOGIES, INC.</b>		
	APPROVALS	DATE			
	DRAWN	TS 8/8/05	<b>CUSTOMER DRAWING MARKER LIGHT W/SHIELD 2 BULB</b>		
	CHECKED	ST 8/24/05			
QUAL ENG					
MATERIAL			SIZE B	PART NO. C5120-1300-00	REV. A
FINISH			SCALE: 1:1	WELDON COMPUTER GRAPHICS	SHEET 1 OF 1
DO NOT SCALE DRAWING	PROJ. NO. 00135				