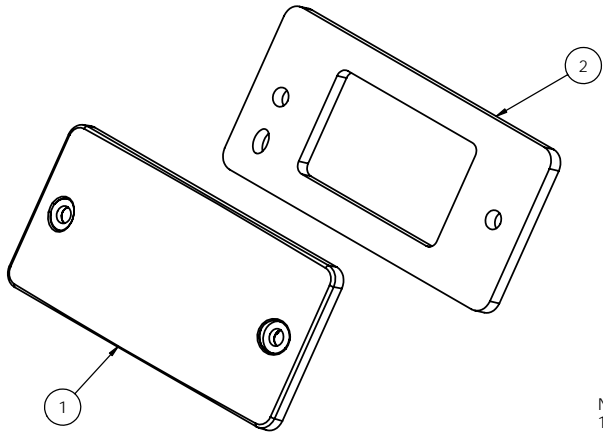
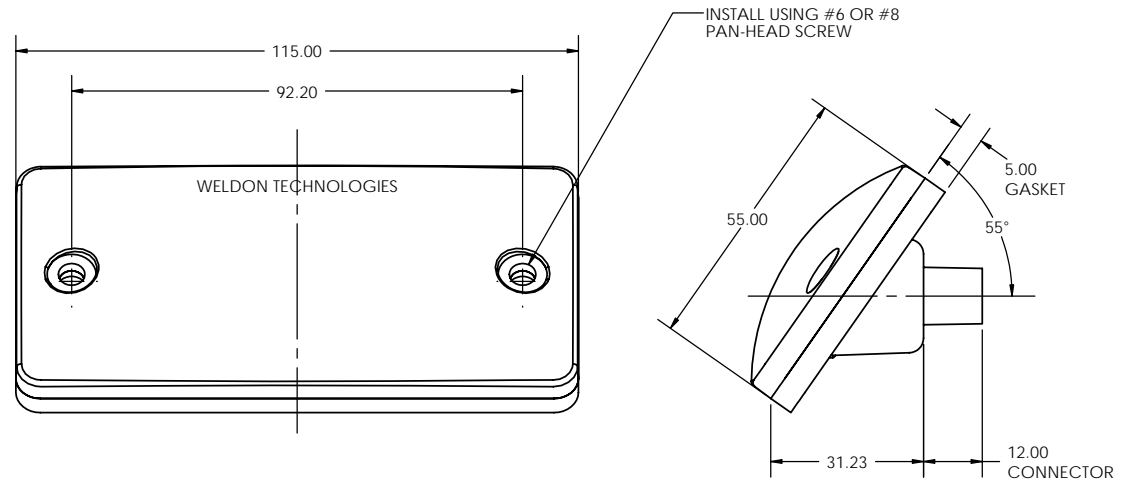


THIS DRAWING AND ALL INFORMATION CONTAINED HEREIN IS THE PROPERTY OF WELDON TECHNOLOGIES, INC. AND MAY NOT BE COPIED, REPRODUCED, OR DEVULGED TO UNAUTHORIZED PERSONS WITHOUT THE EXPRESS WRITTEN CONSENT OF WELDON TECHNOLOGIES, INC. AS IT IS BEING PROVIDED SOLELY FOR THE CONVENIENCE OF THE USER AND SHALL BE RETURNED TO WELDON TECHNOLOGIES, INC. UPON REQUEST.

REVISIONS					
REV.	ECN	DESCRIPTION	DATE	BY	APVD
A	R0764	RELEASE FOR PRODUCTION	--	TB	ST

ITEM	PART NUMBER	DESCRIPTION	5045-7110-10	5045-7110-20
			QTY.	QTY.
1	NOT SERVICE ITEM	L.E.D. ASSEMBLY, RED	1	--
	NOT SERVICE ITEM	L.E.D. ASSEMBLY, AMBER	--	1
2	0D10-2223-00	MOUNTING GASKET, FOAM	1	1



- NOTES:
- LAMP CONNECTOR ACCEPTS DELPHI #12047662.
 CAVITY "A" = POSITIVE (+)
 CAVITY "B" = NEGATIVE (-)
 OPERATING VOLTAGE RANGE = 10.0-16.0 VDC
 LAMP CURRENT TO BE 30-50mA @ 14.0 VDC.
 - CARTON QUANTITY IS 50 PCS.
 - THIS LAMP ASSEMBLY COMPLIES WITH FMVSS 108 AND ANY SAE STANDARD REFERENCED THEREIN WITH RESPECT TO THE FOLLOWING:
 A.) CLEARANCE/SIDEMARKER LAMPS PER SAE J592e JUL72
 NOTE: LAMP TO BE MOUNTED AS SHOWN (35° TILT-BACK)
 B.) PLASTIC MATERIALS PER SAE J576 JUL91
 C.) COLOR PER SAE J578c FEB77
 D.) TEST METHODS PER SAE J575e AUG70

UNLESS OTHERWISE SPECIFIED, DIMENSIONS ARE IN mm TOLERANCES ARE: X.XX - ±0.15 X.X - ±0.5 ANGLES - ±0.5°	CAD GENERATED DRAWING. DO NOT MANUALLY UPDATE		WELDON TECHNOLOGIES, INC.	
	APPROVALS	DATE		
	DRAWN BARNETT	6/12/07	L.E.D. CLEARANCE/MARKER ASSEMBLY 35° TILT-BACK CUSTOMER DRAWING	
	CHECKED LH	6/13/07		
MATERIAL	QUAL ENG	SIZE B	PART NO. C5045-7110-00	REV. A
FINISH	MFG ENG	SCALE: 1:1	WELDON COMPUTER GRAPHICS SHEET 1 OF 1	
DO NOT SCALE DRAWING	PROJ. NO. 00155			