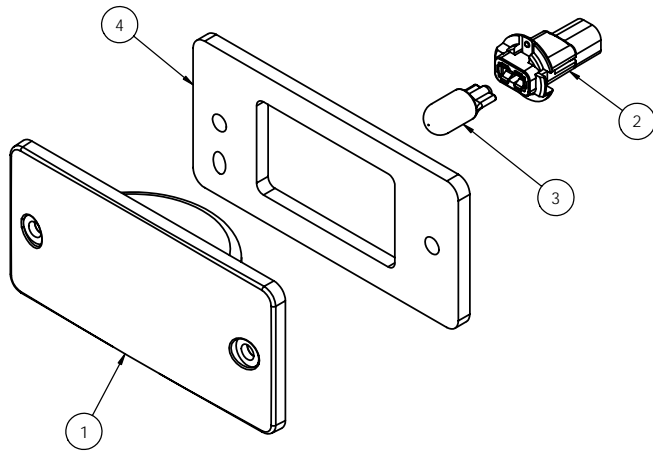


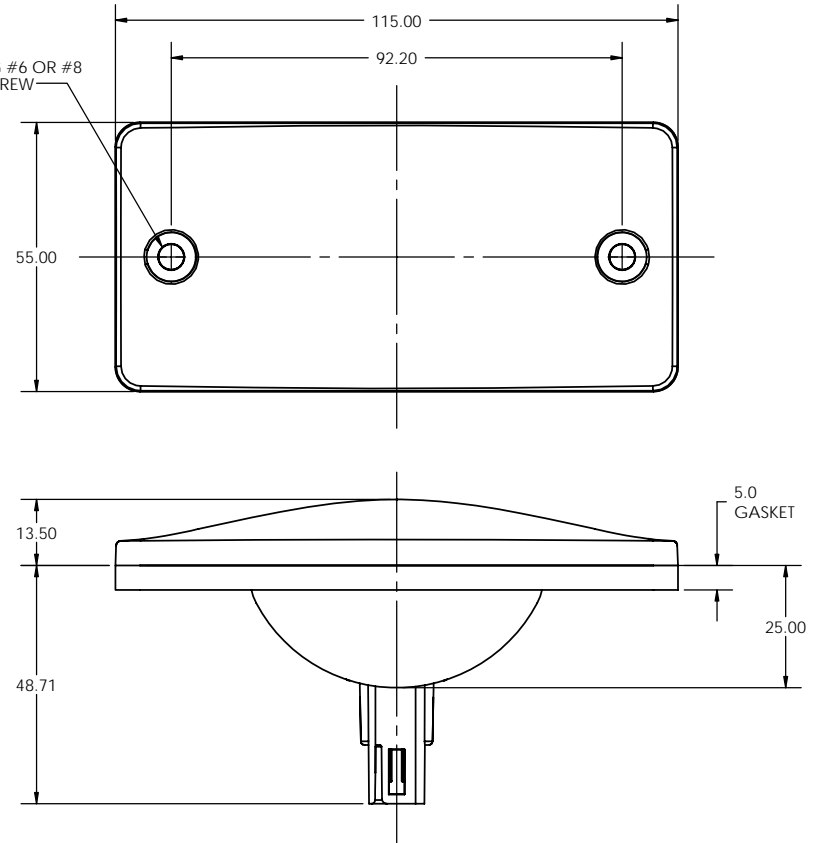
THIS DRAWING AND ALL INFORMATION CONTAINED HEREIN IS THE PROPERTY OF WELDON TECHNOLOGIES, INC. AND MAY NOT BE COPIED, REPRODUCED, OR DEVIATED TO UNAUTHORIZED PERSONS WITHOUT THE EXPRESS WRITTEN CONSENT OF WELDON TECHNOLOGIES, INC. AS IT IS BEING PROVIDED SOLELY FOR THE CONVENIENCE OF THE USER AND SHALL BE RETURNED TO WELDON TECHNOLOGIES, INC. UPON REQUEST.

REVISIONS				
REV.	ECN	DESCRIPTION	DATE	BY / APVD
A	R0764	RELEASE FOR PRODUCTION	--	TB / ST

ITEM	PART NUMBER	DESCRIPTION	5045-0100-10 QTY.	5045-0100-20 QTY.
1	NOT SERVICE ITEM	LENS/BASE ASSEMBLY, RED	1	--
1	NOT SERVICE ITEM	LENS/BASE ASSEMBLY, AMBER	--	1
2	0K90-1601-00	SOCKET ASSEMBLY, DELPHI	1	1
3	9018-0032-00	BULB, #168	1	1
4	0D10-2223-00	MOUNTING GASKET, FOAM	1	1



INSTALL USING #6 OR #8 PAN-HEAD SCREW



NOTES:

1. LAMP SOCKET ACCEPTS DELPHI CONNECTOR #12047662.
2. LAMP CURRENT TO BE 0.34-0.37A @ 14.0 VDC.
3. CARTON QUANTITY IS 50 PCS.
4. THIS LAMP ASSEMBLY COMPLIES WITH FMVSS 108 AND ANY SAE STANDARD REFERENCED THEREIN WITH RESPECT TO THE FOLLOWING:
 - A.) CLEARANCE/SIDEMARKER LAMPS PER SAE J592e JUL72
NOTE, THE LAMP SHALL MEET THE PHOTOMETRIC REQUIREMENTS WITH THE LAMP MOUNTED WITH 0° TILT-BACK AND 35° TILT-BACK.
 - B.) PLASTIC MATERIALS PER SAE J576 JUL91
 - C.) COLOR PER SAE J578c FEB77
 - D.) TEST METHODS PER SAE J575e AUG70

UNLESS OTHERWISE SPECIFIED DIMENSIONS ARE IN mm TOLERANCES ARE: XX - ±0.15 X.X - ±0.5 ANGLES - ±0.5°	CAD GENERATED DRAWING. DO NOT MANUALLY UPDATE		WELDON TECHNOLOGIES, INC.	
	APPROVALS	DATE		
	DRAWN BARNETT	6/12/07	CLEARANCE/MARKER ASSEMBLY CUSTOMER DRAWING	
	CHECKED ST	6/13/07		
MATERIAL	QUAL ENG	SIZE B	PART NO. C5045-0100-00	REV. A
FINISH	MFG ENG	SCALE: 1:1		WELDON COMPUTER GRAPHICS SHEET 1 OF 1
DO NOT SCALE DRAWING	PROJ. NO.	00155		