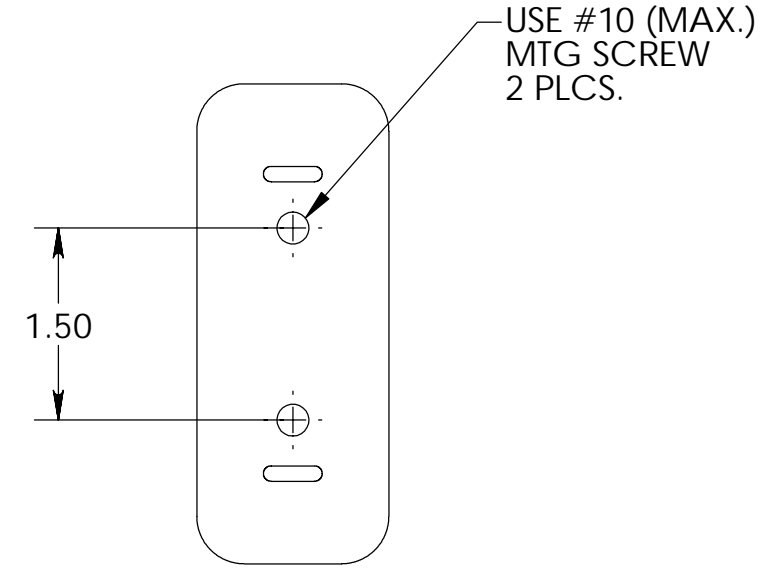
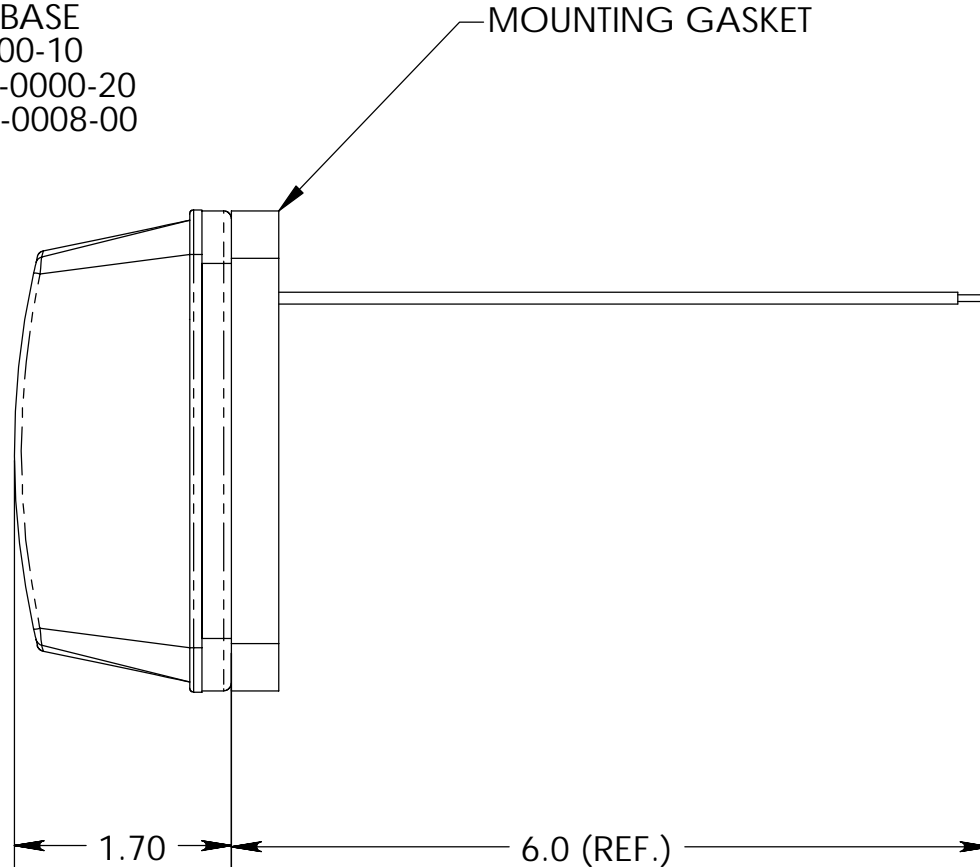
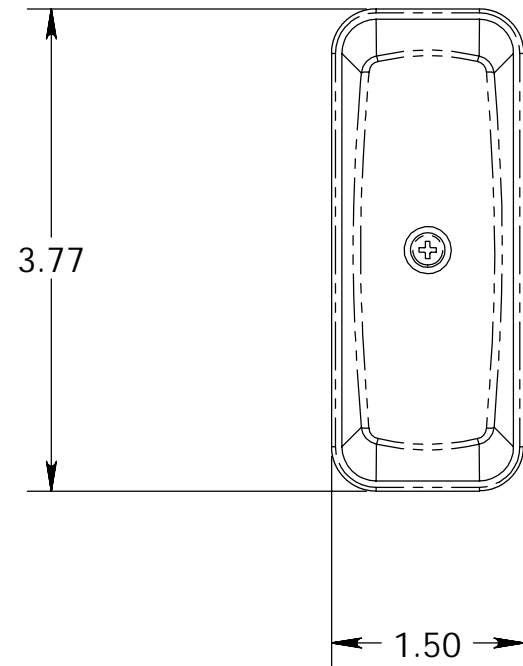


THIS DRAWING AND ALL INFORMATION CONTAINED HEREIN IS THE PROPERTY OF WELDON TECHNOLOGIES, INC. AND MAY NOT BE COPIED, REPRODUCED, OR DIVULGED TO UNAUTHORIZED PERSONS WITHOUT THE EXPRESS WRITTEN CONSENT OF WELDON TECHNOLOGIES, INC. AS IT IS BEING PROVIDED SOLELY FOR THE CONVENIENCE OF THE USER AND SHALL BE RETURNED TO WELDON TECHNOLOGIES, INC. UPON REQUEST.

REVISIONS					
REV.	ECN	DESCRIPTION	DATE	BY	APVD
A	0498	DOCUMENTATION RELEASE	4/22/04	TS	ST
B	R0645	ADDED PROVISION FOR GROUNDING SINGLE WIRE LAMPS	10/17/05	TS	ST

NOTE:
 BULB - #168 3CP WEDGEBASE
 RED LENS - WTI #5002-0000-10
 AMBER LENS - WTI #5002-0000-20
 LENS SCREW - WTI #9028-0008-00



Wire Table					
Gauge	Color	Type	Length (inches)	Function	Terminal
18	Black	GXL, Stranded	6	Signal (+)	A
18	White	GXL, Stranded	6	Ground (-)	B

NOTE:
 SINGLE WIRE LAMP ASSEMBLIES USE BODY MOUNTING FOR GROUND.

UNLESS OTHERWISE SPECIFIED DIMENSIONS ARE IN INCHES TOLERANCES ARE: X.XXX - ±0.005 X.XX - ±0.020 X.X - ±0.050 ANGLES - ±0.5°	CAD GENERATED DRAWING, DO NOT MANUALLY UPDATE		WELDON TECHNOLOGIES, INC.	
	APPROVALS	DATE		
	DRAWN	TS 2/25/04	MARKER LAMP RED/AMBER	
	CHECKED	ST 2/25/04		
MATERIAL	QUAL ENG	SIZE B		
FINISH	MFG ENG	PART NO. C5000		
DO NOT SCALE DRAWING	PROJ. NO.	SCALE: 1:1	WELDON COMPUTER GRAPHICS SHEET 1 OF 1	REV B