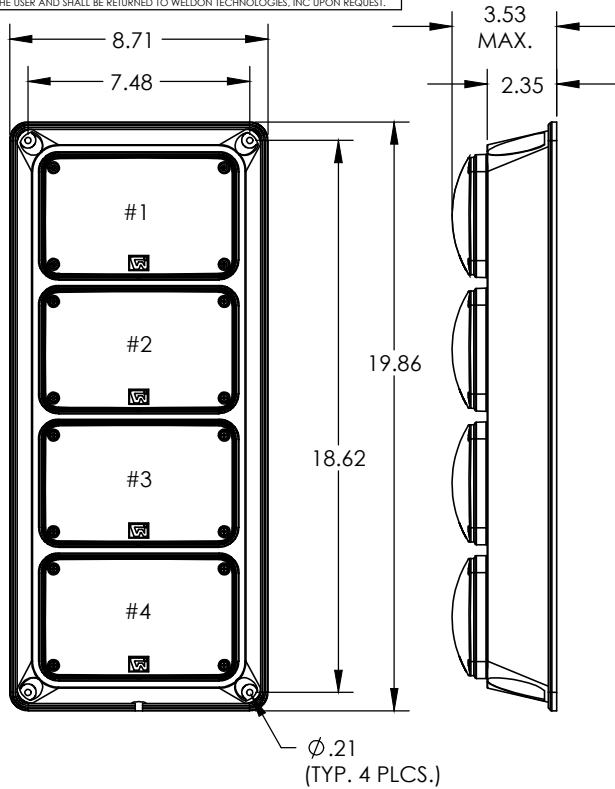


THIS DRAWING AND ALL INFORMATION CONTAINED HEREIN IS THE PROPERTY OF WELDON TECHNOLOGIES, INC. AND MAY NOT BE COPIED, REPRODUCED, OR DEVULGED TO UNAUTHORIZED PERSONS WITHOUT THE EXPRESS WRITTEN CONSENT OF WELDON TECHNOLOGIES, INC. AS IT IS BEING PROVIDED SOLELY FOR THE CONVENIENCE OF THE USER AND SHALL BE RETURNED TO WELDON TECHNOLOGIES, INC UPON REQUEST.

REVISIONS					
REV.	ECN	DESCRIPTION	DATE	BY	APVD
B	R0332	DOCUMENTATION RELEASE	5/16/02	TS	ST
C	0362	INCORRECT PART NOS FOR RIGHT AND LEFT ARROW LAMPS. ADDED HOLE PLUG NO.	5/24/02	TS	ST
D	R0387	ADDED 4694-0511-01 AND 4694-0511-02 ASSMS.	10/31/02	TS	ST
E	R0512	ADDED 4694-4511-01/02 & 4694-4571-28/29 ASSEMBLIES. PIN DESIGNATIONS FOR 2 POSITION DEUTSCH WERE A (RED) & G (WHT.).	6/11/04	TS	ST



FUNCTION	WIRE COLOR	DEUTSCH POSITION	PACKARD POSITION	BULB TYPE	INCANDESCENT LAMP SUB-ASSY	LED LAMP SUB-ASSY	HALOGEN LAMP SUB-ASSY
STOP	RED	1	A	1157	0C90-0351-10	0C90-1295-10	--
TAIL	BLACK	2	B				
LEFT TURN	GREEN	3	C	1156	0C90-0352-21	0C90-1295-21	--
RIGHT TURN	GREEN	3	C	1156	0C90-0352-22	0C90-1295-22	--
BACK-UP	BLUE	4	D	1156	0C90-0350-33	0C90-1295-30	--
GROUND	WHITE	5	E	--	--	--	--
WARNING	RED	1	--	795X	--	0C90-1294-10	0C90-0350-10
GROUND	WHITE	2	--				

NOTE:
CUSTOMER WIRING HARNESS SHOULD BE TERMINATED AS FOLLOWS:

	DEUTSCH 6-POS	DEUTSCH 2-POS	PACKARD 5-POS
CONNECTOR BODY	DT06-6S	DT06-2S	12186400
TERMINAL	0462-201-16141 (16, 18, 20 AWG)	0462-201-16141 (16, 18, 20 AWG)	12048159 (1.0-0.8 CABLE)
LOCKING WEDGE	W6S	W2S	--
TPA (STRAIN RELIEF)	--	--	12084673
SEAL	--	--	12015323 (2.85-2.03 INSUL)
HOLE PLUG	0413-204-2005	--	--

TERMINALS AND SEALS ACCOMMODATING OTHER WIRE DIAMETERS ARE AVAILABLE FROM CONNECTOR SUPPLIER

MODEL NO.	LAMP POSITION			
	#1	#2	#3	#4
4694-0000-01	OPEN	INC. STOP/TAIL	INC. LEFT ARROW	INC. BACK-UP
4694-0000-02	OPEN	INC. STOP/TAIL	INC. RIGHT ARROW	INC. BACK-UP
4694-0171-18	LED RED WARNING	LED STOP/TAIL	LED LEFT ARROW	LED BACK-UP
4694-0171-19	LED RED WARNING	LED STOP/TAIL	LED RIGHT ARROW	LED BACK-UP
4694-0511-01	HAL. RED WARNING	INC. STOP/TAIL	INC. LEFT ARROW	INC. BACK-UP
4694-0511-02	HAL. RED WARNING	INC. STOP/TAIL	INC. RIGHT ARROW	INC. BACK-UP
4694-4511-01	HAL. RED WARNING	INC. BACK-UP	INC. LEFT ARROW	INC. STOP/TAIL
4694-4511-02	HAL. RED WARNING	INC. BACK-UP	INC. RIGHT ARROW	INC. STOP/TAIL
4694-4571-28	LED RED WARNING	INC. BACK-UP	LED LEFT ARROW	LED STOP/TAIL
4694-4571-29	LED RED WARNING	INC. BACK-UP	LED RIGHT ARROW	LED STOP/TAIL

UNLESS OTHERWISE SPECIFIED DIMENSIONS ARE IN INCHES TOLERANCES ARE: X.XXX - +0.005 X.XX - +0.020 X.X - +0.050 ANGLES - +0.5°	CAD GENERATED DRAWING. DO NOT MANUALLY UPDATE		WELDON TECHNOLOGIES, INC.	
	APPROVALS	DATE	MECHANICAL OVERVIEW 4694 SERIES QUAD-CLUSTER	
	DRAWN TS	5/8/02		
	CHECKED ST	5/15/02		
MATERIAL	QUAL ENG			
FRESH	MFG ENG			
DO NOT SCALE DRAWING	PROJ. NO.	SIZE B	PART NO. C4694	REV. E
		SCALE: 1:1	WELDON COMPUTER GRAPHICS	SHEET 1 OF 1