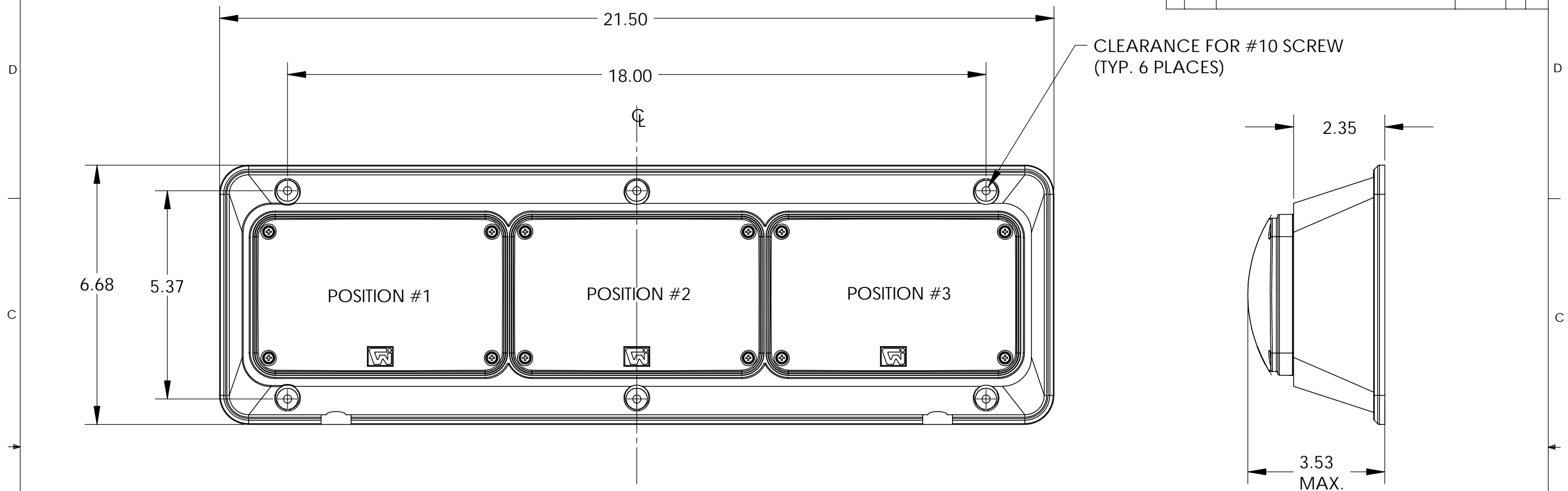


THIS DRAWING AND ALL INFORMATION CONTAINED HEREIN IS THE PROPERTY OF WELDON TECHNOLOGIES, INC. AND MAY NOT BE COPIED, REPRODUCED, OR DEVLGED TO UNAUTHORIZED PERSONS WITHOUT THE EXPRESS WRITTEN CONSENT OF WELDON TECHNOLOGIES, INC. AS IT IS BEING PROVIDED SOLELY FOR THE CONVENIENCE OF THE USER AND SHALL BE RETURNED TO WELDON TECHNOLOGIES, INC UPON REQUEST.

REVISIONS					
REV.	ECN	DESCRIPTION	DATE	BY	APVD
A	R0306	DOCUMENTATION RELEASE	6/13/02	TS	
B	R0637	ADDED NON-TERMINATED MODELS	1/27/06	TS	ST



MODEL NO.	LAMP POSITION		
	#1	#2	#3
4681-3200-01	LEFT ARROW TURN	BACK UP	STOP/TAIL
4682-3200-02	STOP/TAIL	BACK UP	RIGHT ARROW TURN
4681-3200-18	LED SEQUENTIAL L. TURN	LED BACK UP	LED STOP/TAIL
4682-3200-19	LED STOP/TAIL	LED BACK UP	LED SEQUENTIAL R. TURN
4681-3200-28	LED SEQUENTIAL L. TURN	BACK UP	LED STOP/TAIL
4682-3200-29	LED STOP/TAIL	BACK UP	LED SEQUENTIAL R. TURN
4681-8080-20	LED STOP/TAIL	LED STOP/TAIL	BACK UP
4682-8080-20	BACK UP	LED STOP/TAIL	LED STOP/TAIL

FUNCTION	WIRE COLOR	DEUTSCH POS. (IF REQ'D.)	INCANDESCENT BULB TYPE	INCANDESCENT LAMP SUB-ASSM.	LED LAMP SUB-ASSM.
STOP	RED	1	1157	0C90-0351-10	0C90-1295-10
TAIL	BLACK	2			
LEFT TURN	GREEN	3	1156	0C90-0352-21	0C90-1295-21
RIGHT TURN	GREEN	3	1156	0C90-0352-22	0C90-1295-22
BACK UP	BLUE	4	1156	0C90-0350-33	0C90-1295-30
GROUND	WHITE	5	--	--	

NOTE!  
 WHERE APPLICABLE, CUSTOMER WIRING HARNESS SHOULD BE TERMINATED AS FOLLOWS:  
 -CONNECTOR BODY DEUTSCH #DT06-6S  
 -LOCKING WEDGE DEUTSCH #W6S  
 -WIRE TERMINAL DEUTSCH #0462-201-16141 (16, 18 & 20 AWG)

UNLESS OTHERWISE SPECIFIED DIMENSIONS ARE IN INCHES TOLERANCES ARE: X.XXX - ±0.005 X.XX - ±0.020 X.X - ±0.050 ANGLES - ±0.5°	CAD GENERATED DRAWING, DO NOT MANUALLY UPDATE		<b>WELDON TECHNOLOGIES, INC.</b>		
	APPROVALS	DATE			
	DRAWN	TS	3/1/02	<b>MECHANICAL OVERVIEW          4681/4682 SERIES          HORIZONTAL TRI-CLUSTER</b>	
	CHECKED	ST	4/22/02		
MATERIAL	QUAL ENG				
FINISH	MFG ENG		SIZE B	PART NO. C4681/4682	REV B
DO NOT SCALE DRAWING	PROJ. NO.		SCALE: 1:1	WELDON COMPUTER GRAPHICS	SHEET 1 OF 1