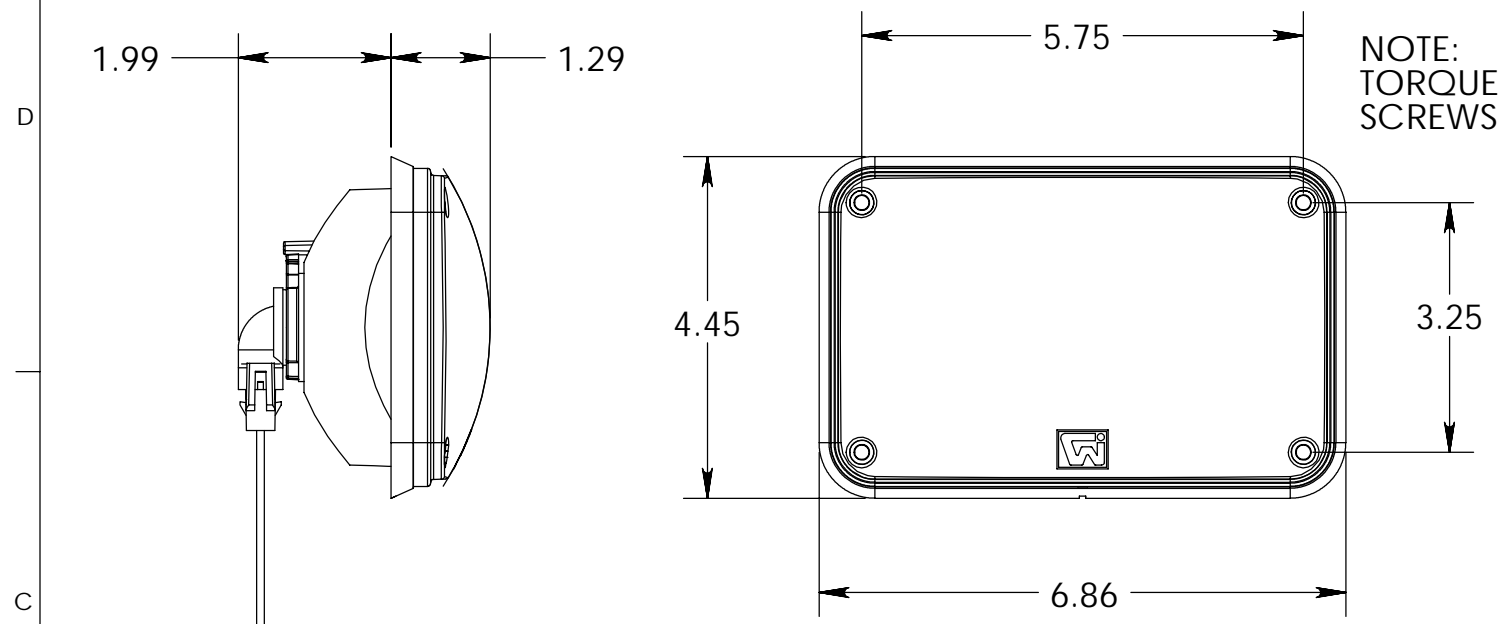
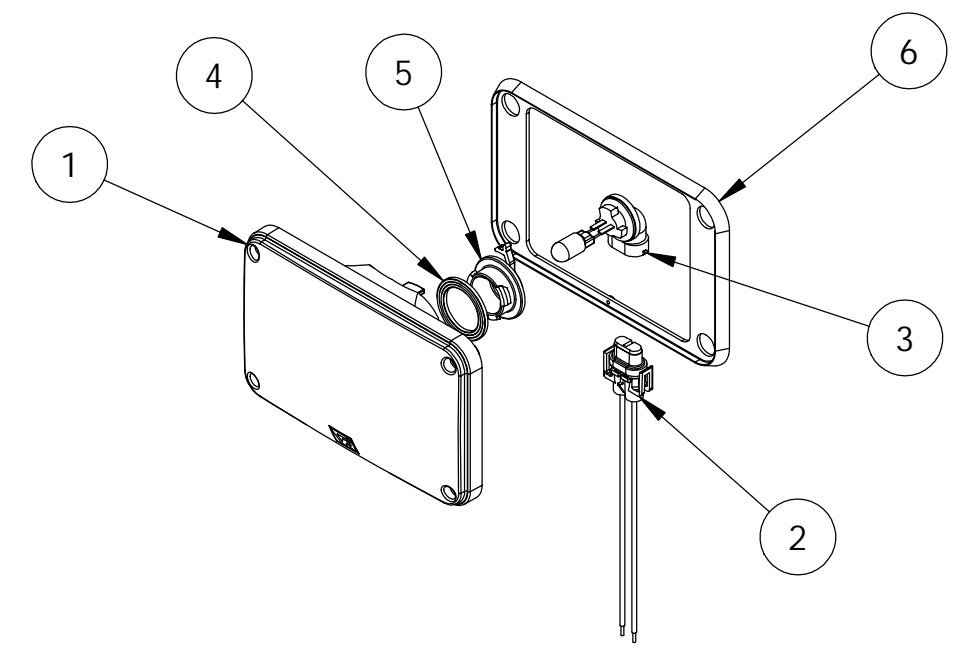


THIS DRAWING AND ALL INFORMATION CONTAINED HEREIN IS THE PROPERTY OF WELDON TECHNOLOGIES, INC. AND MAY NOT BE COPIED, REPRODUCED, OR DEVLGED TO UNAUTHORIZED PERSONS WITHOUT THE EXPRESS WRITTEN CONSENT OF WELDON TECHNOLOGIES, INC. AS IT IS BEING PROVIDED SOLELY FOR THE CONVENIENCE OF THE USER AND SHALL BE RETURNED TO WELDON TECHNOLOGIES, INC UPON REQUEST.

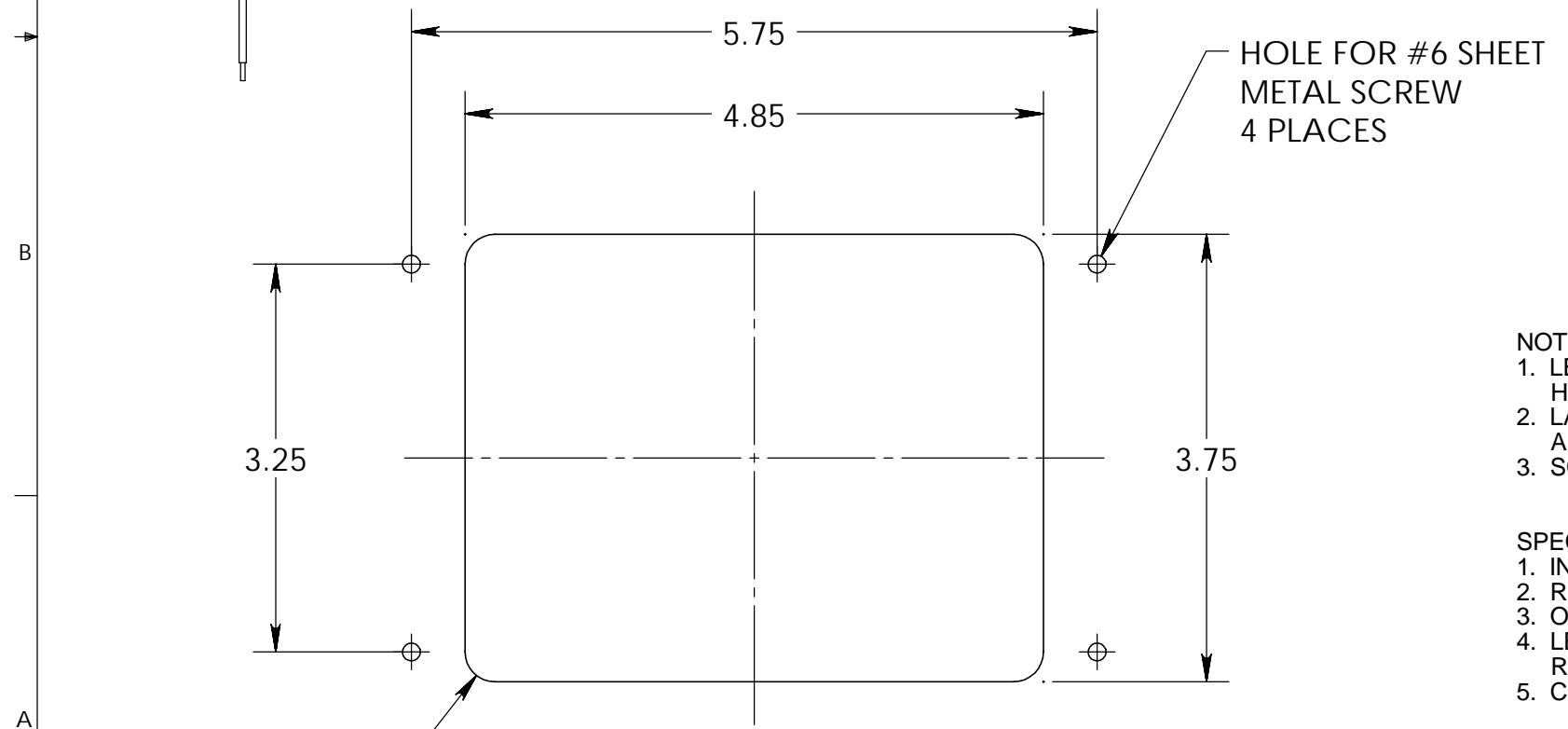
REVISIONS					
REV.	ECN	DESCRIPTION	DATE	BY	APVD
A	0629	DOCUMENTATION RELEASE	12/1/05	TS	ST



NOTE:
TORQUE MOUNTING
SCREWS TO 12-14 IN/LBS



ITEM	PART NUMBER	DESCRIPTION	QTY.
1	0C90-0350-33	LENS/REFLECTOR ASSY, SCENE	1
2	0L40-1805-00	LAMP CABLE ASSEMBLY	1
3	0E22-1357-00	886 BULB, RIGHT ANGLE HALOGEN	1
4	0K30-0509-00	SEAL, LAMP SOCKET	1
5	0K80-1671-00	886 LAMP ADAPTER	1
6	0D30-0385-00	MOUNTING PAD	1
7	0F29-0329-00	PILL, MOUNTING SCREW	1



- NOTES:
- LENS AND BEZEL MOUNTING HARDWARE IS INCLUDED WITH THE LAMP. USE OF HARDWARE OTHER THAN THAT SUPPLIED MAY VOID THE PRODUCT WARRANTY.
 - LAMP MUST BE MOUNTED TO A FLAT, VERTICAL SURFACE FOR PROPER SEALING AND PHOTOMETRIC PERFORMANCE.
 - SCENE LAMP MODEL NUMBER: 4611-0000-33

- SPECIFICATIONS:
- INPUT VOLTAGE: 12.8V
 - RED WIRE: +BATT CONNECTION, WHITE WIRE: GROUND.
 - OPERATING TEMP: -40 TO +55C
 - LENS MATERIAL IS AUTOMOTIVE GRADE POLYCARBONATE MEETING SAE WEATHERING REQUIREMENTS.
 - CURRENT DRAW: 3.9A @ 12.8V.

R.25 MAX. RECOMMENDED PANEL CUT-OUT

UNLESS OTHERWISE SPECIFIED DIMENSIONS ARE IN INCHES TOLERANCES ARE: X.XXX - ±0.005 X.XX - ±0.020 X.X - ±0.050 ANGLES - ±0.5*	CAD GENERATED DRAWING, DO NOT MANUALLY UPDATE		WELDON TECHNOLOGIES, INC.	
	APPROVALS	DATE		
MATERIAL	DRAWN TS	9/7/05	CUSTOMER DRAWING HALOGEN SCENE LAMP 4600 SERIES, PANEL MOUNT	
FINISH	CHECKED ST	9/14/05		
DO NOT SCALE DRAWING	QUAL ENG			
	MFG ENG			
	PROJ. NO.		SIZE B	PART NO. C4611-0000-33
			SCALE: 1:1	REV. A
			WELDON COMPUTER GRAPHICS SHEET 1 OF 1	