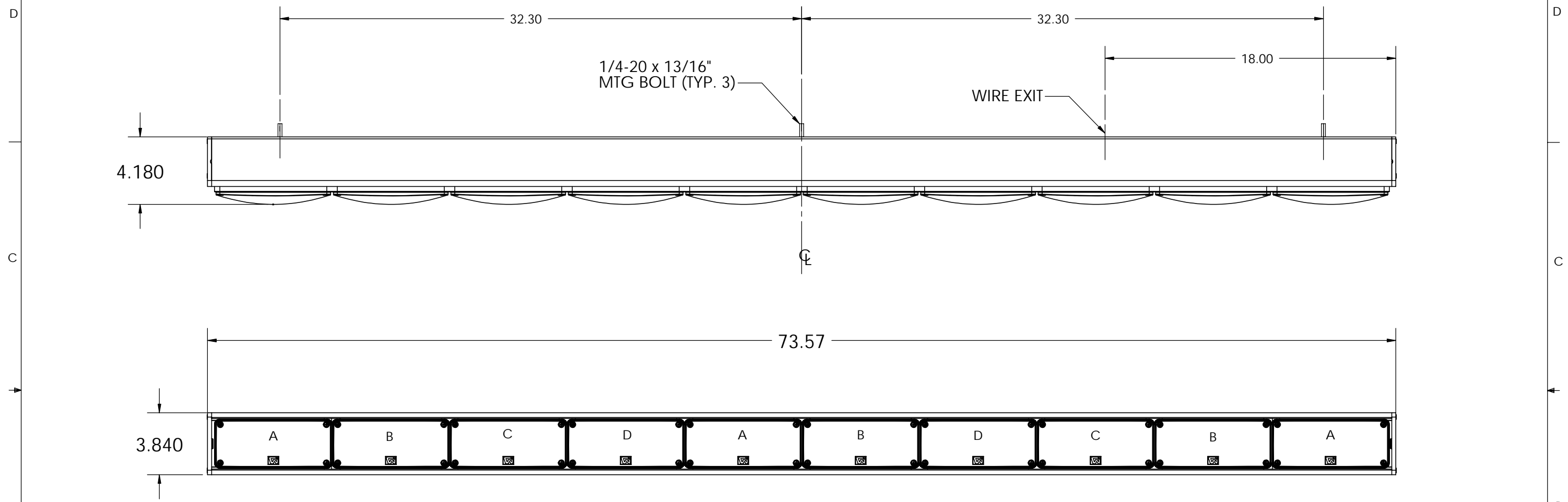


THIS DRAWING AND ALL INFORMATION CONTAINED HEREIN IS THE PROPERTY OF WELDON TECHNOLOGIES, INC. AND MAY NOT BE COPIED, REPRODUCED, OR DEVLGED TO UNAUTHORIZED PERSONS WITHOUT THE EXPRESS WRITTEN CONSENT OF WELDON TECHNOLOGIES, INC. AS IT IS BEING PROVIDED SOLELY FOR THE CONVENIENCE OF THE USER AND SHALL BE RETURNED TO WELDON TECHNOLOGIES, INC UPON REQUEST.

REVISIONS				
REV.	ECN	DESCRIPTION	DATE	BY APVD
A	R0574	DOCUMENTATION RELEASE	11/30/04	TS ST



LIGHT BAR WIRING

Function	Wire			
	Red	Black	Green	White
Quad Flash	+B	--	--	Gnd.
Wig-Wag	+B	Gnd.	--	Gnd.
Randon	+B	--	+B	Gnd.

NOTE:
 APPROXIMATELY 18' (MIN. 15') OF 16-4 JACKETED CABLE (APPROX. ϕ .23")
 PROTRUDES FOR REAR OF LIGHT BAR ON THE HORIZONTAL CENTERLINE @ THE
 WIRE EXIT LOCATION SHOWN

UNLESS OTHERWISE SPECIFIED DIMENSIONS ARE IN INCHES TOLERANCES ARE: X.XXX - \pm 0.005 X.XX - \pm 0.020 X.X - \pm 0.050 ANGLES - \pm 0.5°	CAD GENERATED DRAWING. DO NOT MANUALLY UPDATE		WELDON TECHNOLOGIES, INC.		
	APPROVALS	DATE			
	DRAWN	TS	11/29/04	3800 SERIES LIGHTBAR 10 LED LAMP - FRONT MTG. CUSTOMER SPECIFIC	
	CHECKED	ST	11/30/04		
MATERIAL	QUAL ENG				
FINISH	MFG ENG		SIZE B	PART NO. C3902-7408-00	REV. A
DO NOT SCALE DRAWING	PROJ. NO.		SCALE: 1:6	WELDON COMPUTER GRAPHICS	SHEET 1 OF 1