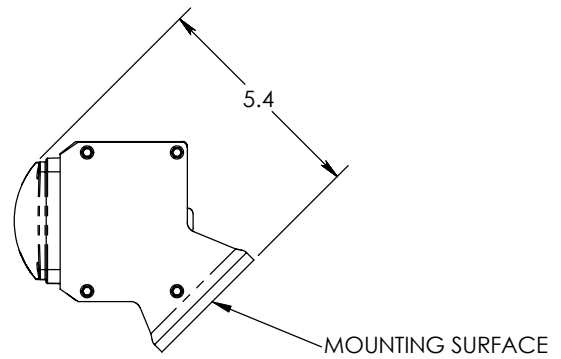
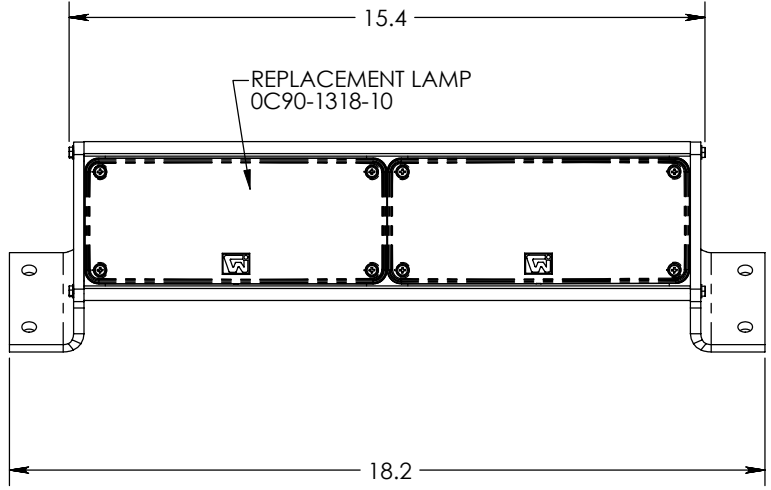
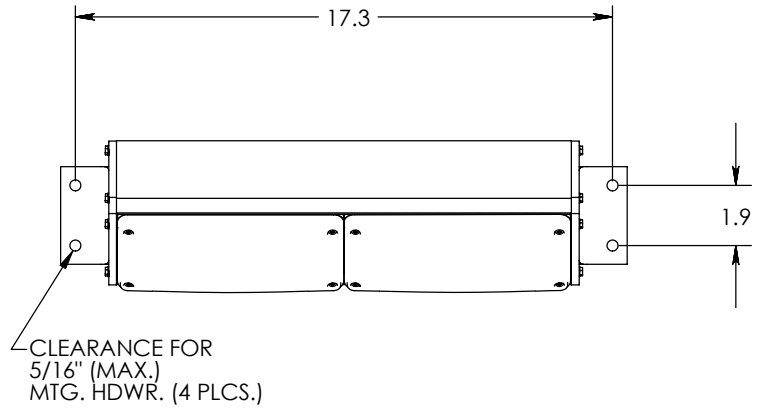
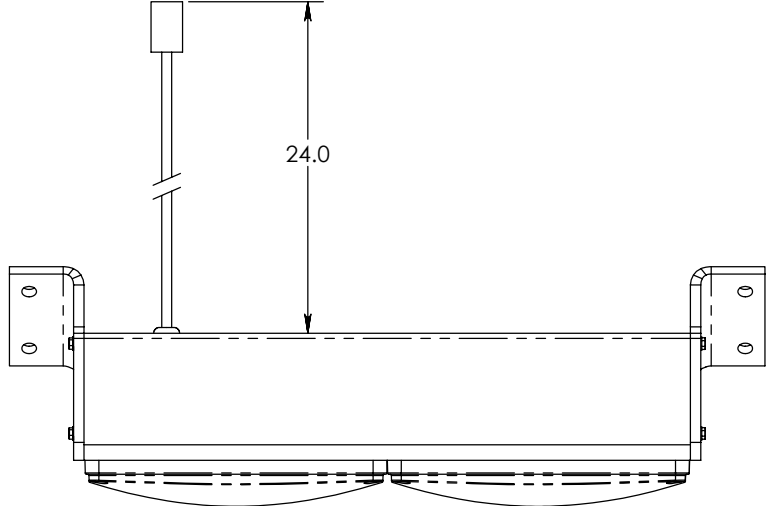


THIS DRAWING AND ALL INFORMATION CONTAINED HEREIN IS THE PROPERTY OF WELDON TECHNOLOGIES, INC. AND MAY NOT BE COPIED, REPRODUCED, OR DIVULGED TO UNAUTHORIZED PERSONS WITHOUT THE EXPRESS WRITTEN CONSENT OF WELDON TECHNOLOGIES, INC. AS IT IS BEING PROVIDED SOLELY FOR THE CONVENIENCE OF THE USER AND SHALL BE RETURNED TO WELDON TECHNOLOGIES, INC. UPON REQUEST.

REVISIONS					
REV.	ECN	DESCRIPTION	DATE	BY	APVD
A	R0506	DOCUMENTATION RELEASE	4/27/04	TS	ST



UNLESS OTHERWISE SPECIFIED DIMENSIONS ARE IN INCHES TOLERANCES ARE: X.XXX - ±0.005 X.XX - ±0.020 X.X - ±0.050 ANGLES - ±0.5°	CAD GENERATED DRAWING. DO NOT MANUALLY UPDATE		WELDON TECHNOLOGIES, INC. CUSTOMER DRAWING LED LIGHTBAR - RED 2 LAMP ROADSIDE		
	APPROVALS	DATE			
	DRAWN	TS	3/17/04	SIZE	PART NO.
	CHECKED	ST	3/24/04	SCALE	1:1
MATERIAL	QUAL ENG		C3901-1605-00		
FINISH	MFG ENG		REV. A		
DO NOT SCALE DRAWING	PROJ. NO.		SHEET 1 OF 1		