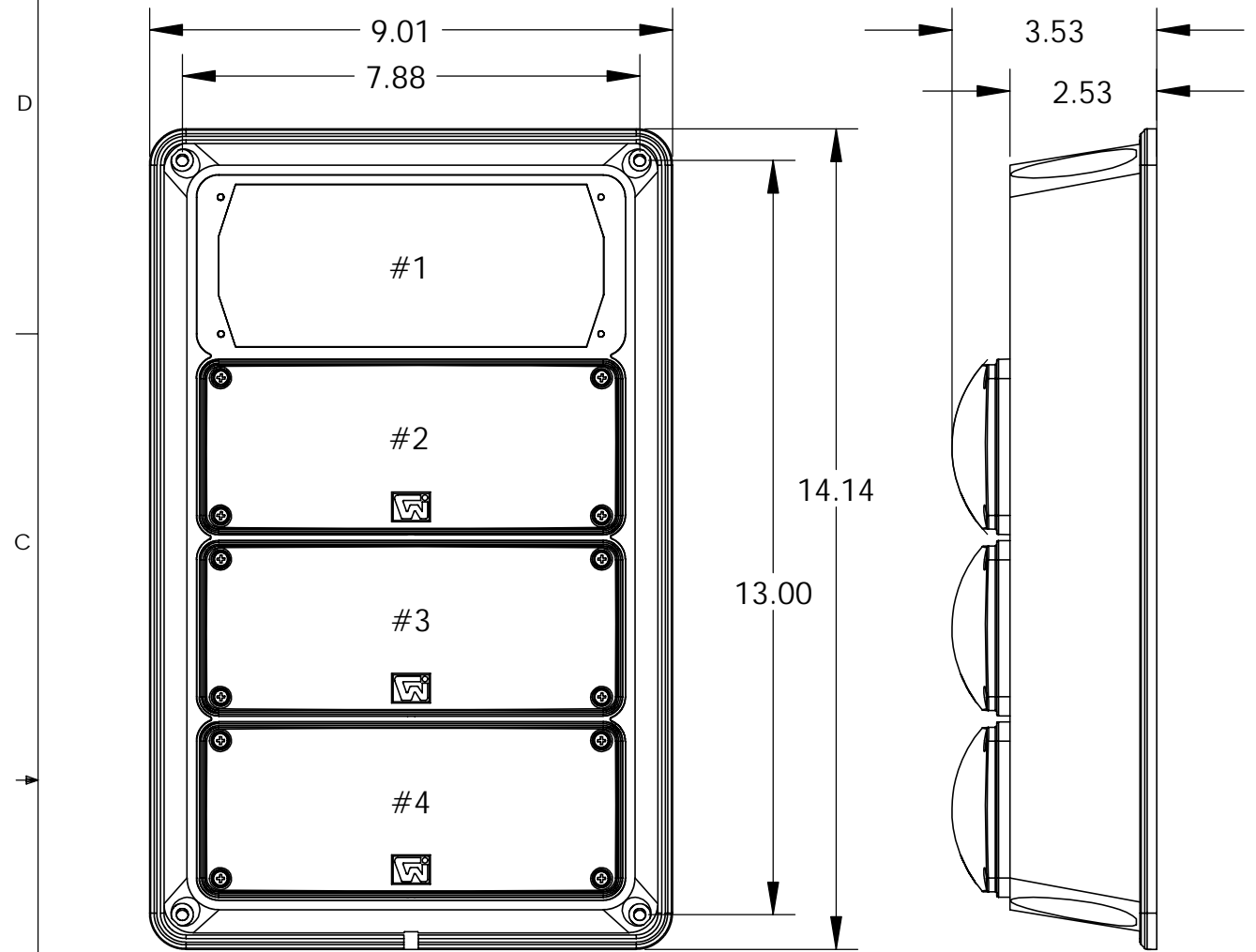


THIS DRAWING AND ALL INFORMATION CONTAINED HEREIN IS THE PROPERTY OF WELDON TECHNOLOGIES, INC. AND MAY NOT BE COPIED, REPRODUCED, OR DIVULGED TO UNAUTHORIZED PERSONS WITHOUT THE EXPRESS WRITTEN CONSENT OF WELDON TECHNOLOGIES, INC. AS IT IS BEING PROVIDED SOLELY FOR THE CONVENIENCE OF THE USER AND SHALL BE RETURNED TO WELDON TECHNOLOGIES, INC. UPON REQUEST.

REVISIONS				
REV.	ECN	DESCRIPTION	DATE	BY APVD
A	R0346	DOCUMENTATION RELEASE	5/16/02	TS ST



FUNCTION	WIRE COLOR	DEUTSCH POSITION	INCANDESCENT BULB TYPE	INCANDESCENT LAMP SUB-ASSM
STOP	RED	1	2357 (40/3cp)	0C90-1029-10
TAIL	BLACK	2		
LEFT TURN	GREEN	3	3497 (45cp)	0C90-1030-21
RIGHT TURN	GREEN	3	3497 (45cp)	0C90-1030-22
BACK UP	BLUE	4	1156 (32cp)	0C90-1028-33
GROUND	WHITE	5	-	-

NOTE: CUSTOMER WIRING HARNESSES SHOULD BE TERMINATED AS FOLLOWS:

	DEUTSCH
CONNECTOR BODY	DT06-6S
TERMINAL	0462-201-16141 (16-18-20 AWG)
TERMINAL	0462-209-16141 (12-14 AWG)
LOCKING WEDGE	W6S
HOLE PLUG	0413-204-2005

TERMINALS AND SEALS ACCOMMODATING OTHER WIRE DIAMETERS ARE AVAILABLE FROM CONNECTOR SUPPLIER.

MODEL NO.	LAMP POSITION			
	#1	#2	#3	#4
3894-1200-01	OPEN	LEFT ARROW TURN	STOP/TAIL	BACK UP
3894-1200-02	OPEN	RIGHT ARROW TURN	STOP/TAIL	BACK UP

UNLESS OTHERWISE SPECIFIED DIMENSIONS ARE IN INCHES TOLERANCES ARE: X.XXX - ±0.005 X.XX - ±0.020 X.X - ±0.050 ANGLES - ±0.5°	CAD GENERATED DRAWING. DO NOT MANUALLY UPDATE		WELDON TECHNOLOGIES, INC.	
	APPROVALS	DATE		
	DRAWN	TS 5/17/02	MECHANICAL OVERVIEW 3894 SERIES QUAD-CLUSTER	
	CHECKED	ST 5/17/02		
MATERIAL	QUAL ENG			
FINISH	MFG ENG	SIZE B	PART NO. C3894	REV. A
DO NOT SCALE DRAWING	PROJ. NO.	SCALE: 1:1	WELDON COMPUTER GRAPHICS	SHEET 1 OF 1