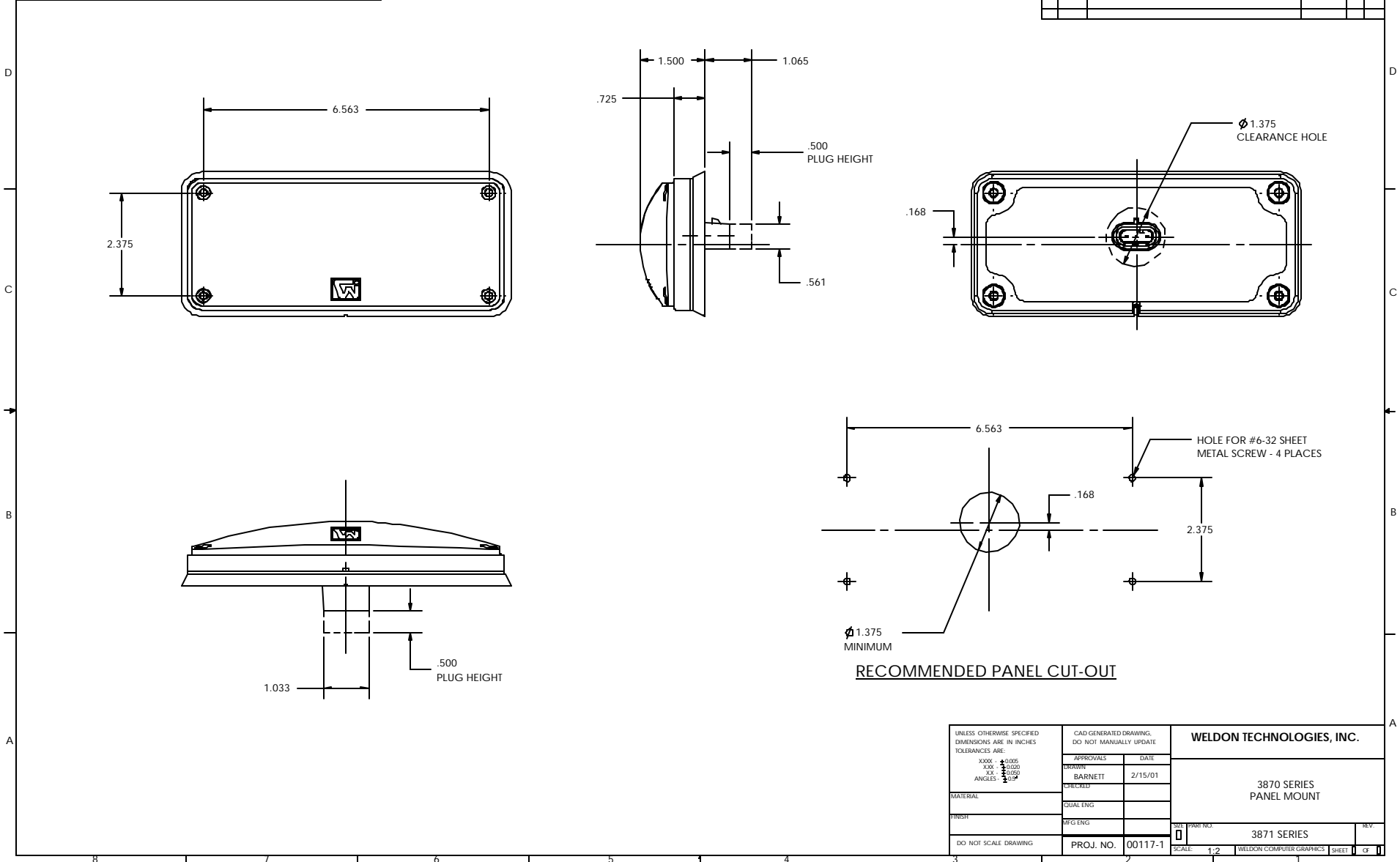


THIS DRAWING AND ALL INFORMATION CONTAINED HEREIN IS THE PROPERTY OF WELDON TECHNOLOGIES, INC. AND MAY NOT BE COPIED, REPRODUCED, OR DISCLOSED TO UNAUTHORIZED PERSONS WITHOUT THE EXPRESS WRITTEN CONSENT OF WELDON TECHNOLOGIES, INC. AS IT IS BEING PROVIDED SOLELY FOR THE CONVENIENCE OF THE USER AND SHALL BE RETURNED TO WELDON TECHNOLOGIES, INC. UPON REQUEST.

REVISIONS					
REV	ECN	DESCRIPTION	DATE	BY	APVD
1	1	RELEASE FOR REFERENCE	2/15/01	TS	



UNLESS OTHERWISE SPECIFIED DIMENSIONS ARE IN INCHES TOLERANCES ARE: XXXX ± .0005 XXX ± .0020 XX ± .0050 ANGLES ± .04°	CAD GENERATED DRAWING. DO NOT MANUALLY UPDATE		<b>WELDON TECHNOLOGIES, INC.</b>	
	APPROVALS DRAWN: BARNETT	DATE 2/15/01	3870 SERIES PANEL MOUNT	
	CHECKED: CDAL ENG	MFG ENG		
	MATERIAL: FINISH: DO NOT SCALE DRAWING	PROJ. NO. 00117-1	PART NO. 3871 SERIES	REV.
SCALE: 1:2		WELDON COMPUTER GRAPHICS SHEET 1 OF 1		