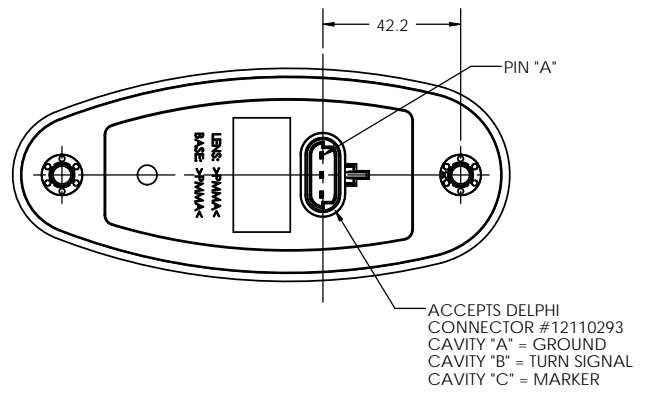
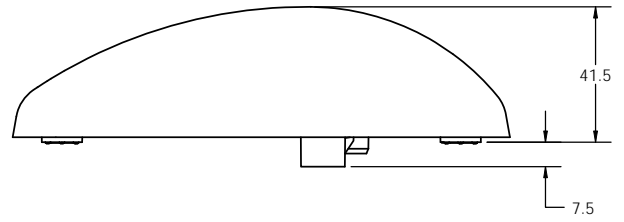
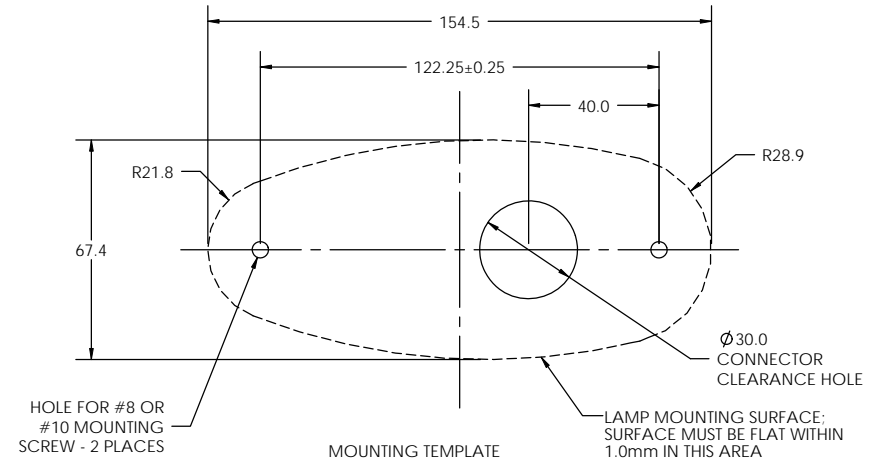
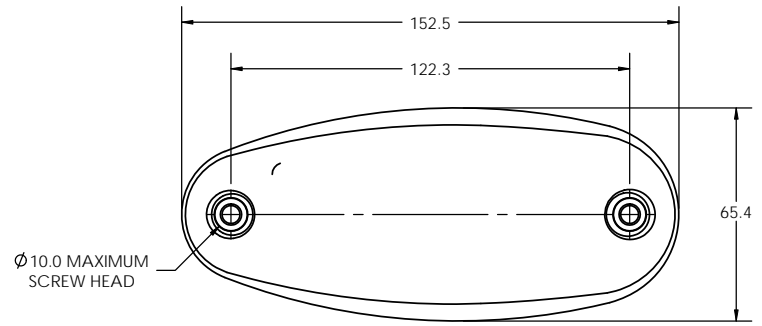


THIS DRAWING AND ALL INFORMATION CONTAINED HEREIN IS THE PROPERTY OF WELDON TECHNOLOGIES, INC. AND MAY NOT BE COPIED, REPRODUCED, OR DIVULGED TO UNAUTHORIZED PERSONS WITHOUT THE EXPRESS WRITTEN CONSENT OF WELDON TECHNOLOGIES, INC. AS IT IS BEING PROVIDED SOLELY FOR THE CONVENIENCE OF THE USER AND SHALL BE RETURNED TO WELDON TECHNOLOGIES, INC. UPON REQUEST.

REVISIONS				
REV	ECN	DESCRIPTION	DATE	BY / APVD
A	R0952	RELEASE FOR PRODUCTION	2/28/11	TB



- NOTES:
- RECOMMENDED INSTALLATION TORQUE TO BE 1.0-1.3 N-m (10-12 IN-LB). MAXIMUM INSTALLATION TORQUE TO BE 2.0 N-m (20 IN-LB).
 - LENS MATERIAL: PMMA (ACRYLIC). MATERIAL MEETS SAE J576. BASE MATERIAL: PMMA (ACRYLIC).
 - MATING LAMP CONNECTOR TO BE DELPHI #12110293. TERMINAL LOCK TO BE DELPHI #12052845.
 - TERMINAL TO BE:
 - 20-22 AWG WIRE = DELPHI #12084200
 - 16-20 AWG WIRE = DELPHI #12048074
 - CABLE SEAL TO BE:
 - CABLE DIAMETER 1.29-1.70 = DELPHI #12048087
 - CABLE DIAMETER 1.60-2.15 = DELPHI #12089678
 - CABLE DIAMETER 2.03-2.85 = DELPHI #12048086
 - OPERATING VOLTAGE RANGE = 9.0-18.0 VDC.
 - LAMP CURRENT TO BE:

	MIN. (9.0VDC)	TYP. (14.0VDC)	MAX. (18.0VDC)
TURN SIGNAL	20 mA	140 mA	250 mA
MARKER LAMP	12 mA	60 mA	120 mA
 - OPERATING TEMPERATURE RANGE = -40C TO +85C
 - LAMP ASSEMBLY IS SEALED TO IP6K9K REQUIREMENTS.
 - THIS LAMP ASSEMBLY COMPLIES WITH FMVSS 108 AND ANY SAE STANDARD REFERENCED THEREIN WITH RESPECT TO THE FOLLOWING:
 - A.) CLEARANCE/SIDEMARKER LAMPS PER SAE J592e JUL72
 - B.) SIDE TURN SIGNAL LAMPS PER SAE J914 JAN95
 - C.) PLASTIC MATERIALS MATERIALS PER SAE J576 JUL91
 - D.) COLOR PER SAE J578c FEB77
 - E.) TEST METHODS PER SAE J575e AUG70

PART NUMBER	LENS COLOR	LED COLOR
2710-0100-20	AMBER	AMBER
2710-1100-20	CLEAR	AMBER

UNLESS OTHERWISE SPECIFIED DIMENSIONS ARE IN mm TOLERANCES ARE: X.XX - ±0.15 X.X - ±0.5 ANGLES - ±0.5°	CAD GENERATED DRAWING. DO NOT MANUALLY UPDATE
APPROVALS	DATE
DRAWN: BARNETT	6/1/10
CHECKED:	
QUAL ENG:	
FINISH:	
MFG ENG:	
DO NOT SCALE DRAWING	PROJ. NO. 00193

WELDON TECHNOLOGIES, INC.	
CUSTOMER DRAWING SIDE TURN SIGNAL/MARKER ASSEMBLY	
SIZE: B	PART NO. C2710-0100-00
SCALE:	REV. A
WELDON COMPUTER GRAPHICS SHEET 1 OF 1	