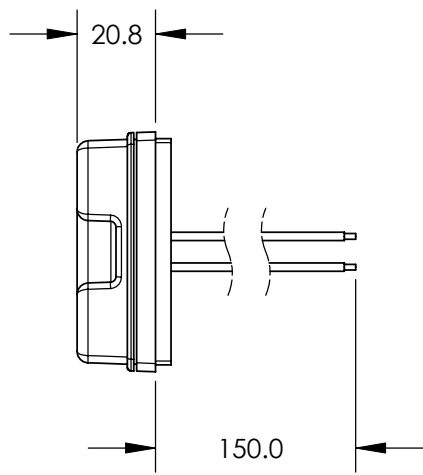
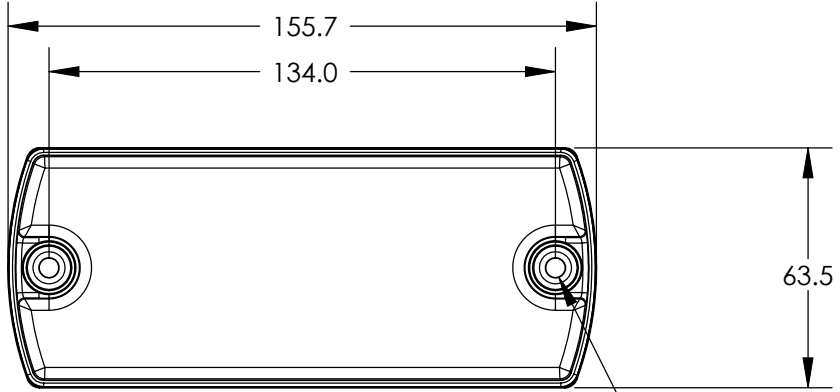


THIS DRAWING AND ALL INFORMATION CONTAINED HEREIN IS THE PROPERTY OF WELDON TECHNOLOGIES, INC. AND MAY NOT BE COPIED, REPRODUCED, OR DEVULGED TO UNAUTHORIZED PERSONS WITHOUT THE EXPRESS WRITTEN CONSENT OF WELDON TECHNOLOGIES, INC. AS IT IS BEING PROVIDED SOLELY FOR THE CONVENIENCE OF THE USER AND SHALL BE RETURNED TO WELDON TECHNOLOGIES, INC UPON REQUEST.



CLEARANCE HOLE FOR #10 SCREW (MAX.) 2 PLACES

A	0763	4/14/08	RELEASE AS A REFERENCE	LH	ST
REV NO.	ECO NO.	DATE	DESCRIPTION	REV BY	CKD BY
PARTS LIST					
UNLESS OTHERWISE SPECIFIED DIMENSIONS ARE IN INCHES TOLERANCES ARE: X.XXX - ±0.005 X.XX - ±0.020 X.X - ±0.050 ANGLES - ±0.5°		CAD GENERATED DRAWING, DO NOT MANUALLY UPDATE		Weldon Technologies, Inc.	
		APPROVALS	DATE		
MATERIAL		DRAWN	LH	6/13/07	
FINISH		CHECKED	--	---	
DO NOT SCALE DRAWING		QUAL ENG			
		FILE LOCATION			
		PROJECT NO.			
		SIZE	DWG. NO. C2631-0000-00		
		SCALE:	WELDON COMPUTER GRAPHICS		SHEET OF