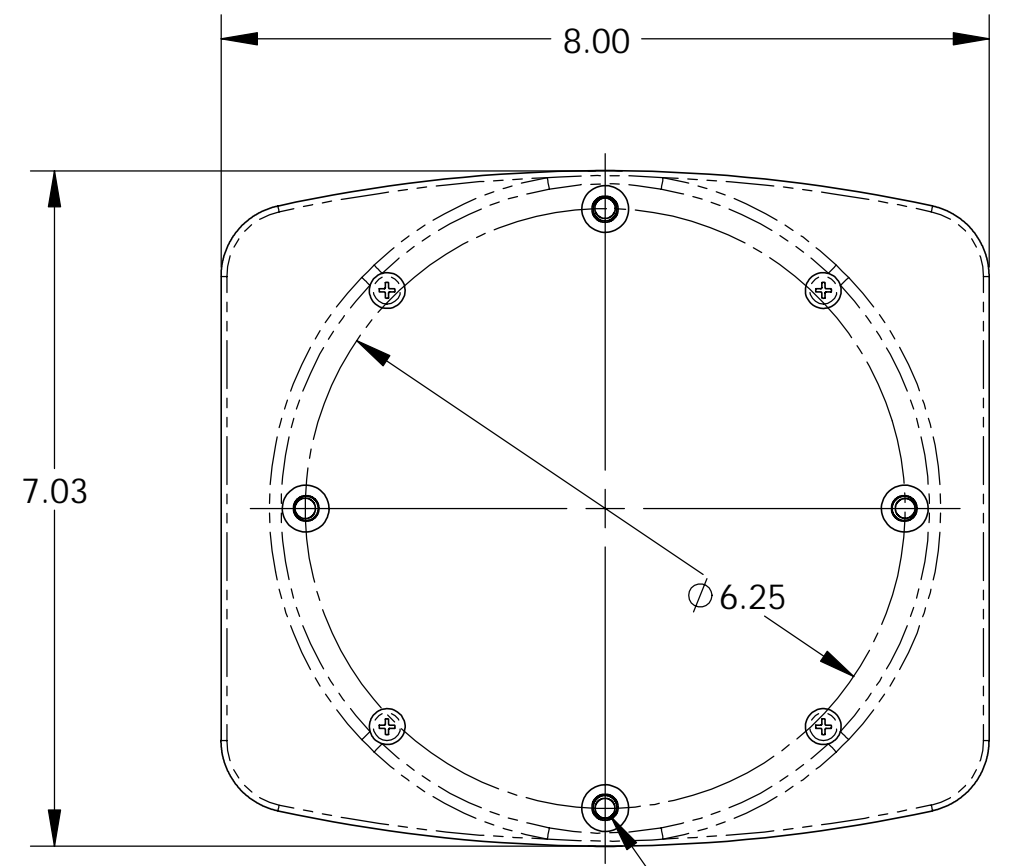
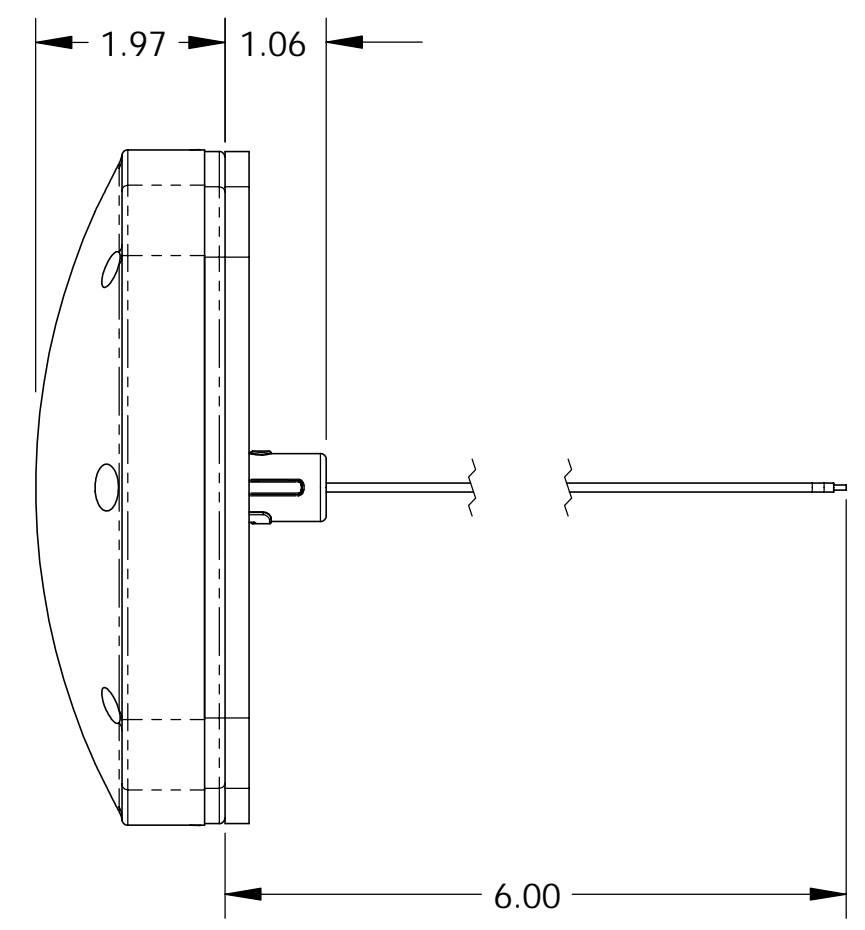


THIS DRAWING AND ALL INFORMATION CONTAINED HEREIN IS THE PROPERTY OF WELDON TECHNOLOGIES, INC. AND MAY NOT BE COPIED, REPRODUCED, OR DEVULGED TO UNAUTHORIZED PERSONS WITHOUT THE EXPRESS WRITTEN CONSENT OF WELDON TECHNOLOGIES, INC. AS IT IS BEING PROVIDED SOLELY FOR THE CONVENIENCE OF THE USER AND SHALL BE RETURNED TO WELDON TECHNOLOGIES, INC. UPON REQUEST.

REVISIONS				
REV.	ECN	DESCRIPTION	DATE	BY APVD
A	R0455	RELEASE AS REFERENCE	9/2/03	TS



CLEARANCE FOR #10 SCREW (MAX.) (4 PLCS.)



NOTE:  
SINGLE FILAMENT LAMP ASSEMBLY SHOWN. DIMENSIONS ARE SAME FOR DUAL FILAMENT LAMPS

UNLESS OTHERWISE SPECIFIED DIMENSIONS ARE IN INCHES TOLERANCES ARE: X.XXX - ±0.005 X.XX - ±0.020 X.X - ±0.050 ANGLES - ±0.5°	CAD GENERATED DRAWING, DO NOT MANUALLY UPDATE		WELDON TECHNOLOGIES, INC.	
	APPROVALS	DATE	STOP LAMP, CHROME RED/AMBER W/PACKARD TERMINAL	
	DRAWN TS	9/2/03		
	CHECKED ST	6/6/02		
MATERIAL	QUAL ENG	SIZE B	PART NO. C2010	REV. A
FINISH	MFG ENG	SCALE: 1:1	WELDON COMPUTER GRAPHICS	SHEET 1 OF 1
DO NOT SCALE DRAWING	PROJ. NO.			