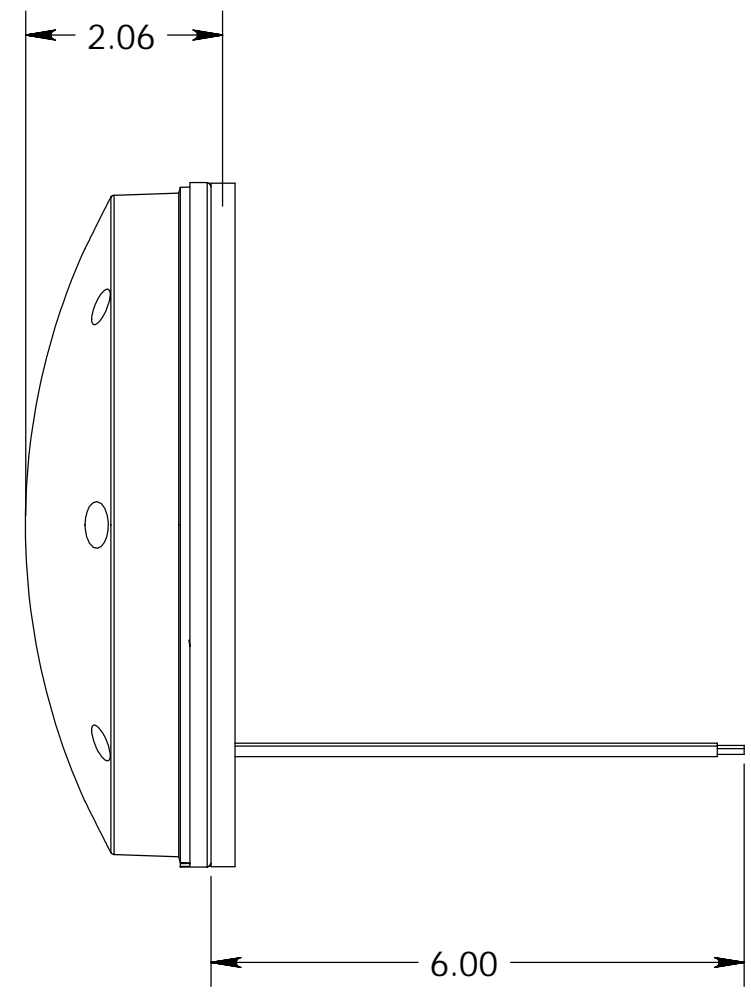
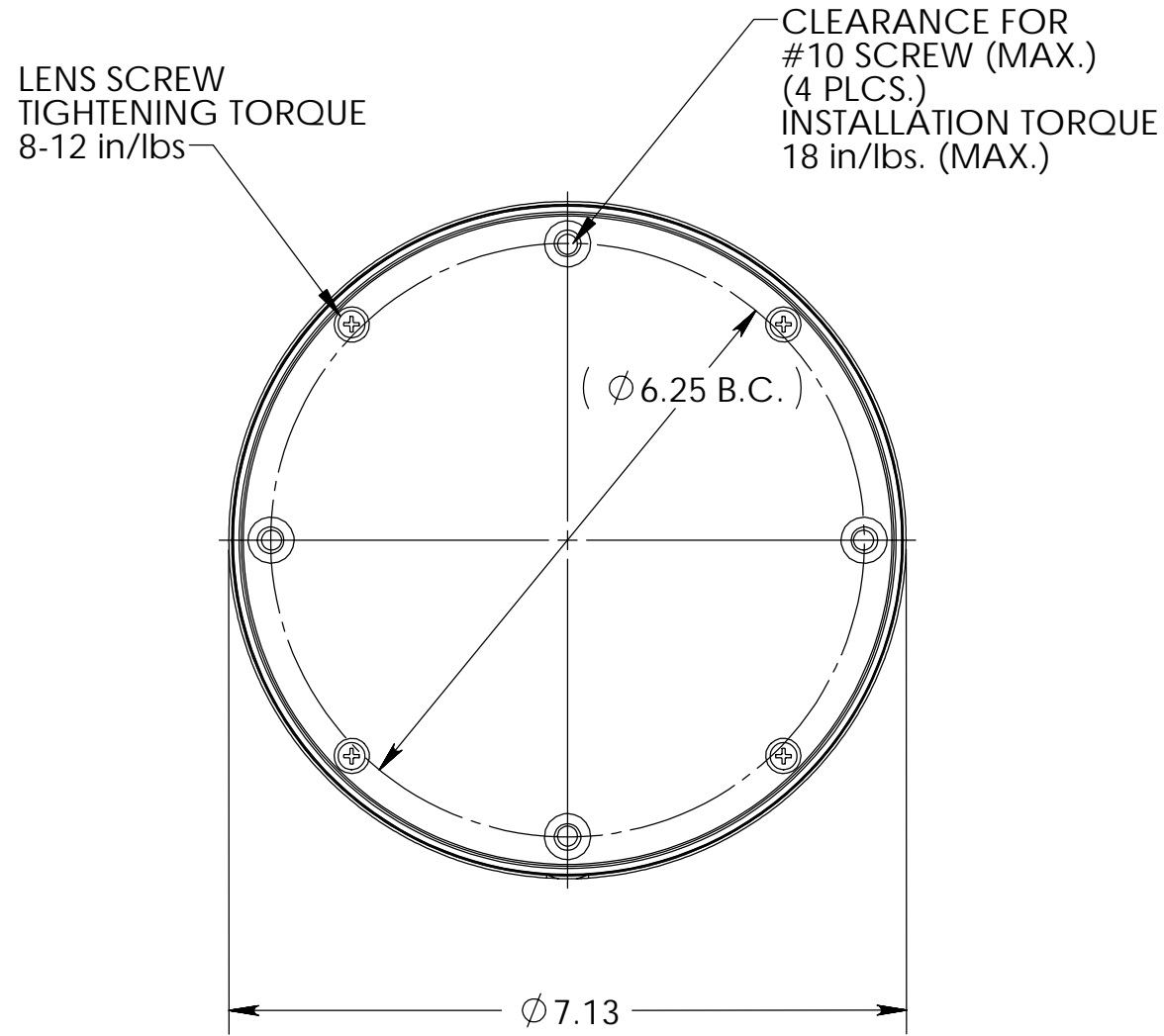


THIS DRAWING AND ALL INFORMATION CONTAINED HEREIN IS THE PROPERTY OF WELDON TECHNOLOGIES, INC. AND MAY NOT BE COPIED, REPRODUCED, OR DEVLGED TO UNAUTHORIZED PERSONS WITHOUT THE EXPRESS WRITTEN CONSENT OF WELDON TECHNOLOGIES, INC. AS IT IS BEING PROVIDED SOLELY FOR THE CONVENIENCE OF THE USER AND SHALL BE RETURNED TO WELDON TECHNOLOGIES, INC UPON REQUEST.

REVISIONS					
REV.	ECN	DESCRIPTION	DATE	BY	APVD
A	R0694	DOCUMENTATION RELEASE	7/5/06	TS	ST



Service Part Number	Description	Qty.
1003-0000-10	Lens, Acrylic, Red	1
1014-0000-00	Gasket, Lens	1
1015-0000-00	Gasket, Mounting	1
9018-0020-00	Bulb, Miniature, #1157, 32/3cp	1
9028-0006-00	Screw, Lens, 8-32 x 7/16 PPHMS, TT	4

UNLESS OTHERWISE SPECIFIED DIMENSIONS ARE IN INCHES TOLERANCES ARE: X.XXX - ±0.005 X.XX - ±0.020 X.X - ±0.050 ANGLES - ±0.5°	CAD GENERATED DRAWING, DO NOT MANUALLY UPDATE		WELDON TECHNOLOGIES, INC.	
	APPROVALS	DATE		
	DRAWN	TS 7/5/06	CUSTOMER DRAWING STOP/TAIL LAMP, D.C. FLAT BACK, RED	
	CHECKED	ST 7/5/06		
QUAL ENG				
MATERIAL	MFG ENG	SIZE	PART NO.	REV.
FINISH		B	C1010-7120-10	A
DO NOT SCALE DRAWING	PROJ. NO.	SCALE:	1:1	WELDON COMPUTER GRAPHICS SHEET 1 OF 1