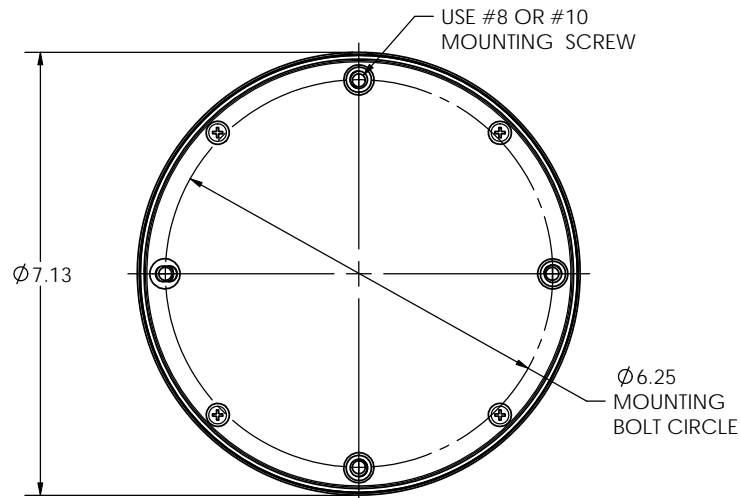
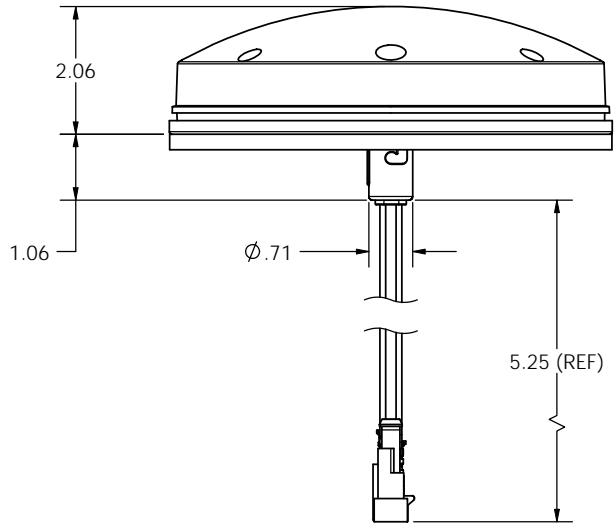


THIS DRAWING AND ALL INFORMATION CONTAINED HEREIN IS THE PROPERTY OF WELDON TECHNOLOGIES, INC. AND MAY NOT BE COPIED, REPRODUCED, OR DEVULGED TO UNAUTHORIZED PERSONS WITHOUT THE EXPRESS WRITTEN CONSENT OF WELDON TECHNOLOGIES, INC. AS IT IS BEING PROVIDED SOLELY FOR THE CONVENIENCE OF THE USER AND SHALL BE RETURNED TO WELDON TECHNOLOGIES, INC. UPON REQUEST.

REVISIONS				
REV.	ECN	DESCRIPTION	DATE	BY / APVD
A	R0893	DOCUMENTATION RELEASE	4/8/09	TB



Part No.	Description	Qty.	Qty.
1003-0000-10	Lens, Acrylic, Red	1	--
1003-0000-20	Lens, Acrylic, Amber	--	1
1014-0000-00	Gasket, Lens	1	1
1015-0000-00	Gasket, Mounting	1	1
9018-0020-00	Bulb, Miniature, #1157, 32/3cp	1	1
9028-0006-00	Screw, 8-32 x 7/16 PHPHD T/T	4	4



- NOTES:
- THIS LAMP ASSEMBLY COMPLIES WITH FMVSS108 AND ANY SAE STANDARDS REFERENCED THEREIN WITH RESPECT TO THE FOLLOWING:
    - A) 1010-1126-13: STOP LAMPS PER SAE J586  
TAIL LAMPS PER SAE J585
    - 1010-1126-23: TURN SIGNALS PER SAE J588  
PARK LAMPS PER SAE J222
  - B) PLASTIC MATERIALS PER SAE J576
  - C) COLOR PER SAE J578
  - D) TEST METHODS PER SAE J575
  2. ELECTRICAL SPECIFICATIONS:
    - A) INPUT VOLTAGE RATING = 12.8 VDC MAJOR; 14.0 VDC MINOR
    - B) INPUT CURRENT = 2.10A MAJOR; 0.59A MINOR
    - C) CANDLEPOWER = 32 CP MAJOR; 3 CP MINOR
  3. OPERATING TEMPERATURE RANGE = -30C TO +55C
  4. CONNECTOR INFORMATION:
    - MANUFACTURER = TYCO (AMP)
    - CONNECTOR HOUSING = #282105-1
    - TERMINAL = #282109-1
    - WIRE SEAL = #281934-2

PART NUMBER	POSITION		
	1	2	3
1010-1126-13	GROUND	TAIL (+)	STOP (+)
1010-1126-23	GROUND	PARK (+)	TURN (+)

UNLESS OTHERWISE SPECIFIED DIMENSIONS ARE IN INCHES TOLERANCES ARE: X.XXX - ±0.005 X.XX - ±0.020 X.X - ±0.050 ANGLES - ±0.5°	CAD GENERATED DRAWING. DO NOT MANUALLY UPDATE		<b>WELDON TECHNOLOGIES, INC.</b>	
	APPROVALS	DATE		
	DRAWN BARNETT	4/8/09	CUSTOMER DRAWING STOP/TAIL, TURN/PARK EXTERNAL GROUND 3 POSITION AMP SUPERSEAL	
	CHECKED			
MATERIAL	QUAL ENG			
FINISH	MFG ENG			
DO NOT SCALE DRAWING	PROJ. NO.	SIZE B	PART NO. C1010-1126-13	REV. A
		SCALE: 1:1	WELDON COMPUTER GRAPHICS	SHEET 1 OF 1