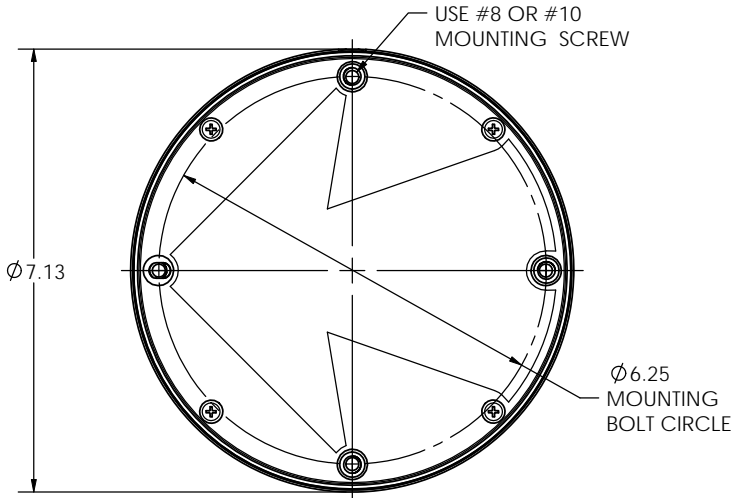


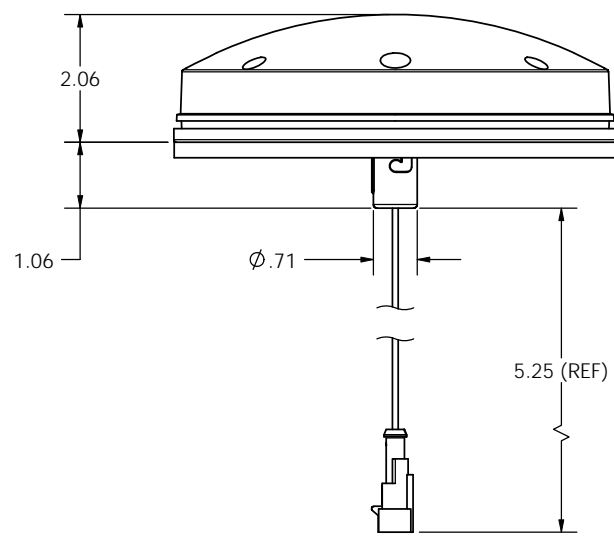
THIS DRAWING AND ALL INFORMATION CONTAINED HEREIN IS THE PROPERTY OF WELDON TECHNOLOGIES, INC. AND MAY NOT BE COPIED, REPRODUCED, OR DIVULGED TO UNAUTHORIZED PERSONS WITHOUT THE EXPRESS WRITTEN CONSENT OF WELDON TECHNOLOGIES, INC. AS IT IS BEING PROVIDED SOLELY FOR THE CONVENIENCE OF THE USER AND SHALL BE RETURNED TO WELDON TECHNOLOGIES, INC. UPON REQUEST.

REVISIONS				
REV.	ECN	DESCRIPTION	DATE	BY / APVD
A	R0893	DOCUMENTATION RELEASE	4/8/09	TB



Part No.	Description	Qty.	Qty.
1002-0000-10	Lens, Acrylic, Red - Arrow Turn	1	--
1002-0000-20	Lens, Acrylic, Amber - Arrow Turn	--	1
1014-0000-00	Gasket, Lens	1	1
1015-0000-00	Gasket, Mounting	1	1
9018-0013-00	Bulb, Miniature, #1156, 32cp	1	1
9028-0006-00	Screw, 8-32 x 7/16 PHPHD T/T	4	4

1000-1106-13	1000-1106-23
--------------	--------------



- NOTES:
- THIS LAMP ASSEMBLY COMPLIES WITH FMVSS108 AND ANY SAE STANDARDS REFERENCED THEREIN WITH RESPECT TO THE FOLLOWING:
    - TURN SIGNALS PER SAE J588
    - PLASTIC MATERIALS PER SAE J576
    - COLOR PER SAE J578
    - TEST METHODS PER SAE J575
  - ELECTRICAL SPECIFICATIONS:
    - INPUT VOLTAGE RATING = 12.8 VDC
    - INPUT CURRENT = 2.10 A
    - CANDLEPOWER = 32 CP
  - OPERATING TEMPERATURE RANGE = -30C TO +55C
  - CONNECTOR INFORMATION:
    - MANUFACTURER = TYCO (AMP)
    - CONNECTOR HOUSING = #282104-1
    - TERMINAL = #282109-1
    - WIRE SEAL = #281934-2

PIN POSITION TABLE

PART NUMBER	POSITION	
	1	2
1000-1106-13	RED TURN (+)	GROUND
1000-1106-23	AMBER TURN (+)	GROUND

UNLESS OTHERWISE SPECIFIED DIMENSIONS ARE IN INCHES TOLERANCES ARE: X.XXX - $\pm 0.005$ X.XX - $\pm 0.020$ X.X - $\pm 0.050$ ANGLES - $\pm 0.5^\circ$	CAD GENERATED DRAWING. DO NOT MANUALLY UPDATE		WELDON TECHNOLOGIES, INC.	
	APPROVALS	DATE		
MATERIAL	DRAWN BARNETT	4/8/09	CUSTOMER DRAWING ARROW TURN SIGNAL EXTERNAL GROUND 2 POSITION AMP SUPERSEAL	
FINISH	CHECKED			
DO NOT SCALE DRAWING	PROJ. NO.		SIZE B	PART NO. C1000-1106-13
			SCALE: 1:1	REV. A

WELDON COMPUTER GRAPHICS SHEET 1 OF 1