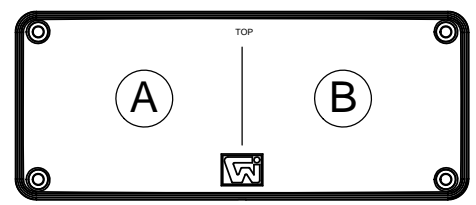
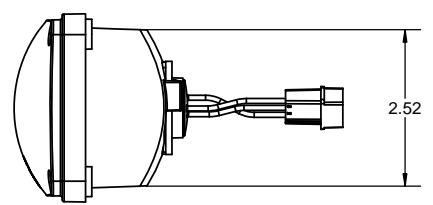
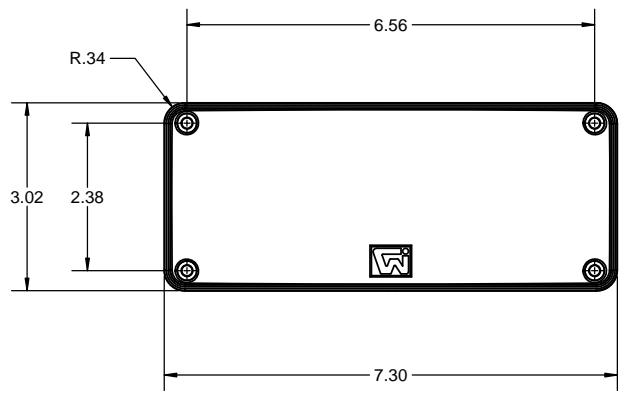


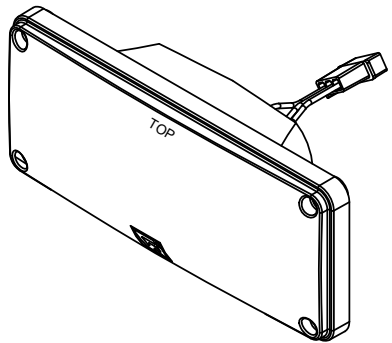
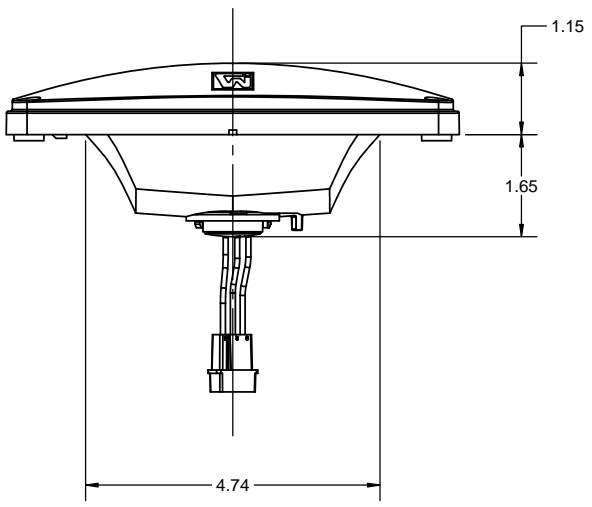
THIS DRAWING AND ALL INFORMATION CONTAINED HEREIN IS THE PROPERTY OF WELDON TECHNOLOGIES, INC. AND MAY NOT BE COPIED, REPRODUCED, OR DIVULGED TO UNAUTHORIZED PERSONS WITHOUT THE EXPRESS WRITTEN CONSENT OF WELDON TECHNOLOGIES, INC. AS IT IS BEING PROVIDED SOLELY FOR THE CONVENIENCE OF THE USER AND SHALL BE RETURNED TO WELDON TECHNOLOGIES, INC. UPON REQUEST.

REVISIONS				
REV.	ECN	DESCRIPTION	DATE	BY / APVD
A	R0328	DRAWING RELEASE	1/16/12	TB



**FILTER LENS POSITION DETAIL**

PART NUMBER	POSITION "A"	POSITION "B"
0C90-1379-12	RED	AMBER
0C90-1379-13	RED	NONE
0C90-1379-14	RED	BLUE
0C90-1379-21	AMBER	RED
0C90-1379-23	AMBER	NONE
0C90-1379-31	NONE	RED
0C90-1379-32	NONE	AMBER
0C90-1379-34	NONE	BLUE
0C90-1379-41	BLUE	RED
0C90-1379-43	BLUE	NONE



UNLESS OTHERWISE SPECIFIED DIMENSIONS ARE IN INCHES TOLERANCES ARE: X.XXX - ±0.005 X.XX - ±0.020 X.X - ±0.050 ANGLES - ±0.5°	CAD GENERATED DRAWING. DO NOT MANUALLY UPDATE		<b>WELDON TECHNOLOGIES, INC.</b>	
	APPROVALS	DATE		
MATERIAL	DRAWN <b>BARNETT</b>	1/16/12	CUSTOMER DRAWING STROBE HEAD ASSEMBLY SPLIT FILTER LENS 3800 SERIES	
FINISH	CHECKED			
DO NOT SCALE DRAWING	PROJ. NO.	00120-1	SIZE B	PART NO. C-0M10-1379-00
			SCALE: 1:1	REV. 1