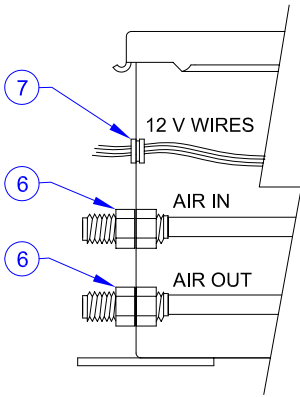
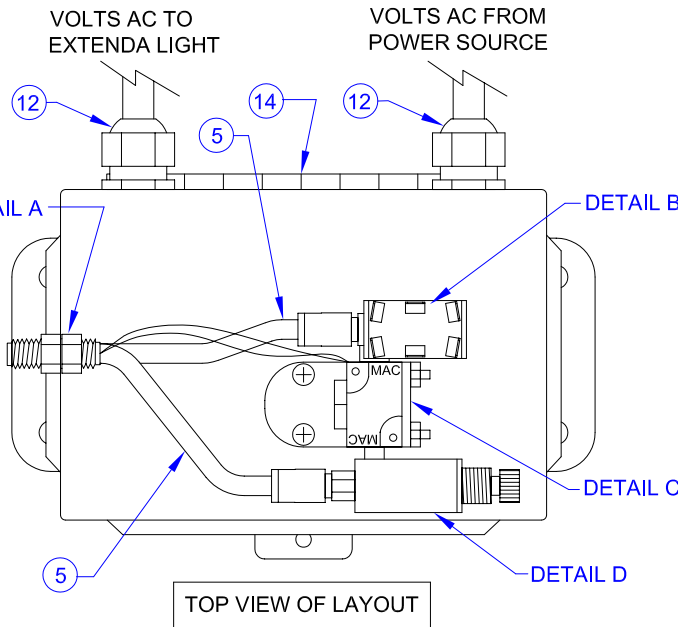


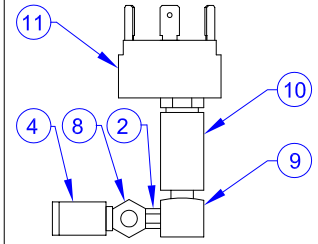
# AIR POLE CONTROL BOX



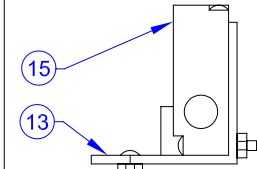
DETAIL A:  
FRONT VIEW OF  
SIDE CONNECTIONS



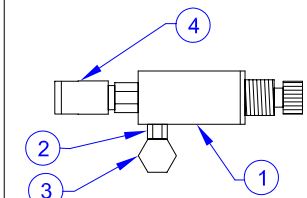
TOP VIEW OF LAYOUT



DETAIL B: FRONT VIEW OF  
PRESSURE SWITCH



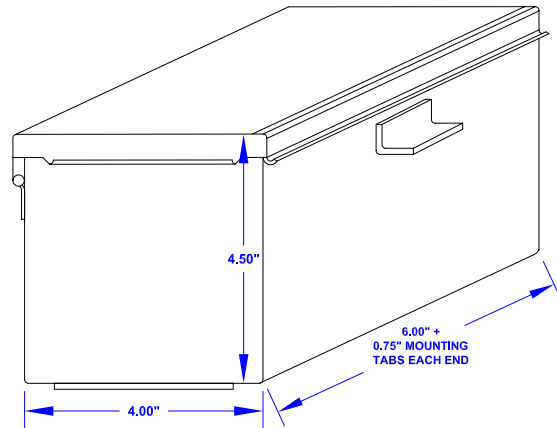
DETAIL C:  
FRONT VIEW OF  
SOLENOID AIR VALVE



DETAIL D:  
FRONT VIEW OF  
PRESSURE SWITCH

| PARTS LIST |          |                           |      |
|------------|----------|---------------------------|------|
| ITEM NO.   | PART NO. | DESCRIPTION               | QTY. |
| 1          | 489-AR   | PRESSURE REGULATOR        |      |
| 2          | 485-MC   | DBL MALE 10-32 FITTING    | 2    |
| 3          | 499-LF   | 10-32 x 1/8 L-FITTING     | 2    |
| 4          | 484-TF   | 10-32 x 1/4 TUBE FITTING  | 2    |
| 5          | 483-FT   | 1/4" OD FLEXIBLE TUBING   | 2    |
| 6          | 482-BU   | 1/4" MALE TUBE UNION      | 2    |
| 7          | 497-RG   | 3/16" RUBBER GROMMET      | 1    |
| 8          | 488-TF   | 10-32 x 1/8 NPT T-FITTING | 1    |
| 9          | 486-LF   | 10-32 L-FITTING           | 1    |
| 10         | 499-SA   | SWITCH ACTUATOR           | 1    |
| 11         | 500-SW   | SWITCH **                 | 1    |
| 12         | 127-SR   | STRAIN RELIEF             | 2    |
| 13         | 125-AB   | MAC VALVE BRACKET         | 1    |
| 14         | 493-CB   | CONTROL BOX               | 1    |
| 15         | 449-AV   | 12 VDC SOLENOID VALVE     | 1    |

\*\* NOTE: SWITCH MAY BE 490-SW UNTIL 490-SW STOCK IS DEPLETED, AFTER WHICH ONLY 500-SW WILL BE USED.



ISO-9001 CERTIFIED



**Akron Brass Company**  
A Premier Farnell Company

501 N. Cummings Lane, Washington, IL 61571  
Phone: (309)444-4440 Fax: (309)444-8766