



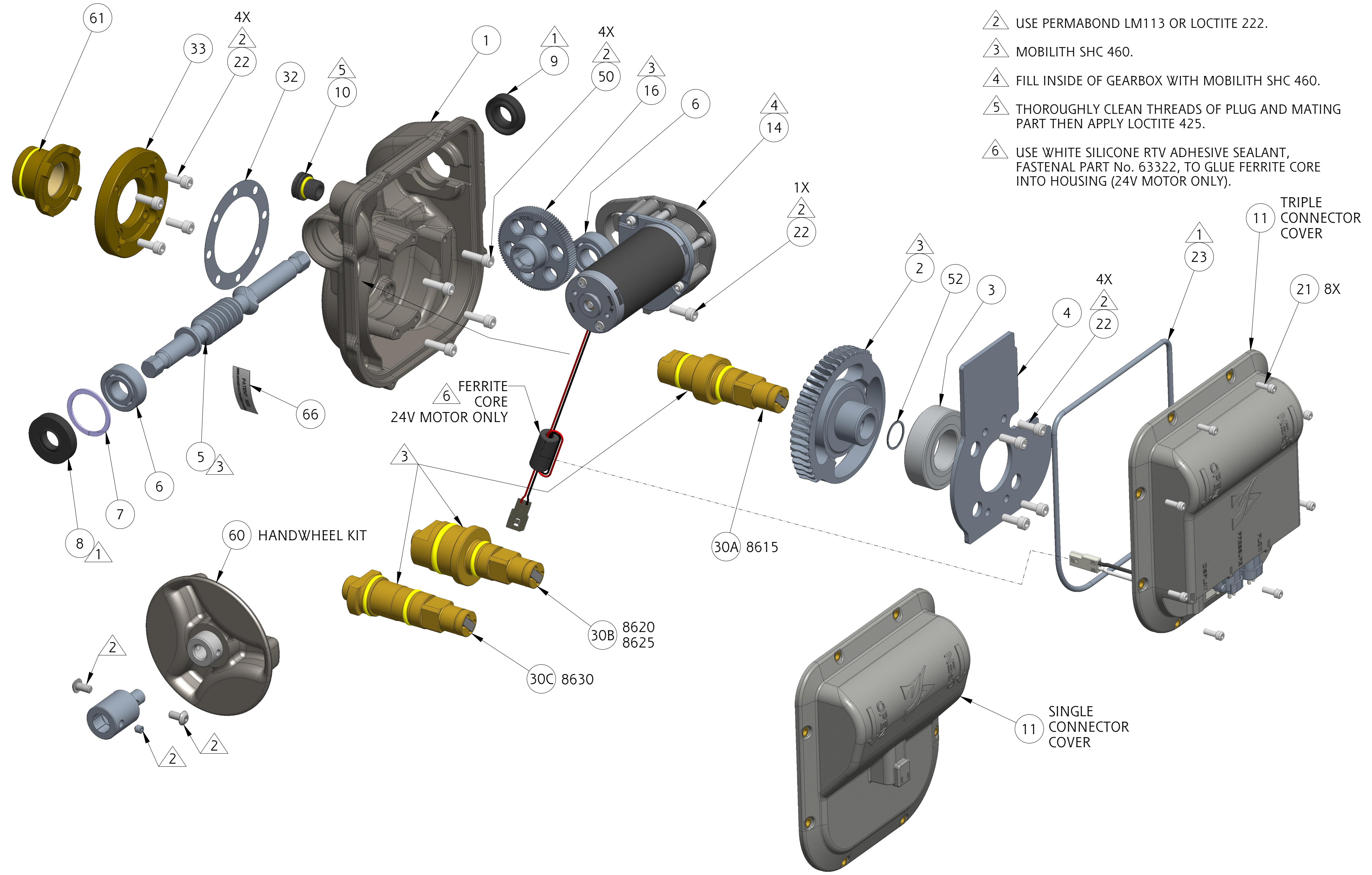
TECHNICAL SERVICE PARTS  
 STYLE 8615 8620 8625 8630 8635  
 PRODUCT ELECTRIC ACTUATED BALL VALVE

IF AN ITEM IS NOTED AS "NOT FIELD REPAIRABLE", OR YOU WISH TO RETURN AN ITEM TO AKRON BRASS FOR SERVICE PLEASE GO ONLINE TO, [ONLINEREPAIR.AKRONBRASS.COM](http://ONLINEREPAIR.AKRONBRASS.COM)

Chg.	Date
04	07-22
05	05-23

ASSEMBLY NOTES:

- 1 USE PARKER O-LUBE ON ALL O-RINGS AND MATING SURFACES UNLESS OTHERWISE NOTED.
- 2 USE PERMABOND LM113 OR LOCTITE 222.
- 3 MOBILITH SHC 460.
- 4 FILL INSIDE OF GEARBOX WITH MOBILITH SHC 460.
- 5 THOROUGHLY CLEAN THREADS OF PLUG AND MATING PART THEN APPLY LOCTITE 425.
- 6 USE WHITE SILICONE RTV ADHESIVE SEALANT, FASTENAL PART No. 63322, TO GLUE FERRITE CORE INTO HOUSING (24V MOTOR ONLY).



PHONE: 800.228.1161 | [www.akronbrass.com](http://www.akronbrass.com)

WARRANTY AND DISCLAIMER\*: We warrant Akron Brass products for a period of five (5) years\* after purchase against defects in materials or workmanship. Akron Brass will repair or replace product which fails to satisfy this warranty. Repair or replacement shall be at the discretion of Akron Brass. Products must be promptly returned to Akron Brass for warranty service. We will not be responsible for: wear and tear; any improper installation, use, maintenance or storage; negligence of the owner or user; repair or modification after delivery; failure to follow our instructions or recommendations; or anything else beyond our control. WE MAKE NO WARRANTIES, EXPRESS OR IMPLIED, OTHER THAN THOSE INCLUDED IN THIS WARRANTY STATEMENT, AND WE DISCLAIM ANY IMPLIED WARRANTY OF MERCHANTABILITY OR FITNESS FOR ANY PARTICULAR PURPOSE. Further, we will not be responsible for any consequential, incidental or indirect damages (including, but not limited to, any loss of profits) from any cause whatsoever. No person has authority to change this warranty. \*Unless otherwise provided herein. Akron Brass industrial electronic components & the Severe-Duty Monitor have a one (1) year warranty. Select Akron Brass handline nozzles and valves carry a ten (10) year warranty. Scene Star Lights carry a (6) year warranty. Weldon products have a two (2) year warranty from date of manufacture (excluding consumable components). Select Weldon LED products carry a five (5) year warranty. Honda products have the manufacturers' warranty and Akron Brass disclaims any warranty in respect of those products.  
 © 2016 Akron Brass Company. All rights reserved. No portion of this can be reproduced without the express written consent of the Akron Brass Company.

Parts List Sheet:  
 127891  
 D48943



TECHNICAL SERVICE PARTS

STYLE 8615 8620 8625 8630 8635

PRODUCT ELECTRIC ACTUATED BALL VALVE

IF AN ITEM IS NOTED AS "NOT FIELD REPAIRABLE", OR YOU WISH TO RETURN AN ITEM TO AKRON BRASS FOR SERVICE PLEASE GO ONLINE TO, **ONLINEREPAIR.AKRONBRASS.COM**

Chg.	Date
04	07-22
05	05-23

Find	Description	Item	Qty
1	HOUSING GEAR	127900	1
2	GEAR WORM	127638	1
3	BALL BEARING - 1 X 2 X 9/16	803411	1
4	PLATE BEARING RETAINER	743017	1
5	SHAFT WORM	770493	1
6	BEARING BALL - 1/2 X 1-1/8 X 3/8	703919	2
7	RING RETAINING	758308	1
8	* SEAL LIP - 1/2 X 1-1/4	770495	1
9	* SEAL LIP - 1/2 X 1	769718	1
10	VENT	779083	1
11	ELECTRIC VALVE COVER (TRIPLE CONNECTOR) WITH CAN	60640003	1
11	ELECTRIC VALVE COVER (SINGLE CONNECTOR) LESS CAN	60640004	1
14	GEAR BOX/MOTOR 12V	86258003	1
14	GEAR BOX/MOTOR 24V	86258004	1
16	SPUR GEAR	718331	1
21	SCREW SOCKET HEAD CAP LOC WELL 6-32 X 3/8"	765027	8
22	** SCREW SOCKET HEAD CAP 10-24 X 1/2"	763038	9
23	O-RING 2-255	757338	1
30A	TRUNNION S/A 8615	127897	1
30B	TRUNNION S/A 8620, 8625	127898	1
30C	TRUNNION S/A 8630, 8635	127899	1
32	SPACER INSULATION	770395	1
33	PLATE ADAPTER 8615 (1-1/2" BALL VALVE ONLY)	742269	1
50	SCREW SOCKET HEAD CAP 10-24 X 5/8"	765028	4
52	RETAINING RING	756223	1
60	HANDWHEEL KIT	86258005	1
61	TRUNNION SLEEVE S/A (3" AND 3-1/2" BALL VALVES ONLY)	86308025	1
66	PATENT LABEL	729914	1

- \* INCLUDED WITH GEAR BOX/MOTOR KITS
- \*\* A QUANTITY OF 5 IS REQUIRED FOR 8620, 8625, 8630, 8635

PHONE: 800.228.1161 | [www.akronbrass.com](http://www.akronbrass.com)

Parts List Sheet:

127891

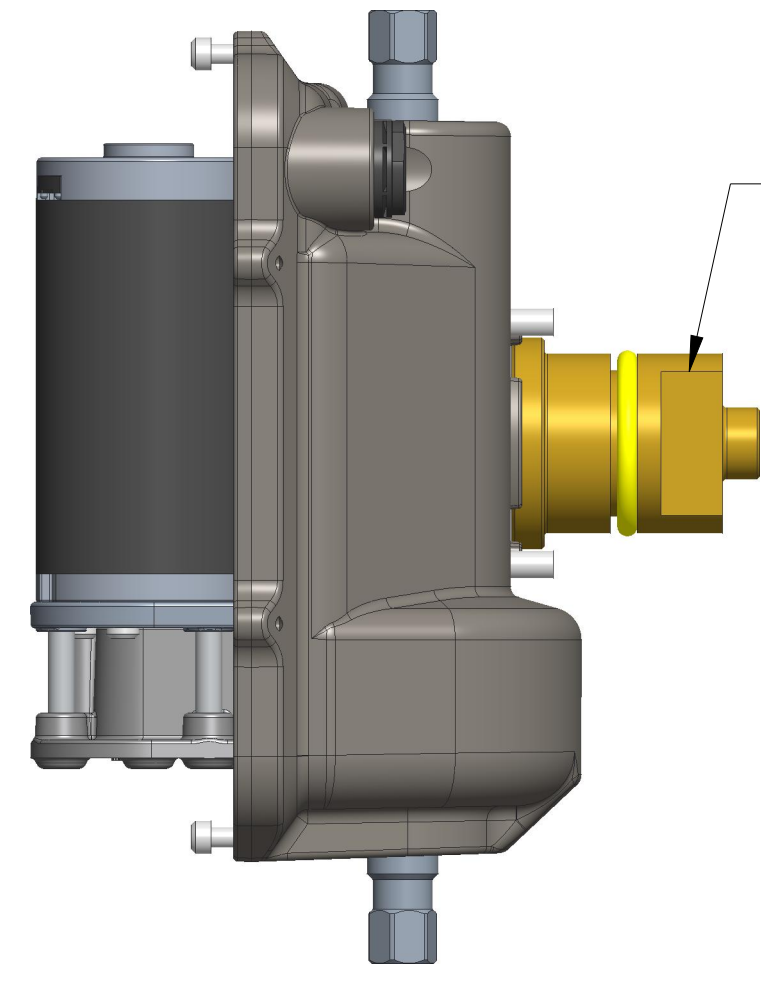
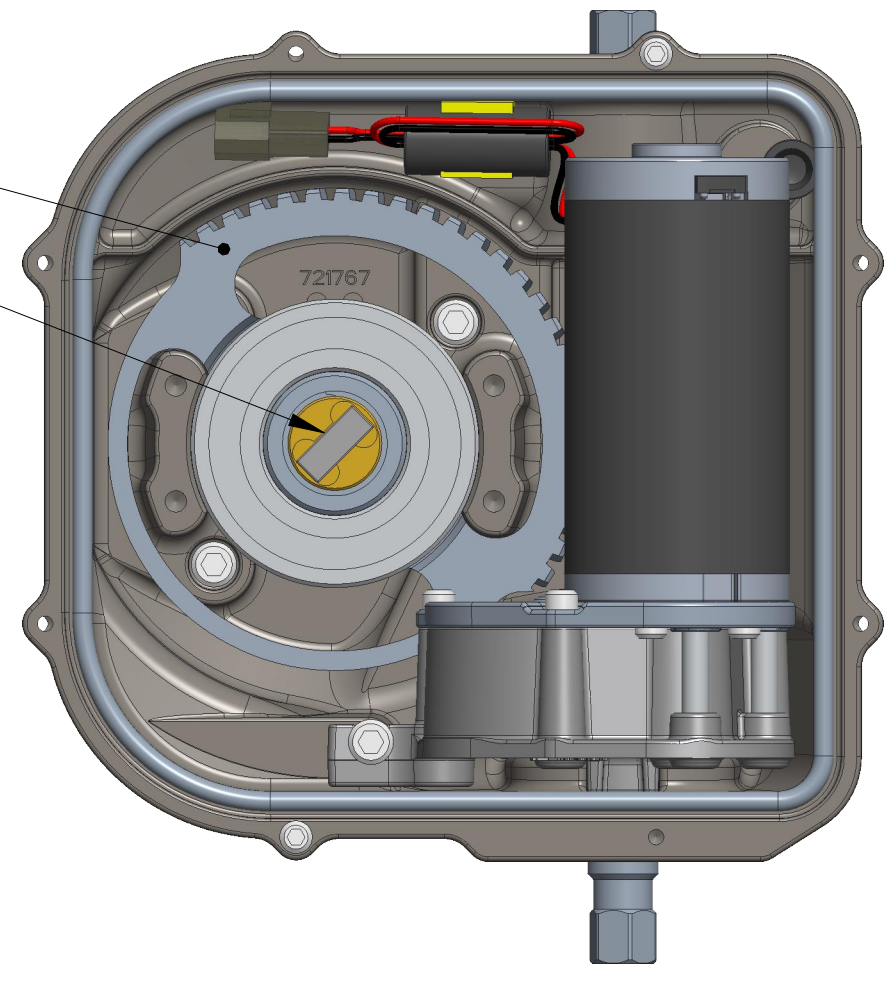
WARRANTY AND DISCLAIMER\*: We warrant Akron Brass products for a period of five (5) years\* after purchase against defects in materials or workmanship. Akron Brass will repair or replace product which fails to satisfy this warranty. Repair or replacement shall be at the discretion of Akron Brass. Products must be promptly returned to Akron Brass for warranty service. We will not be responsible for: wear and tear; any improper installation, use, maintenance or storage; negligence of the owner or user; repair or modification after delivery; failure to follow our instructions or recommendations; or anything else beyond our control. WE MAKE NO WARRANTIES, EXPRESS OR IMPLIED, OTHER THAN THOSE INCLUDED IN THIS WARRANTY STATEMENT, AND WE DISCLAIM ANY IMPLIED WARRANTY OF MERCHANTABILITY OR FITNESS FOR ANY PARTICULAR PURPOSE. Further, we will not be responsible for any consequential, incidental or indirect damages (including, but not limited to, any loss of profits) from any cause whatsoever. No person has authority to change this warranty. \*Unless otherwise provided herein. Akron Brass industrial electronic components & the Severe-Duty Monitor have a one (1) year warranty. Select Akron Brass handline nozzles and valves carry a ten (10) year warranty. Scene Star Lights carry a (6) year warranty. Weldon products have a two (2) year warranty from date of manufacture (excluding consumable components). Select Weldon LED products carry a five (5) year warranty. Honda products have the manufacturers' warranty and Akron Brass disclaims any warranty in respect of those products.

© 2016 Akron Brass Company. All rights reserved. No portion of this can be reproduced without the express written consent of the Akron Brass Company.

D48943

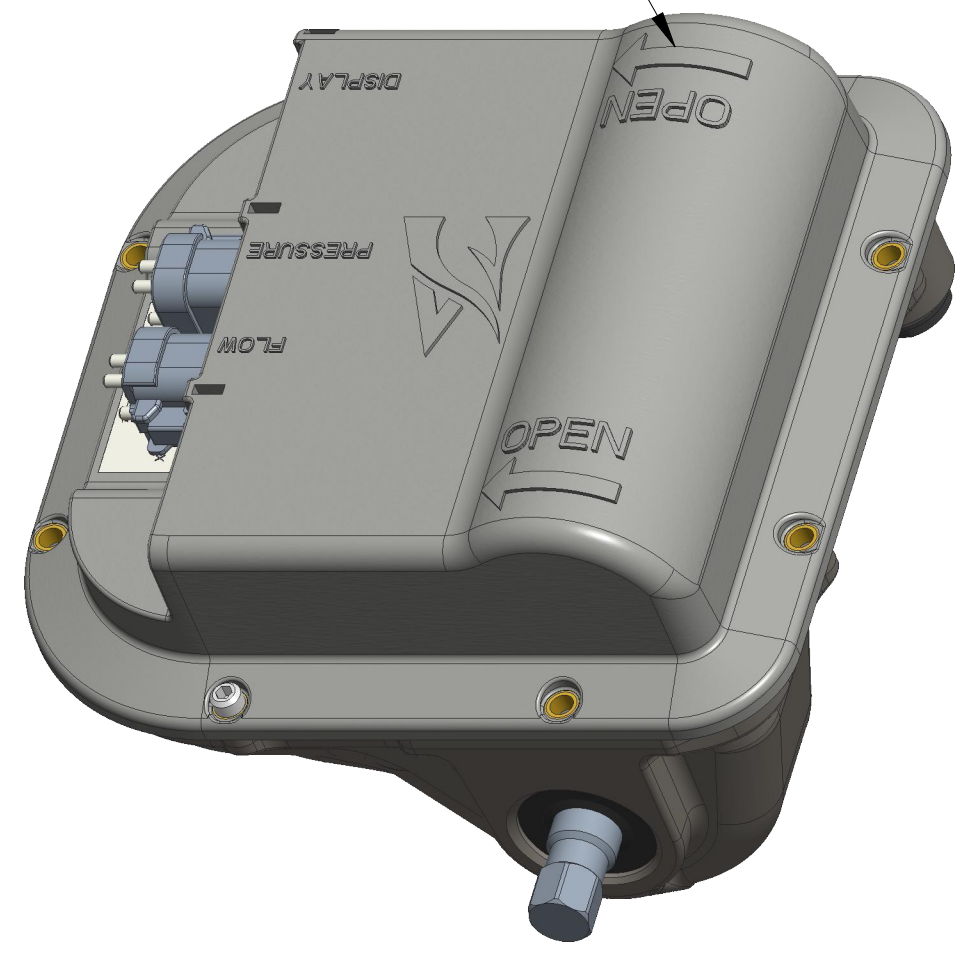
POSITION A-C

SECTOR GEAR IN FULL OPEN POSITION  
 POSITION A & C MAGNET ORIENTATION



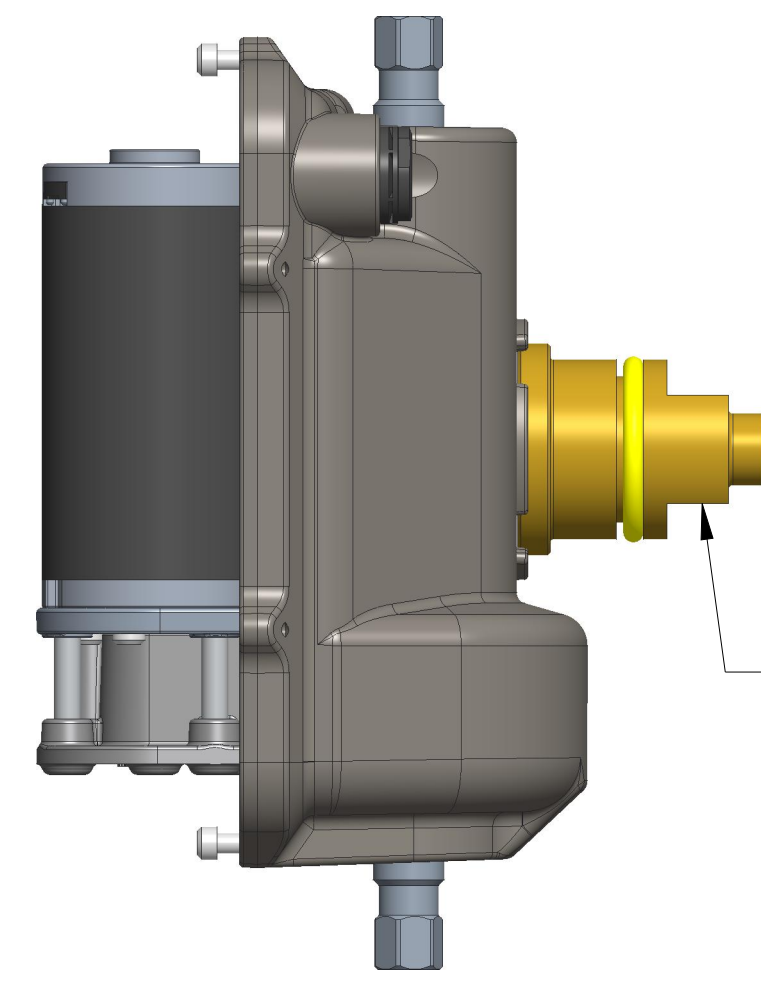
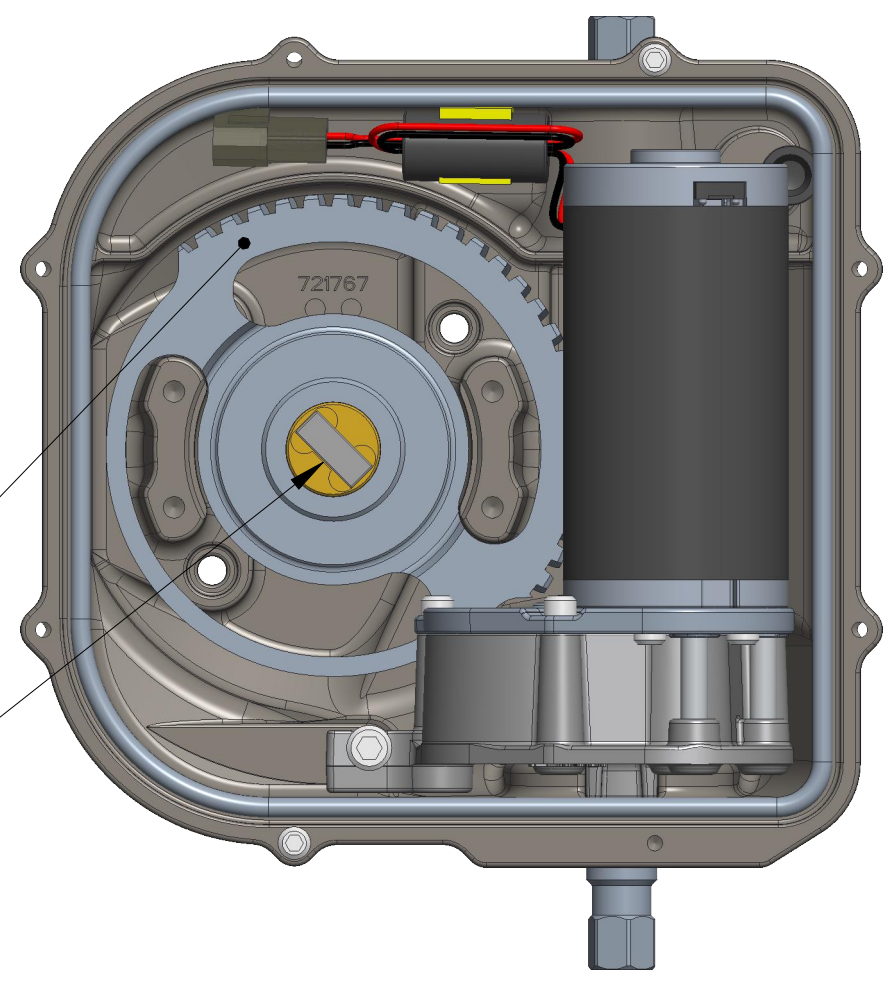
TRUNNION FLAT ORIENTATION WITH SECTOR GEAR IN OPEN POSITION FOR POSITION A & C.

ALL ACTUATORS ARE SHOWN IN THE OPEN POSITION. THE TOP ENCLOSURE SHOWS THE DIRECTION TO ROTATE OVERRIDE TO CHECK FOR FULL OPEN.

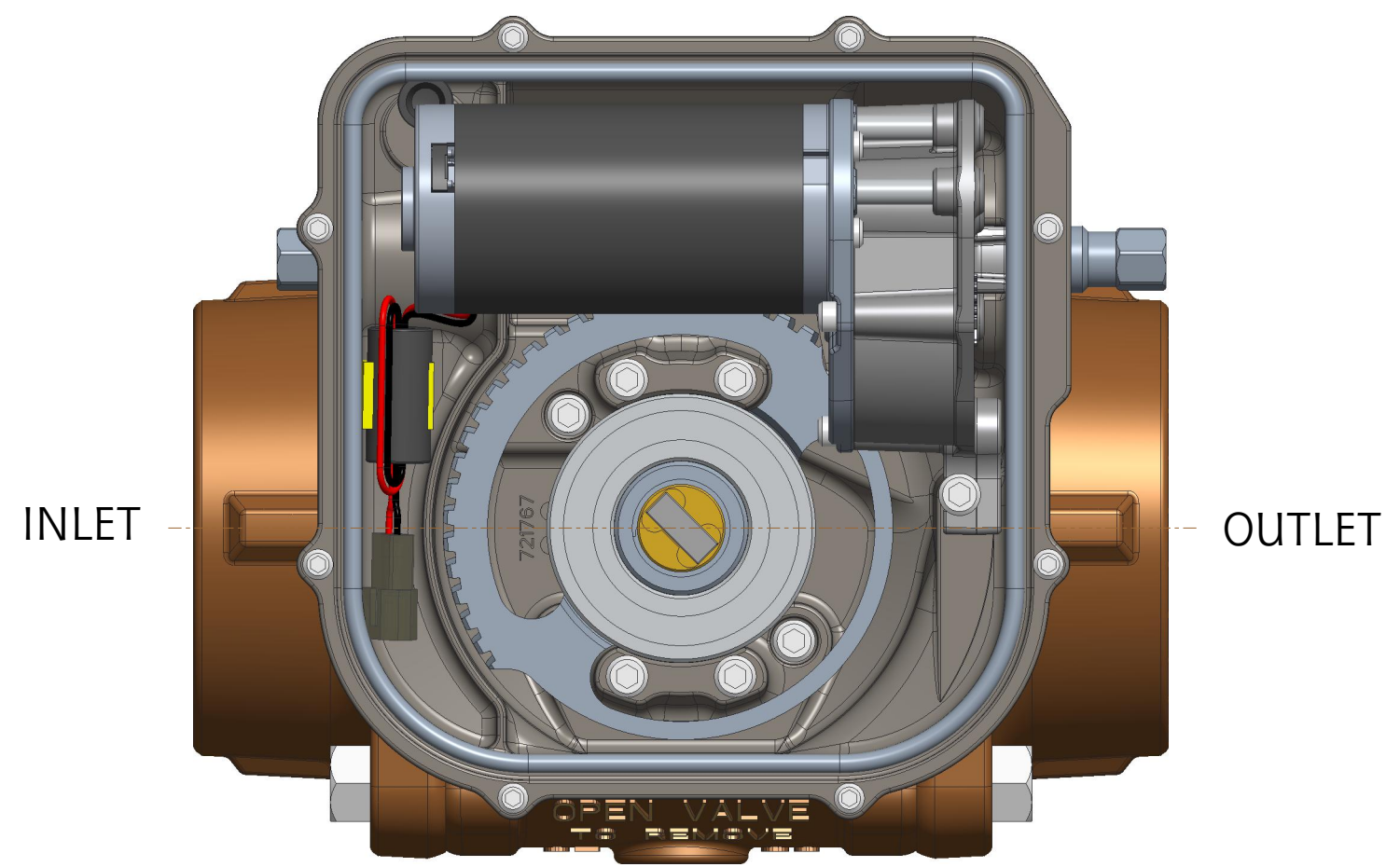


POSITION B-D

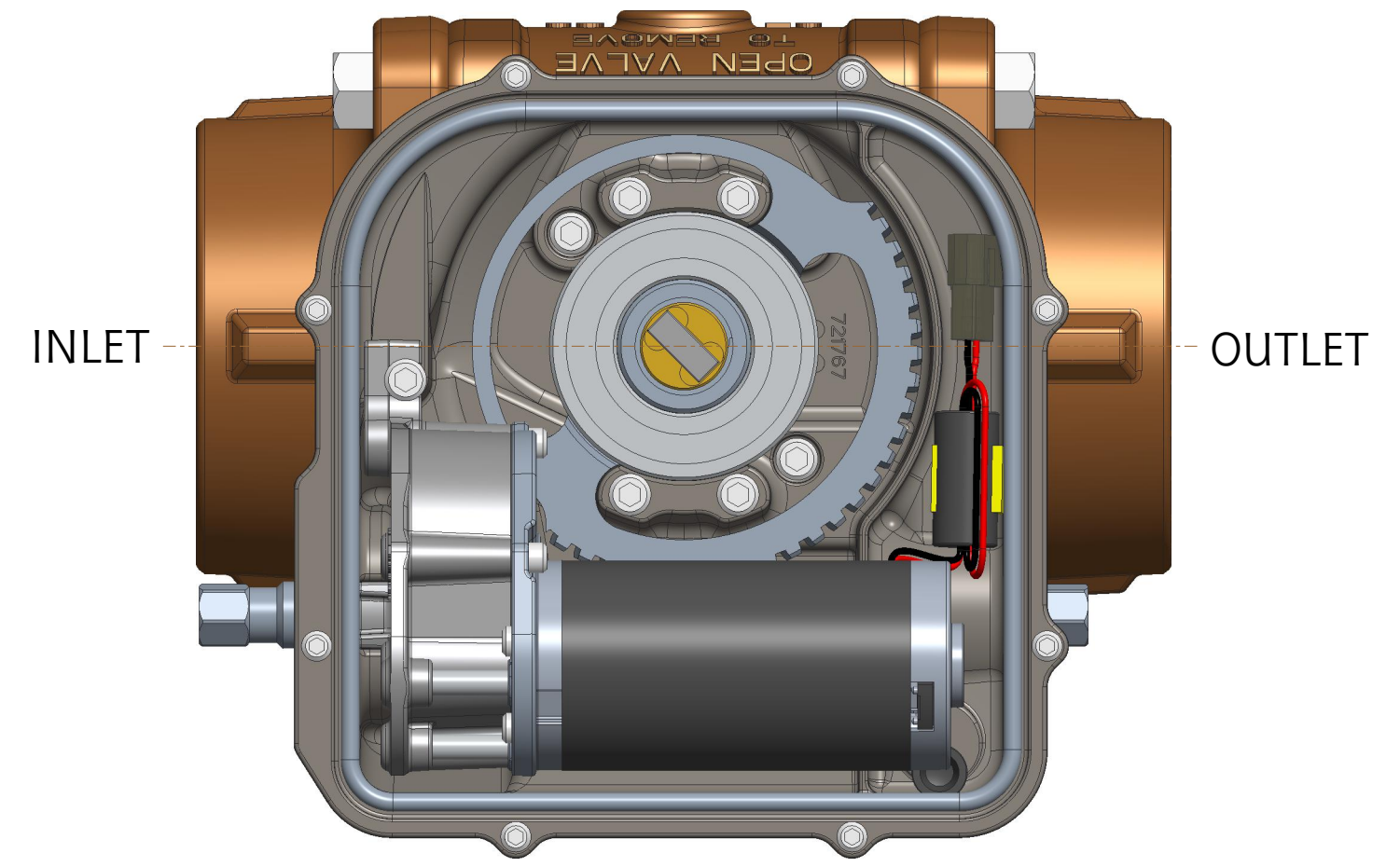
SECTOR GEAR IN FULL OPEN POSITION  
 POSITION B & D MAGNET ORIENTATION



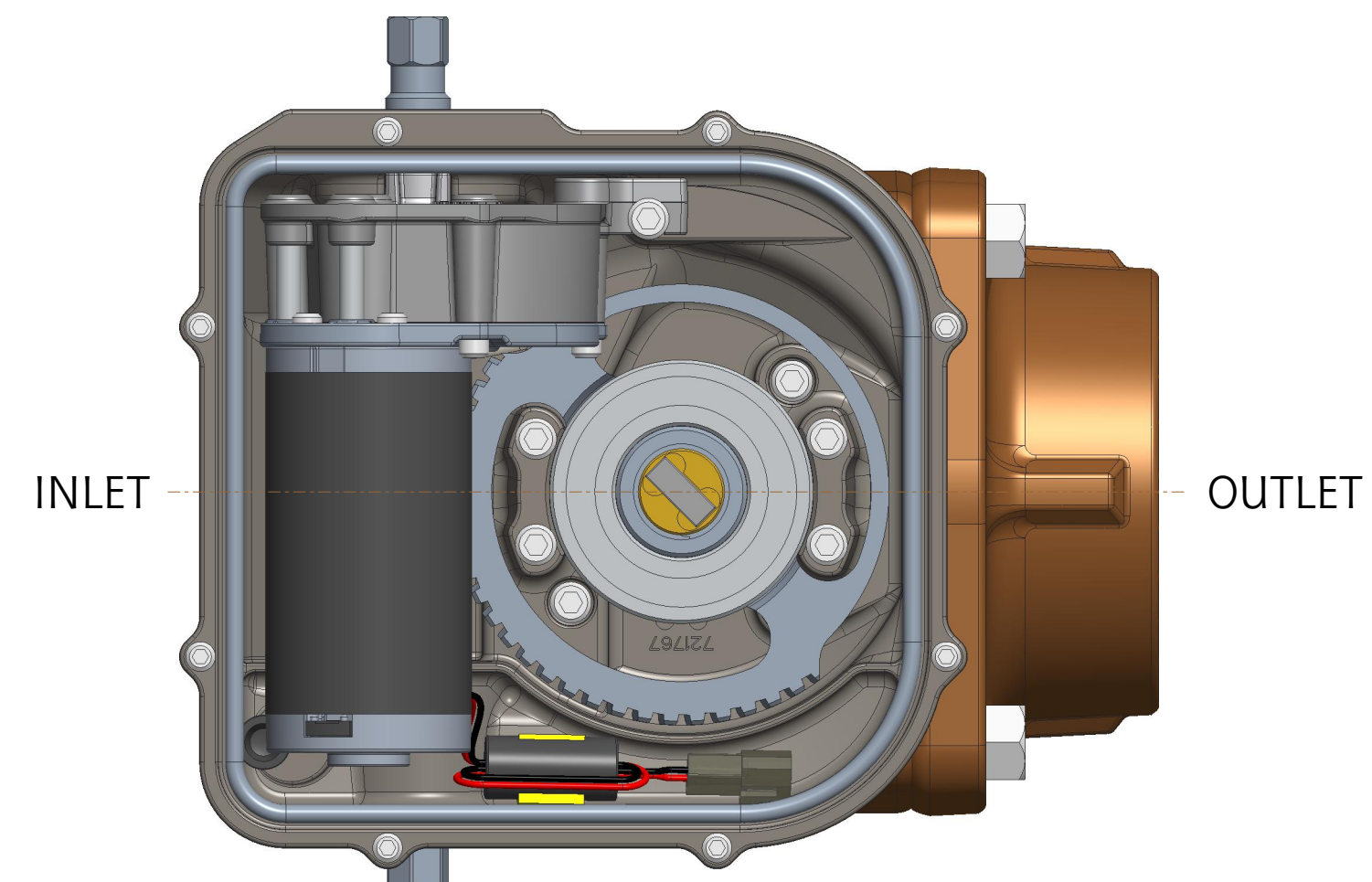
TRUNNION FLAT ORIENTATION WITH SECTOR GEAR IN OPEN POSITION FOR POSITION B & D.



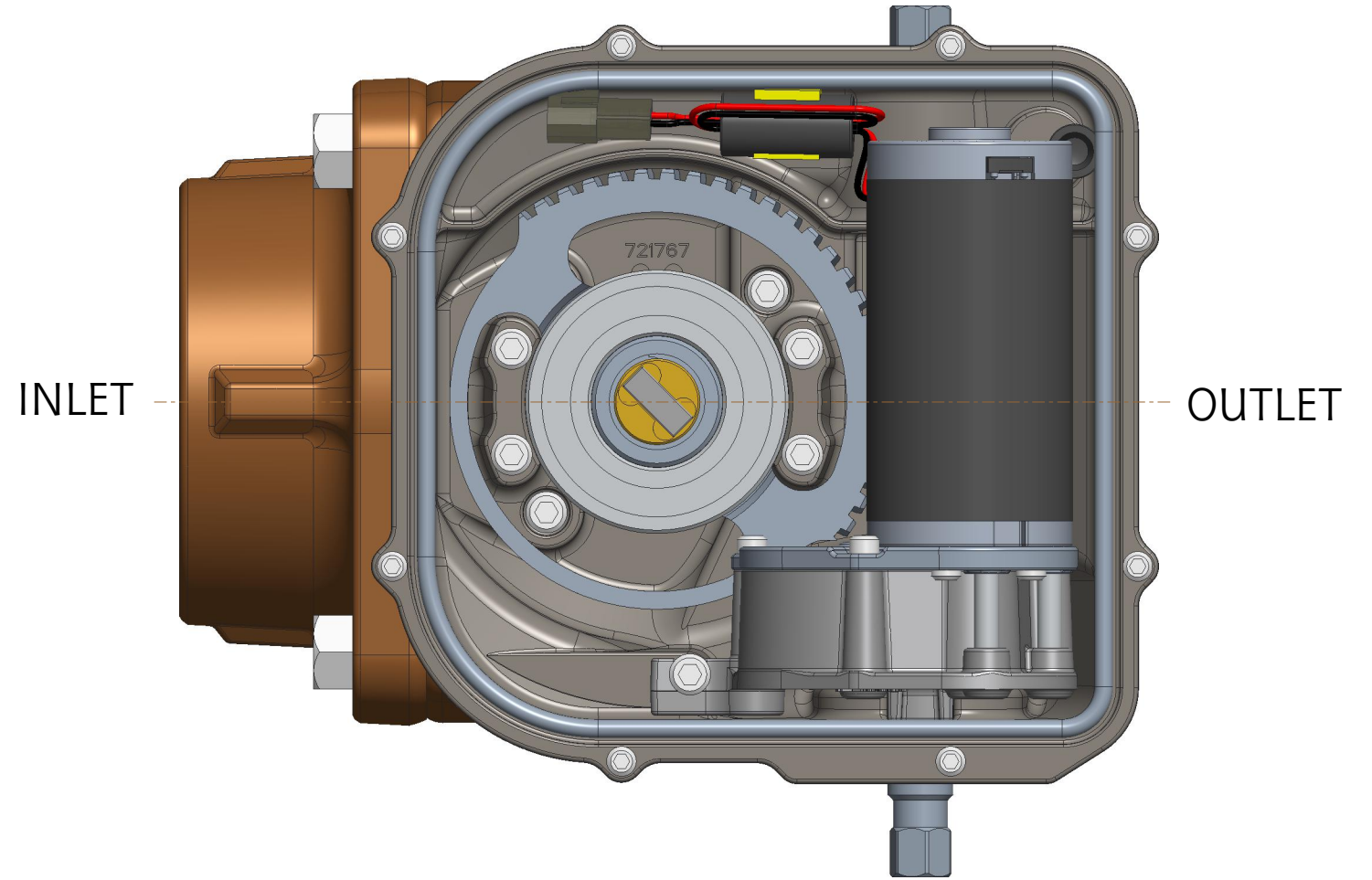
POSITION A



POSITION C



POSITION B



POSITION D

BALL IS IN OPEN POSITION.  
 VERIFY ACTUATOR IS IN OPEN POSITION.  
 ADAPTERS SHOWN FOR CLARITY.