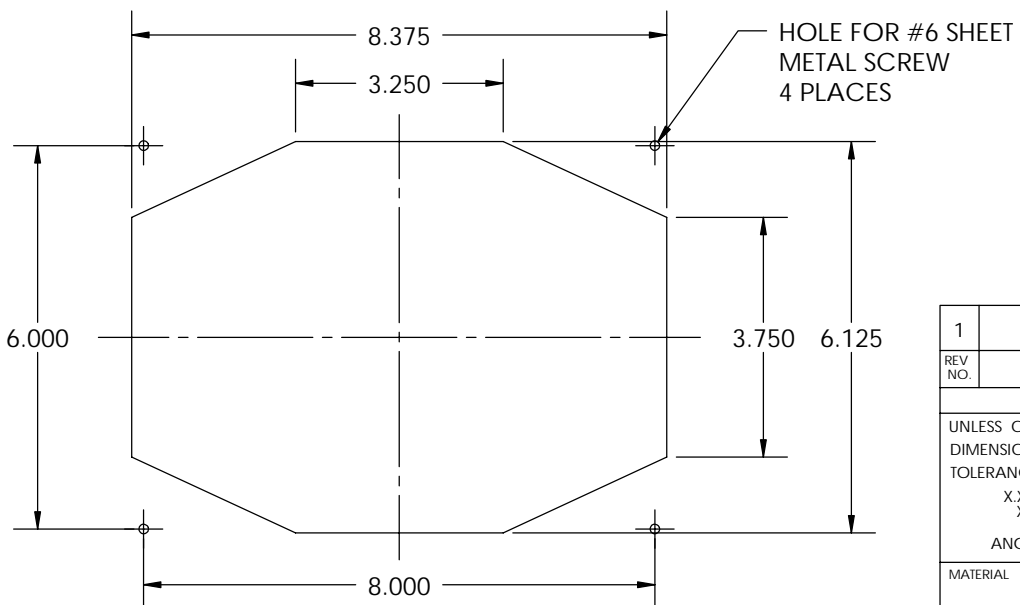
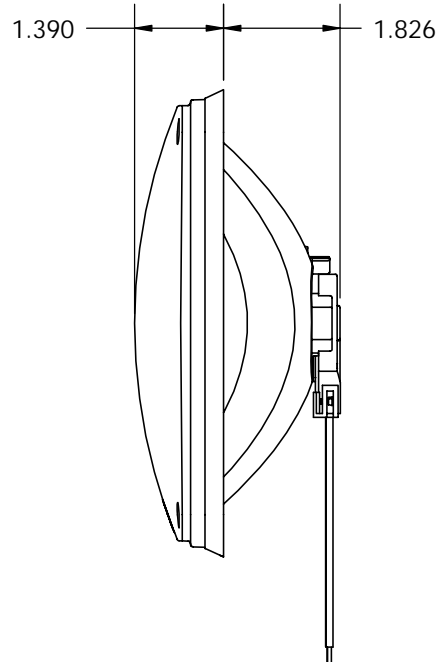
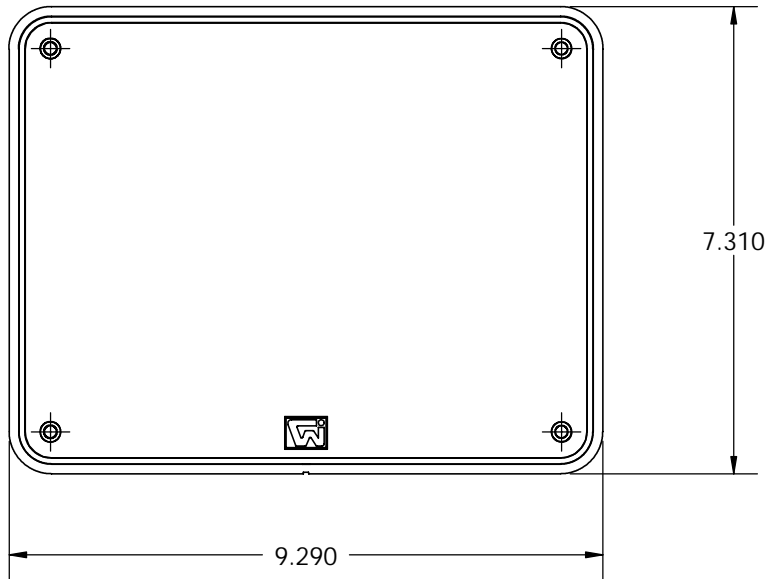


THIS DRAWING AND ALL INFORMATION CONTAINED HEREIN IS THE PROPERTY OF WELDON TECHNOLOGIES, INC. AND MAY NOT BE COPIED, REPRODUCED, OR DEVULGED TO UNAUTHORIZED PERSONS WITHOUT THE EXPRESS WRITTEN CONSENT OF WELDON TECHNOLOGIES, INC. AS IT IS BEING PROVIDED SOLELY FOR THE CONVENIENCE OF THE USER AND SHALL BE RETURNED TO WELDON TECHNOLOGIES, INC UPON REQUEST.



**RECOMMENDED PANEL CUT-OUT**

|   |         |        |   |                          |  |          |
|---|---------|--------|---|--------------------------|--|----------|
| 1   | --      | 2/1/01 | RELEASE FOR REFERENCE                         |                          | TB   |          |
| REV NO.   | ECO NO. | DATE   | DESCRIPTION                                   |                          | REV BY   | CKD BY   |
| PARTS LIST  |         |        |   |                          |  |          |
| UNLESS OTHERWISE SPECIFIED DIMENSIONS ARE IN INCHES TOLERANCES ARE: |         |        | CAD GENERATED DRAWING, DO NOT MANUALLY UPDATE |                          | <b>Weldon Technologies, Inc.</b><br><br>7800 SERIES<br>PANEL MOUNT |          |
| X.XXX - ±0.005  |         |        | APPROVALS                                     | DATE                     |  |          |
| X.XX - ±0.020   |         |        | DRAWN<br>BARNETT                              | 2/1/01                   |  |          |
| X.X - ±0.050  |         |        | CHECKED                                       |                          |  |          |
| ANGLES - ±0.5°  |         |        | QUAL ENG                                      |                          | 878X1 SERIES   |          |
| MATERIAL  |         |        | MFG ENG                                       |                          |  |          |
| FINISH  |         |        |   |                          | SIZE<br>A  | PART NO. |
| DO NOT SCALE DRAWING  |         |        | PROJ. NO.                                     | 00120-2                  |  |          |
|   |         |        | SCALE: 1:3                                    | WELDON COMPUTER GRAPHICS | SHEET 1 OF 1   |          |