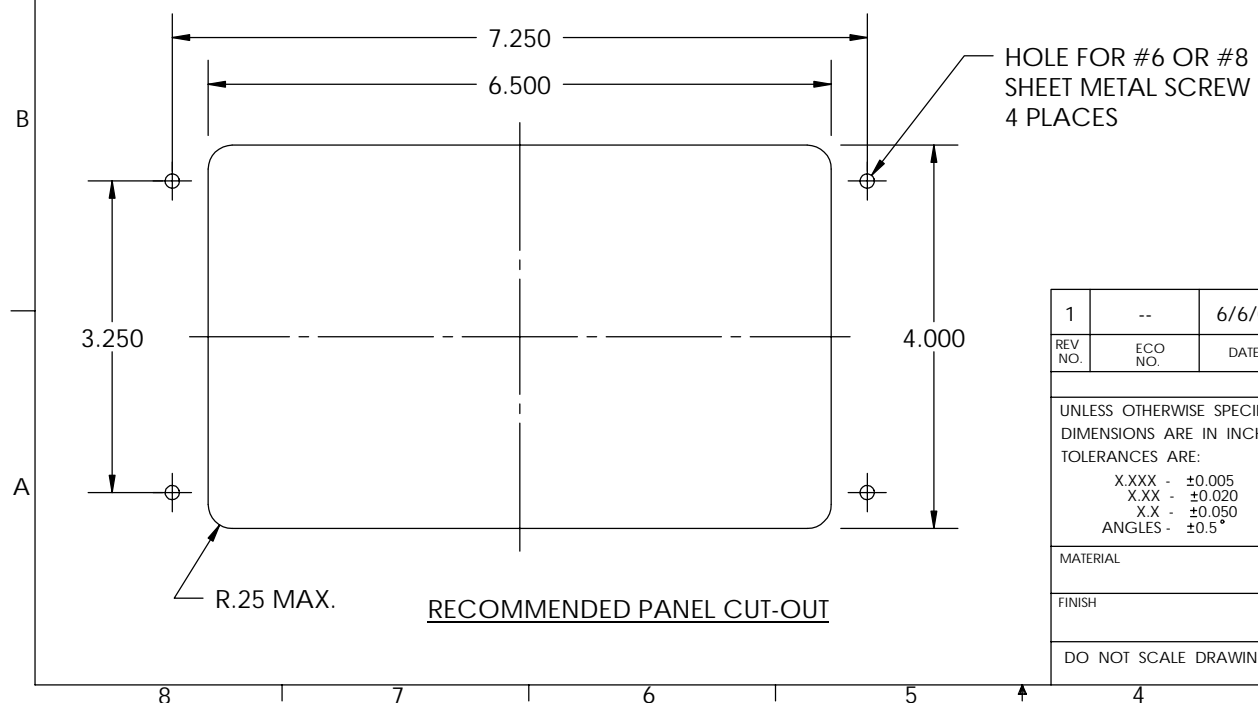
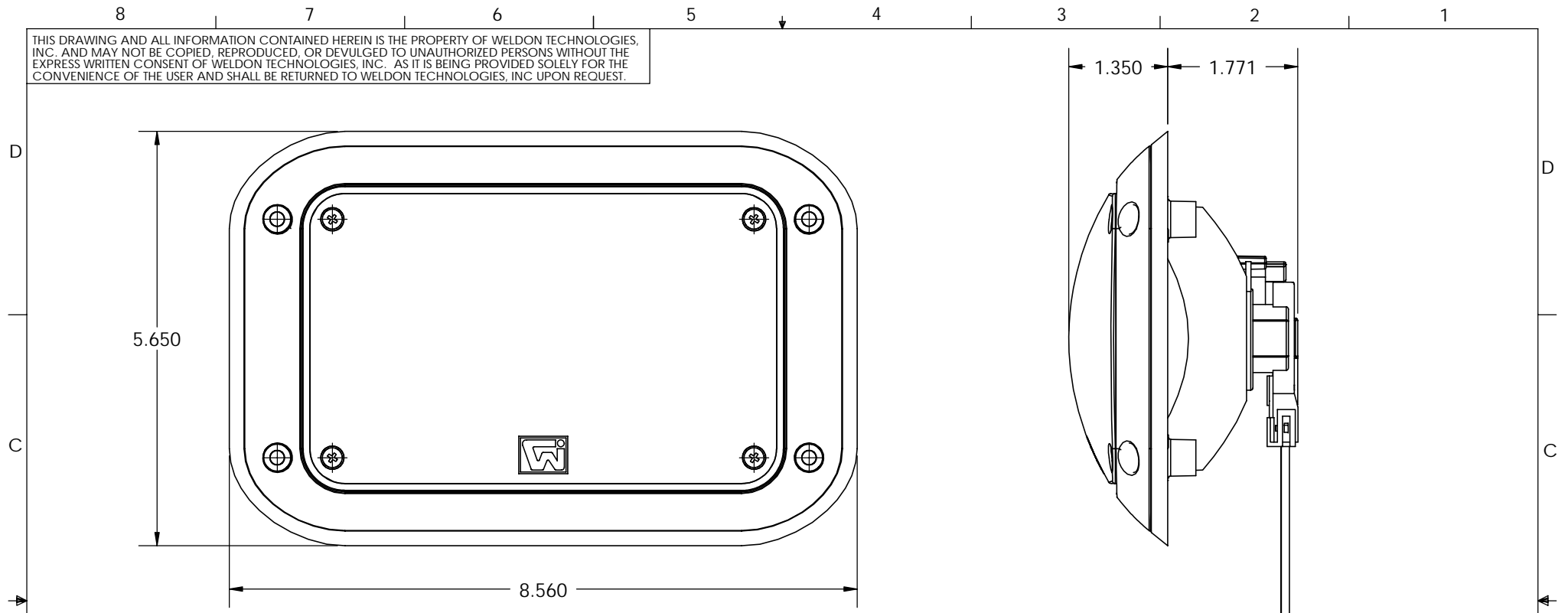


THIS DRAWING AND ALL INFORMATION CONTAINED HEREIN IS THE PROPERTY OF WELDON TECHNOLOGIES, INC. AND MAY NOT BE COPIED, REPRODUCED, OR DEVULGED TO UNAUTHORIZED PERSONS WITHOUT THE EXPRESS WRITTEN CONSENT OF WELDON TECHNOLOGIES, INC. AS IT IS BEING PROVIDED SOLELY FOR THE CONVENIENCE OF THE USER AND SHALL BE RETURNED TO WELDON TECHNOLOGIES, INC UPON REQUEST.



1	--	6/6/00	RELEASE FOR REFERENCE	TB	
REV NO.	ECO NO.	DATE	DESCRIPTION	REV BY	CKD BY
PARTS LIST					
UNLESS OTHERWISE SPECIFIED DIMENSIONS ARE IN INCHES TOLERANCES ARE: X.XXX - ±0.005 X.XX - ±0.020 X.X - ±0.050 ANGLES - ±0.5°			CAD GENERATED DRAWING, DO NOT MANUALLY UPDATE		Weldon Technologies, Inc. 4600 SERIES BEZEL MOUNT
APPROVALS		DATE			
DRAWN BARNETT		6/6/00			
CHECKED					
MATERIAL			QUAL ENG		46X2 SERIES
FINISH			MFG ENG		
DO NOT SCALE DRAWING			PROJ. NO. 00111		
SIZE A		PART NO. 46X2 SERIES		REV.	
SCALE: 1:2		WELDON COMPUTER GRAPHICS		SHEET 1 OF 1	