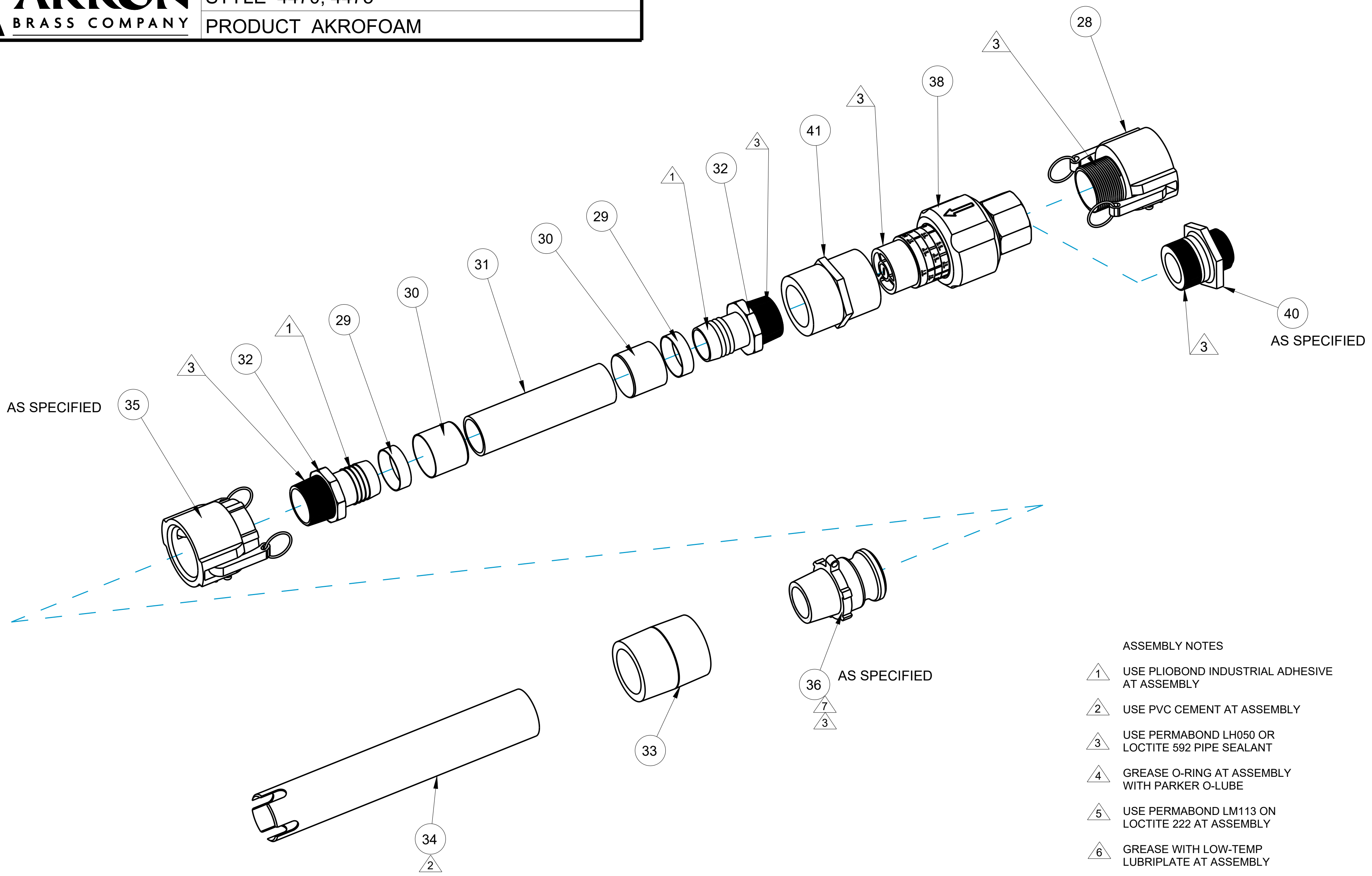




TECHNICAL SERVICE PARTS
 STYLE 4470, 4475
 PRODUCT AKROFOAM

IF AN ITEM IS NOTED AS "NOT FIELD REPAIRABLE", OR YOU WISH TO RETURN AN ITEM TO AKRON BRASS FOR SERVICE PLEASE GO ONLINE TO, ONLINEREPAIR.AKRONBRASS.COM

Chg.	Date
02	12-13
03	05-20



- ASSEMBLY NOTES**
- 1 USE PLOIBOND INDUSTRIAL ADHESIVE AT ASSEMBLY
 - 2 USE PVC CEMENT AT ASSEMBLY
 - 3 USE PERMABOND LH050 OR LOCTITE 592 PIPE SEALANT
 - 4 GREASE O-RING AT ASSEMBLY WITH PARKER O-LUBE
 - 5 USE PERMABOND LM113 ON LOCTITE 222 AT ASSEMBLY
 - 6 GREASE WITH LOW-TEMP LUBRIPLATE AT ASSEMBLY
 - 7 DO NOT CONNECT ITEM TO METERING HEAD
 - 8 USE PERMABOND 737 (BLACK MAGIC)

PHONE: 330.264.5678 or 800.228.1161 | FAX: 330.264.2944 or 800.531.7335 | www.akronbrass.com

WARRANTY AND DISCLAIMER*: We warrant Akron Brass products for a period of five (5) years* after purchase against defects in materials or workmanship. Akron Brass will repair or replace product which fails to satisfy this warranty. Repair or replacement shall be at the discretion of Akron Brass. Products must be promptly returned to Akron Brass for warranty service. We will not be responsible for: wear and tear; any improper installation, use, maintenance or storage; negligence of the owner or user; repair or modification after delivery; failure to follow our instructions or recommendations; or anything else beyond our control. **WE MAKE NO WARRANTIES, EXPRESS OR IMPLIED, OTHER THAN THOSE INCLUDED IN THIS WARRANTY STATEMENT, AND WE DISCLAIM ANY IMPLIED WARRANTY OF MERCHANTABILITY OR FITNESS FOR ANY PARTICULAR PURPOSE.** Further, we will not be responsible for any consequential, incidental or indirect damages (including, but not limited to, any loss of profits) from any cause whatsoever. No person has authority to change this warranty. *Unless otherwise provided herein. Akron Brass industrial electronic components & the Severe-Duty Monitor have a one (1) year warranty. Select Akron Brass handline nozzles and valves carry a ten (10) year warranty. Scene Star Lights carry a (6) year warranty. Weldon products have a two (2) year warranty from date of manufacture (excluding consumable components). Select Weldon LED products carry a five (5) year warranty. Honda products have the manufacturers' warranty and Akron Brass disclaims any warranty in respect of those products.

Parts List Sheet:
124359
 D46352



TECHNICAL SERVICE PARTS

STYLE 4470, 4475

PRODUCT AKROFOAM

IF AN ITEM IS NOTED AS "NOT FIELD REPAIRABLE", OR YOU WISH TO RETURN AN ITEM TO AKRON BRASS FOR SERVICE PLEASE GO ONLINE TO, **ONLINEREPAIR.AKRONBRASS.COM**

Chg.	Date
02	12-13
03	05-20

FIND	DESCRIPTION	ITEM	QTY
28	CAM LOCK CONNECTOR FEMALE	807014	1
29	HOSE CLAMP	707166#	2
30	SHRINK TUBING 2" LONG	772325	2
31	PICKUP HOSE -10 FT	721242	1
31	PICKUP HOSE -5 FT	721687	1
32	HOSE CONNECTOR	707159	2
33	COUPLING ADAPTER	707268	1
34	PICKUP TUBE	772118	1
35	CAM LOCK CONNECTOR-FEMALE	707965	1
36	CAM LOCK CONNECTOR-MALE	707966	1
38	METERING HEAD 350-1000 GPM	44750005	1
38	METERING HEAD 1325-3800 LPM	44750007	1
40	ADAPTER METERING HEAD	121219	1
41	FITTING 1 1/2 NPT X 1 1/2 NPT	713222	1

SPECIAL TOOL REQUIRED TO ASSEMBLE

PHONE: 330.264.5678 or 800.228.1161 | FAX: 330.264.2944 or 800.531.7335 | www.akronbrass.com

WARRANTY AND DISCLAIMER*: We warrant Akron Brass products for a period of five (5) years* after purchase against defects in materials or workmanship. Akron Brass will repair or replace product which fails to satisfy this warranty. Repair or replacement shall be at the discretion of Akron Brass. Products must be promptly returned to Akron Brass for warranty service. We will not be responsible for: wear and tear; any improper installation, use, maintenance or storage; negligence of the owner or user; repair or modification after delivery; failure to follow our instructions or recommendations; or anything else beyond our control. WE MAKE NO WARRANTIES, EXPRESS OR IMPLIED, OTHER THAN THOSE INCLUDED IN THIS WARRANTY STATEMENT, AND WE DISCLAIM ANY IMPLIED WARRANTY OF MERCHANTABILITY OR FITNESS FOR ANY PARTICULAR PURPOSE. Further, we will not be responsible for any consequential, incidental or indirect damages (including, but not limited to, any loss of profits) from any cause whatsoever. No person has authority to change this warranty. *Unless otherwise provided herein. Akron Brass industrial electronic components & the Severe-Duty Monitor have a one (1) year warranty. Select Akron Brass handline nozzles and valves carry a ten (10) year warranty. Scene Star Lights carry a (6) year warranty. Weldon products have a two (2) year warranty from date of manufacture (excluding consumable components). Select Weldon LED products carry a five (5) year warranty. Honda products have the manufacturers' warranty and Akron Brass disclaims any warranty in respect of those products.

© 2016 Akron Brass Company. All rights reserved. No portion of this can be reproduced without the express written consent of the Akron Brass Company.

Parts List Sheet:

124359