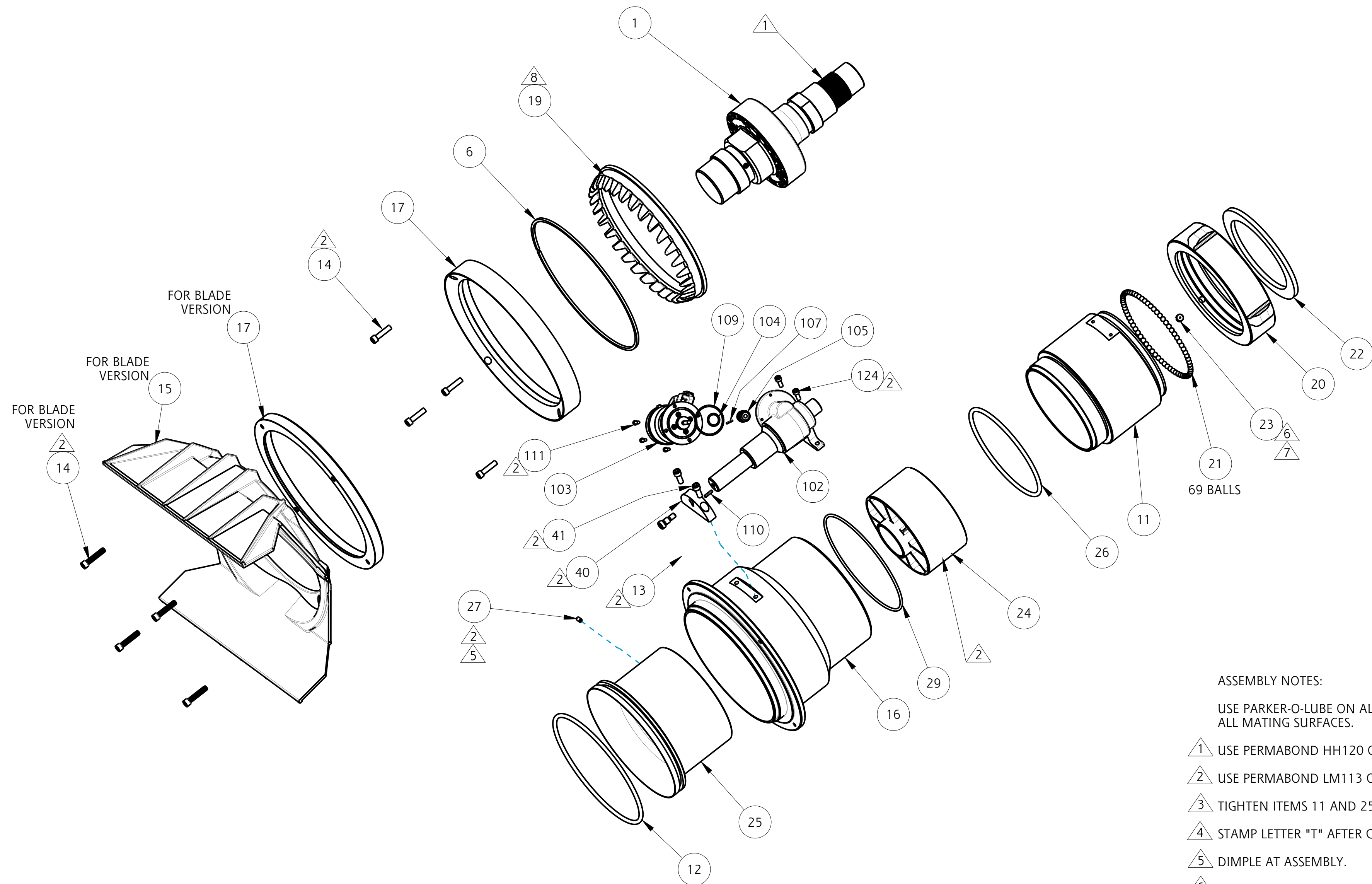




TECHNICAL SERVICE PARTS
 STYLE 3700, 3701
 PRODUCT AEROMASTER 12 NOZZLE

IF AN ITEM IS NOTED AS "NOT FIELD REPAIRABLE", OR YOU WISH TO RETURN AN ITEM TO AKRON BRASS FOR SERVICE PLEASE GO ONLINE TO, ONLINEREPAIR.AKRONBRASS.COM

Chg.	Date
04	03-17
05	01-23



STYLE 3701 ADJUSTABLE BAFFLE

- ASSEMBLY NOTES:
- 1 USE PERMABOND HH120 OR LOCTITE 277.
 - 2 USE PERMABOND LM113 OR LOCTITE 222.
 - 3 TIGHTEN ITEMS 11 AND 25 SO THAT ITEM 24 WILL NOT ROTATE.
 - 4 STAMP LETTER "T" AFTER CALIBRATION.
 - 5 DIMPLE AT ASSEMBLY.
 - 6 THOROUGHLY CLEAN THREADS OF PLUG AND MATING PART AND APPLY LOCTITE 425.
 - 7 ALIGN BALL IN HOLE. TIGHTEN PLUG UNTIL TOUCHES BALL. THEN BACK OUT 1/4-1/2 TURN.
 - 8 TURBINE TEETH TO BE CUT AT ASSEMBLY.

PHONE: 800.228.1161 | www.akronbrass.com

WARRANTY AND DISCLAIMER*: We warrant Akron Brass products for a period of five (5) years* after purchase against defects in materials or workmanship. Akron Brass will repair or replace product which fails to satisfy this warranty. Repair or replacement shall be at the discretion of Akron Brass. Products must be promptly returned to Akron Brass for warranty service. We will not be responsible for: wear and tear; any improper installation, use, maintenance or storage; negligence of the owner or user; repair or modification after delivery; failure to follow our instructions or recommendations; or anything else beyond our control. WE MAKE NO WARRANTIES, EXPRESS OR IMPLIED, OTHER THAN THOSE INCLUDED IN THIS WARRANTY STATEMENT, AND WE DISCLAIM ANY IMPLIED WARRANTY OF MERCHANTABILITY OR FITNESS FOR ANY PARTICULAR PURPOSE. Further, we will not be responsible for any consequential, incidental or indirect damages (including, but not limited to, any loss of profits) from any cause whatsoever. No person has authority to change this warranty. *Unless otherwise provided herein. Akron Brass industrial electronic components & the Severe-Duty Monitor have a one (1) year warranty. Select Akron Brass handline nozzles and valves carry a ten (10) year warranty. Scene Star Lights carry a (6) year warranty. Weldon products have a two (2) year warranty from date of manufacture (excluding consumable components). Select Weldon LED products carry a five (5) year warranty. Honda products have the manufacturers' warranty and Akron Brass disclaims any warranty in respect of those products.

© 2016 Akron Brass Company. All rights reserved. No portion of this can be reproduced without the express written consent of the Akron Brass Company.

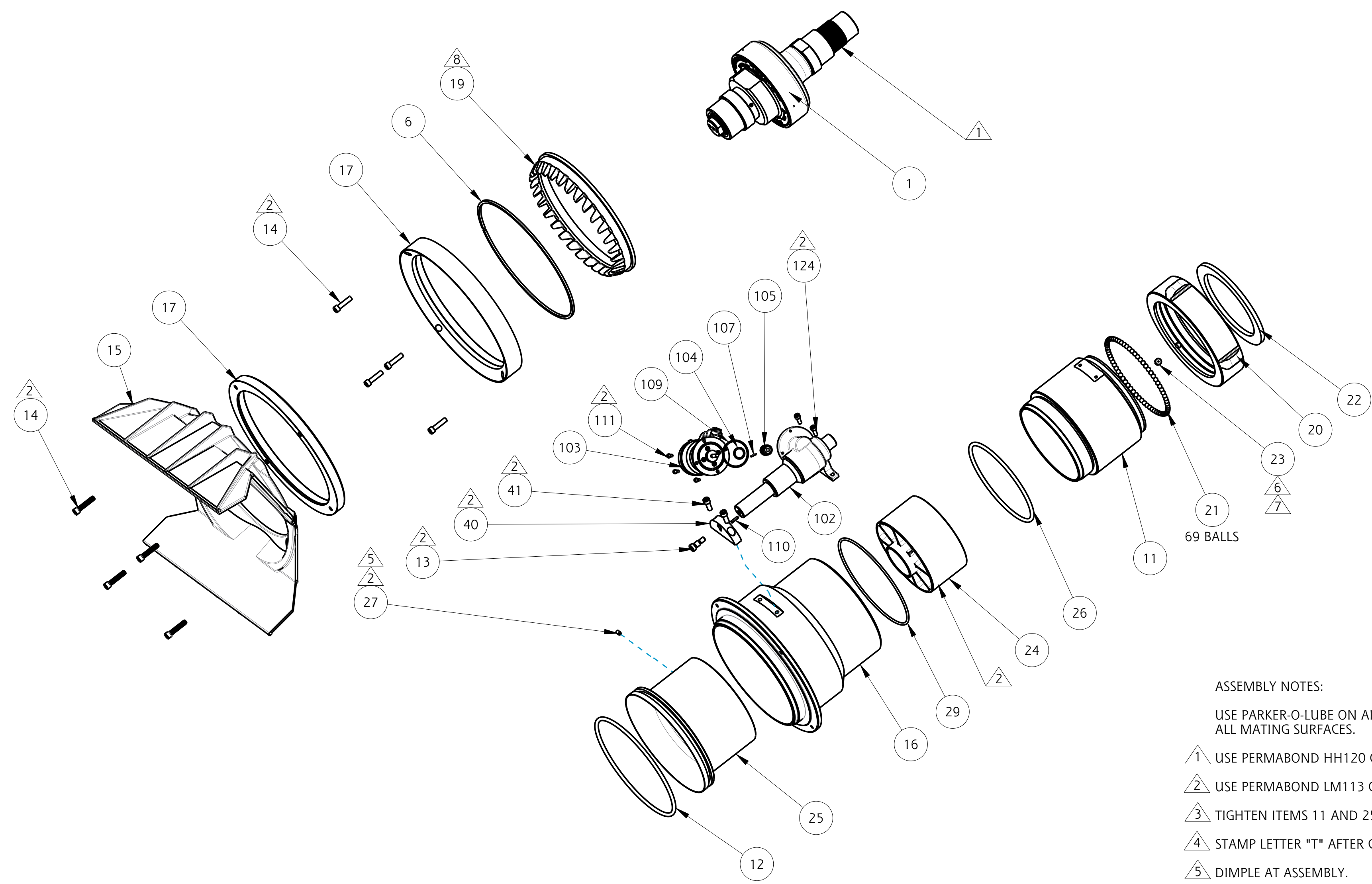
Parts List Sheet:
 126353
 D48314



TECHNICAL SERVICE PARTS
 STYLE 3700, 3701
 PRODUCT AEROMASTER 12 NOZZLE

IF AN ITEM IS NOTED AS "NOT FIELD REPAIRABLE", OR YOU WISH TO RETURN AN ITEM TO AKRON BRASS FOR SERVICE PLEASE GO ONLINE TO, ONLINEREPAIR.AKRONBRASS.COM

Chg.	Date
04	03-17
05	01-23



STYLE 3700 AUTOMATIC BAFFLE

- ASSEMBLY NOTES:
- USE PARKER-O-LUBE ON ALL O-RINGS AND ALL MATING SURFACES.
 - 1 USE PERMABOND HH120 OR LOCTITE 277.
 - 2 USE PERMABOND LM113 OR LOCTITE 222.
 - 3 TIGHTEN ITEMS 11 AND 25 SO THAT ITEM 24 WILL NOT ROTATE.
 - 4 STAMP LETTER "T" AFTER CALIBRATION.
 - 5 DIMPLE AT ASSEMBLY.
 - 6 THOROUGHLY CLEAN THREADS OF PLUG AND MATING PART AND APPLY LOCTITE 425.
 - 7 ALIGN BALL IN HOLE. TIGHTEN PLUG UNTIL TOUCHES BALL. THEN BACK OUT 1/4-1/2 TURN.
 - 8 TURBINE TEETH TO BE CUT AT ASSEMBLY.

PHONE: 800.228.1161 | www.akronbrass.com

WARRANTY AND DISCLAIMER*: We warrant Akron Brass products for a period of five (5) years* after purchase against defects in materials or workmanship. Akron Brass will repair or replace product which fails to satisfy this warranty. Repair or replacement shall be at the discretion of Akron Brass. Products must be promptly returned to Akron Brass for warranty service. We will not be responsible for: wear and tear; any improper installation, use, maintenance or storage; negligence of the owner or user; repair or modification after delivery; failure to follow our instructions or recommendations; or anything else beyond our control. WE MAKE NO WARRANTIES, EXPRESS OR IMPLIED, OTHER THAN THOSE INCLUDED IN THIS WARRANTY STATEMENT, AND WE DISCLAIM ANY IMPLIED WARRANTY OF MERCHANTABILITY OR FITNESS FOR ANY PARTICULAR PURPOSE. Further, we will not be responsible for any consequential, incidental or indirect damages (including, but not limited to, any loss of profits) from any cause whatsoever. No person has authority to change this warranty. *Unless otherwise provided herein. Akron Brass industrial electronic components & the Severe-Duty Monitor have a one (1) year warranty. Select Akron Brass handline nozzles and valves carry a ten (10) year warranty. Scene Star Lights carry a (6) year warranty. Weldon products have a two (2) year warranty from date of manufacture (excluding consumable components). Select Weldon LED products carry a five (5) year warranty. Honda products have the manufacturers' warranty and Akron Brass disclaims any warranty in respect of those products.

© 2016 Akron Brass Company. All rights reserved. No portion of this can be reproduced without the express written consent of the Akron Brass Company.

Parts List Sheet:
 126353
 D48314



TECHNICAL SERVICE PARTS
 STYLE 3700, 3701
 PRODUCT AEROMASTER 12 NOZZLE

IF AN ITEM IS NOTED AS "NOT FIELD REPAIRABLE", OR YOU WISH TO RETURN AN ITEM TO AKRON BRASS FOR SERVICE PLEASE GO ONLINE TO, **ONLINEREPAIR.AKRONBRASS.COM**

Chg.	Date
04	03-17
05	01-23

FIND	DESCRIPTION	ITEM	QTY L/BLADES		QTY W/BLADES	
			3700	3701	3700	3701
1	BAFFLE ASSEMBLY 1585/3200 GPM @ 150/230 PSI	37000005	1	-	1	-
1	BAFFLE ASSEMBLY 3700 GPM @ 120 PSI	37010008	-	1	-	1
1	BAFFLE ASSEMBLY 3200 GPM @ 150 PSI	37010009	-	1	-	1
6	BEARING-TURBINE TEETH	803269	1	1	1	1
11	NOZZLE BODY	126219	1	1	1	1
12	O-RING 2-364	757500	1	1	1	1
13	SHOULDER SCREW	767131	1	1	1	1
14	SOCKET HEAD CAP SCREW 1-1/4"	765277	-	-	4	4
14	SOCKET HEAD CAP SCREW 1"	767003	4	4	-	-
15	BLADE PAINTED WHITE	126223	-	-	2	2
16	PATTERN SLEEVE PAINTED RED	126243	1	1	1	1
17	TURBINE RETAINING RING F/BLADES	126216	-	-	1	1
17	TURBINE RETAINING RING	126222	1	1	-	-
19	TURBINE TEETH	772310	1	1	1	1
20	SWIVEL 4 1/2" NH	104016	1	1	1	1
21	* BALL ST STL Ø 1/4"	-	69	69	69	69
22	SWIVEL GASKET	714025	1	1	1	1
23	SWIVEL PLUG	742023	1	1	1	1
24	STREAM SHAPER	126217	1	1	1	1
25	THROAT	126160	1	1	1	1
26	O-RING 2-357	757316	1	1	1	1
27	SET SCREW 10-24 X 5/16"	765040	1	1	1	1
29	BEARING	803207	1	1	1	1

FIND	DESCRIPTION	ITEM	QTY L/BLADES		QTY W/BLADES	
			3700	3701	3700	3701
40	ACTUATOR BLOCK	122340	1	1	1	1
41	SCREW 1/4-20 X 5/8"	765029	2	2	2	2
102	ACTUATOR ASSEMBLY	51782008	1	1	1	1
103	12V MOTOR SUBASSY W/DEUTCH	33560006	1	1	1	1
103	24V MOTOR SUBASSY W/DEUTCH	33560008	1	1	1	1
104	** O-RING 2-015	757112	1	1	1	1
105	** WORM PATT ACTUATOR	785021	1	1	1	1
107	** PIN ROLL 1/16" X 3/8"	744341	1	1	1	1
109	** O-RING 2-029	757056	1	1	1	1
110	*** PIN ROLL 1/8" X 1/2" ST STL	744288	1	1	1	1
111	** SCREW #6-32 X 1/2"	765150	4	4	4	4
124	SCREW #10-24 x 1/2"	763038	2	2	2	2

* KIT OF 50 BALLS: 123074
 ** INCLUDED IN MOTOR SUBASSEMBLY #103
 *** INCLUDED IN ACTUATOR ASSEMBLY #102

PHONE: 800.228.1161 | www.akronbrass.com

WARRANTY AND DISCLAIMER*: We warrant Akron Brass products for a period of five (5) years* after purchase against defects in materials or workmanship. Akron Brass will repair or replace product which fails to satisfy this warranty. Repair or replacement shall be at the discretion of Akron Brass. Products must be promptly returned to Akron Brass for warranty service. We will not be responsible for: wear and tear; any improper installation, use, maintenance or storage; negligence of the owner or user; repair or modification after delivery; failure to follow our instructions or recommendations; or anything else beyond our control. **WE MAKE NO WARRANTIES, EXPRESS OR IMPLIED, OTHER THAN THOSE INCLUDED IN THIS WARRANTY STATEMENT, AND WE DISCLAIM ANY IMPLIED WARRANTY OF MERCHANTABILITY OR FITNESS FOR ANY PARTICULAR PURPOSE.** Further, we will not be responsible for any consequential, incidental or indirect damages (including, but not limited to, any loss of profits) from any cause whatsoever. No person has authority to change this warranty. *Unless otherwise provided herein. Akron Brass industrial electronic components & the Severe-Duty Monitor have a one (1) year warranty. Select Akron Brass handline nozzles and valves carry a ten (10) year warranty. Scene Star Lights carry a (6) year warranty. Weldon products have a two (2) year warranty from date of manufacture (excluding consumable components). Select Weldon LED products carry a five (5) year warranty. Honda products have the manufacturers' warranty and Akron Brass disclaims any warranty in respect of those products.
 © 2016 Akron Brass Company. All rights reserved. No portion of this can be reproduced without the express written consent of the Akron Brass Company.

Parts List Sheet:
126353
 D48314